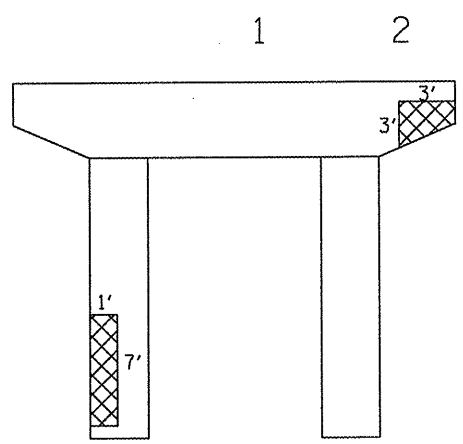
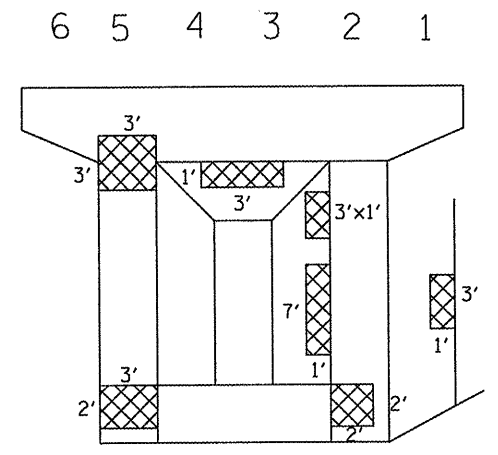


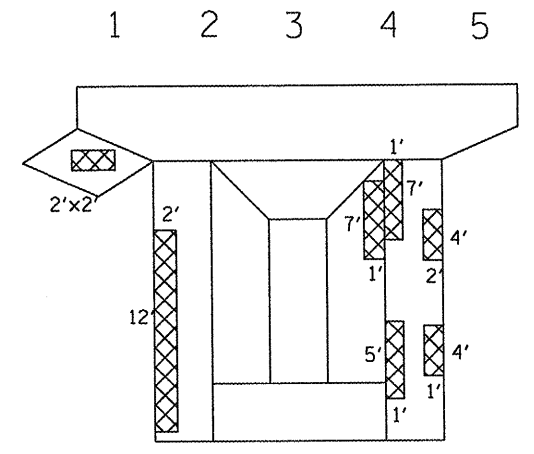
016-2450: I-290 WB RAMP TO I-90, 94 SB/I-90, 94  
 LOCATION: .9 M W. STATE ST.



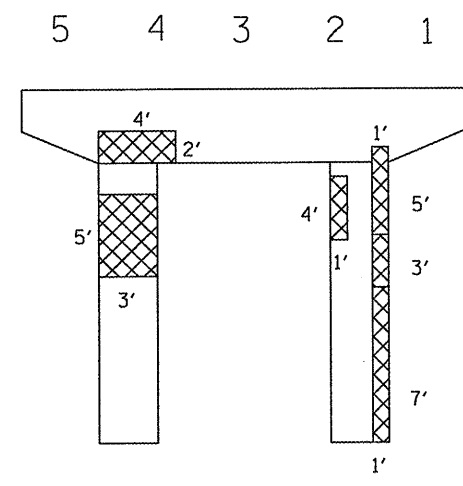
PIER 59 EAST FACE



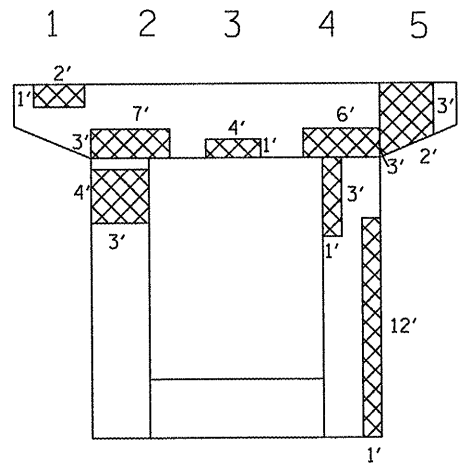
PIER 59 WEST FACE  
 (KENNEDY SIDE OF PIER)



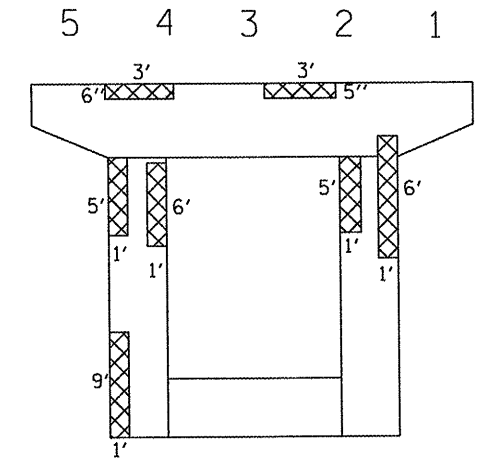
PIER 57 EAST FACE  
 (KENNEDY SIDE OF PIER)



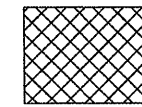
PIER 57 WEST FACE



PIER 56 EAST FACE



PIER 56 WEST FACE



STRUCTURAL REPAIR OF CONCRETE ≤ 5"

FILE NAME =	USER NAME = estimablek	DESIGNED -	REVISED -	<b>STATE OF ILLINOIS DEPARTMENT OF TRANSPORTATION</b>	<b>LOCATION 5</b>		F.A.P. RTE.	SECTION	COUNTY	TOTAL SHEETS	SHEET NO.
ct:\pw\work\PIWIDOT\ESTIMABLEK\d0161538\	81389-shr-plan.dgn	DRAWN -	REVISED -		<b>SN 016-2450: I-290 WB RAMP TO I-90, 94 SB-I-90, 94</b>		VAR.	2009-069 BR	COOK	39	22
PLOT SCALE = 1/8" = 1'-0"		CHECKED -	REVISED -		SCALE:	SHEET NO. 3 OF 7 SHEETS	STA.	TO STA.		<b>CONTRACT NO. 60H77</b>	
PLOT DATE = 1/5/2010		DATE -	REVISED -		ILLINOIS FED. AID PROJECT						