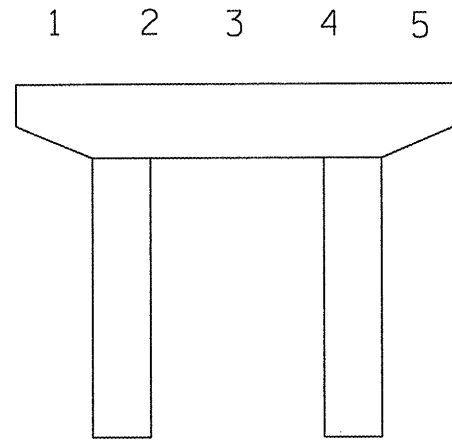
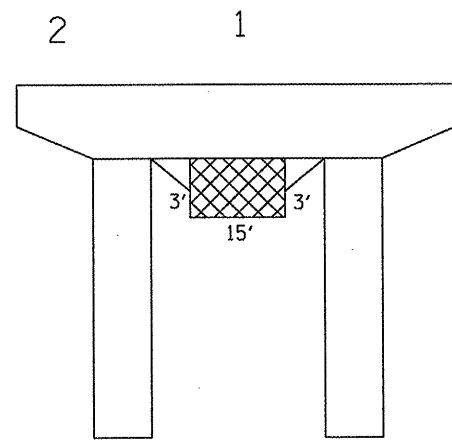


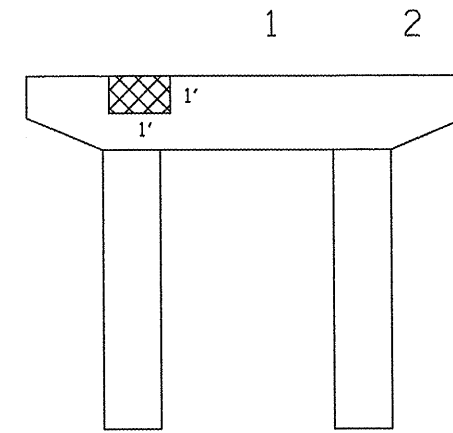
016-2450: I-290 WB RAMP TO I-90, 94 SB/I-90, 94  
 LOCATION: .9 M W. STATE ST.



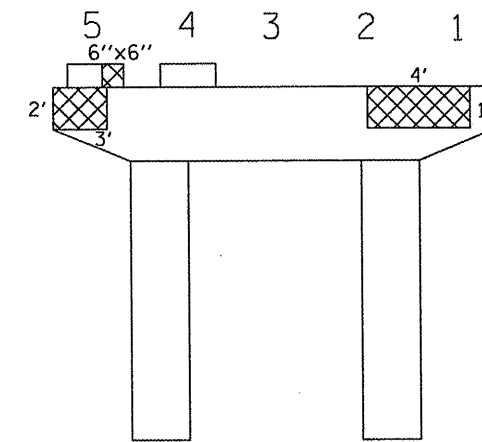
PIER 55 WEST FACE



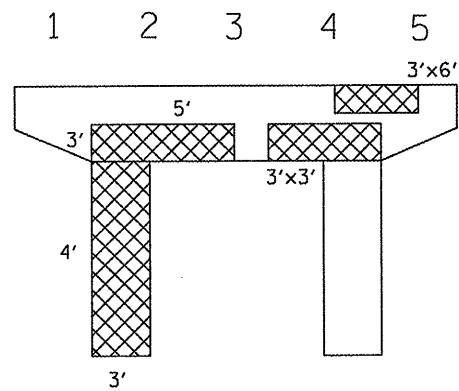
PIER 55 WEST FACE



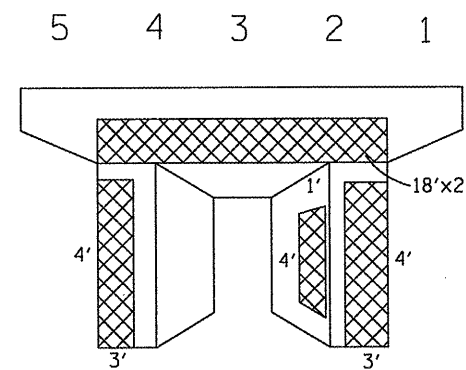
PIER 54 EAST FACE



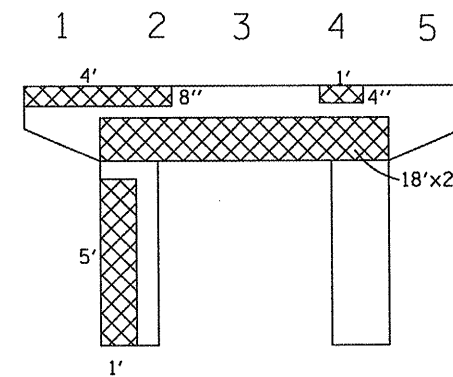
PIER 54 WEST FACE



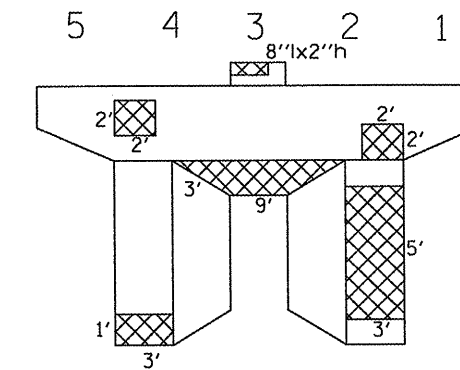
PIER 53 EAST FACE



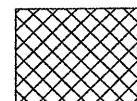
PIER 53 WEST FACE



PIER 52 EAST FACE



PIER 52 WEST FACE



STRUCTURAL REPAIR OF CONCRETE  $\leq$  5"

FILE NAME =	USER NAME = estimablek	DESIGNED -	REVISED -
ct:\pwwork\VP\WIDOT\ESTIMABLEK\0161538\0	91389-sht-plan.dgn	DRAWN -	REVISED -
PLOT SCALE = 100,0000' / IN.	CHECKED -	REVISED -	REVISED -
PLOT DATE = 1/5/2010	DATE -	REVISED -	REVISED -

STATE OF ILLINOIS  
 DEPARTMENT OF TRANSPORTATION

LOCATION 5	
SN 016-2450: I-290 WB RAMP TO I-90, 94 SB/I-90, 94	
SCALE:	SHEET NO. 4 OF 7 SHEETS
STA.	TO STA.

F.A.P. RTE.	SECTION	COUNTY	TOTAL SHEETS	SHEET NO.
VAR.	2009-069 BR	COOK	39	23
CONTRACT NO. 60H77			ILLINOIS FED. AID PROJECT	