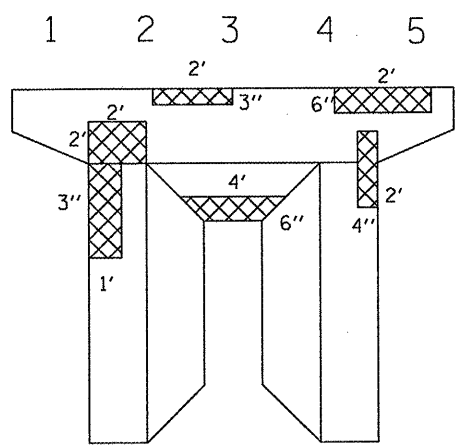
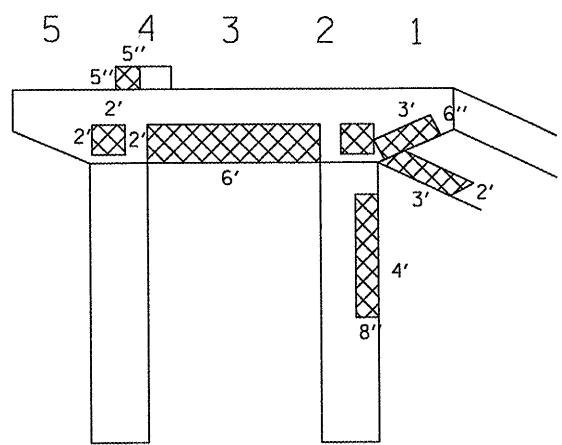


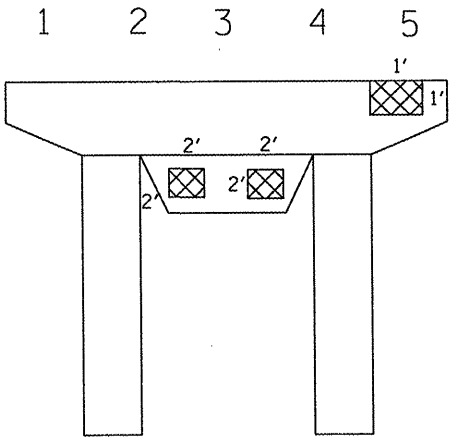
016-2450: I-290 WB RAMP TO I-90, 94 SB/I-90, 94  
 LOCATION: .9 M W. STATE ST.



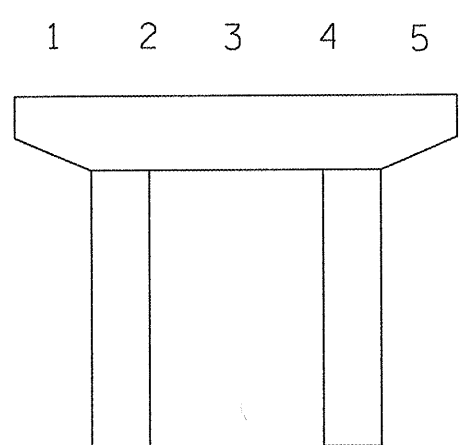
PIER 51 EAST FACE



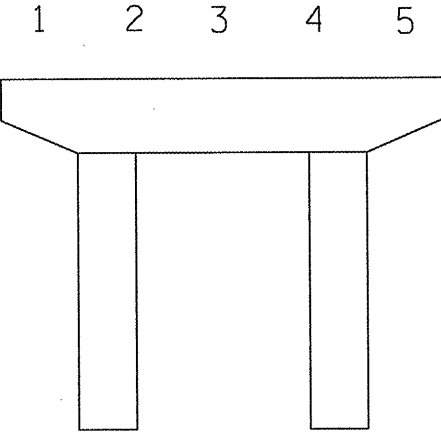
PIER 51 WEST FACE



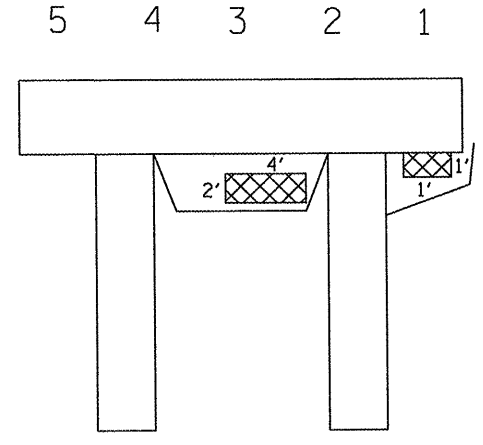
PIER E10 NORTH FACE



PIER E10 SOUTH FACE



PIER E11 NORTH FACE



PIER E11 SOUTH FACE

 STRUCTURAL REPAIR OF CONCRETE  $\leq$  5''

FILE NAME =	USER NAME = estimablek	DESIGNED -	REVISED -	<b>STATE OF ILLINOIS DEPARTMENT OF TRANSPORTATION</b>	<b>LOCATION 5</b>		F.A.P. RTE.	SECTION	COUNTY	TOTAL SHEETS	SHEET NO.
et:\work\p\WIDOT\ESTIMABLEK\00161538\0	01309-shr-plan.dgn	DRAWN -	REVISED -		<b>SN 016-2450: I-290 WB RAMP TO I-90, 94 SB-I-90, 94</b>		VAR.	2009-069 BR	COOK	39	24
		CHECKED -	REVISED -		SCALE:	SHEET NO. 5 OF 7 SHEETS	STA.	<b>CONTRACT NO. 60H77</b>			
		DATE -	REVISED -				TO STA.		ILLINOIS FED. AID PROJECT		