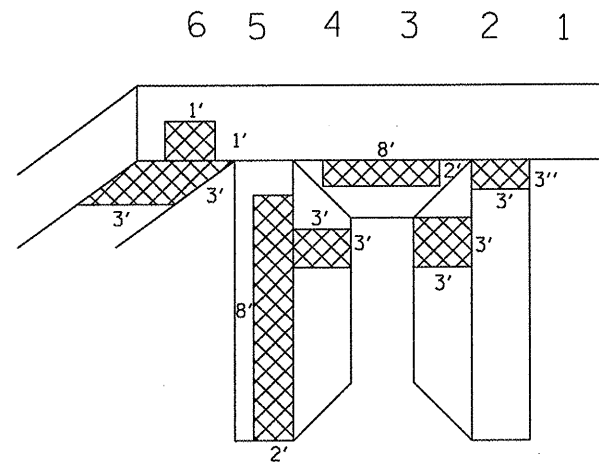
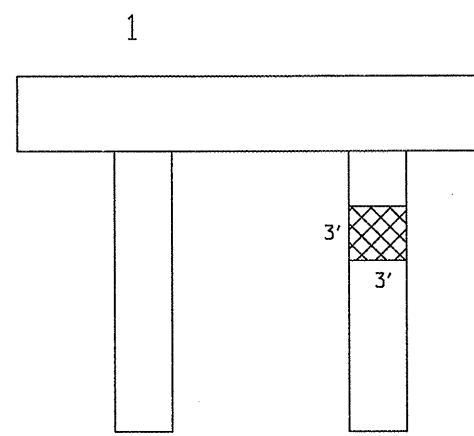


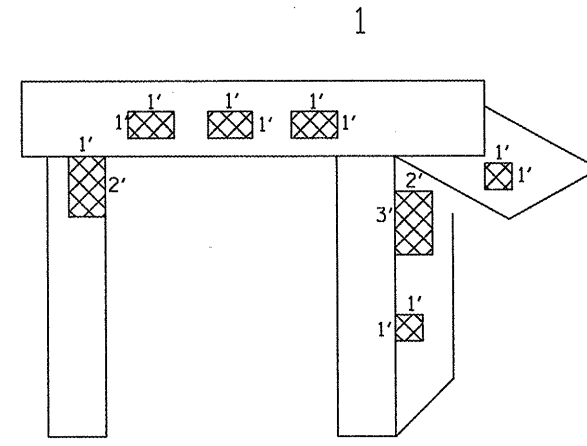
016-2450: I-290 WB RAMP TO I-90, 94 SB/I-90, 94
 LOCATION: .9 M W. STATE ST.



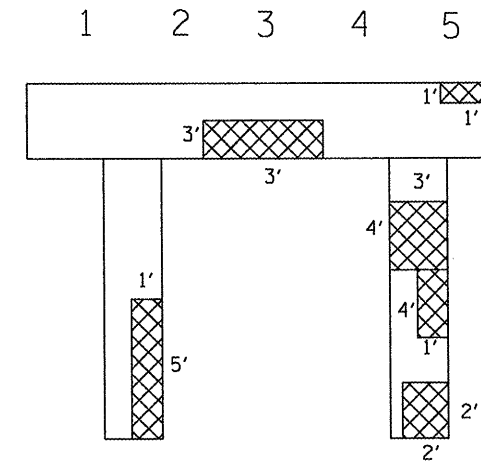
PIER E14 NORTH FACE



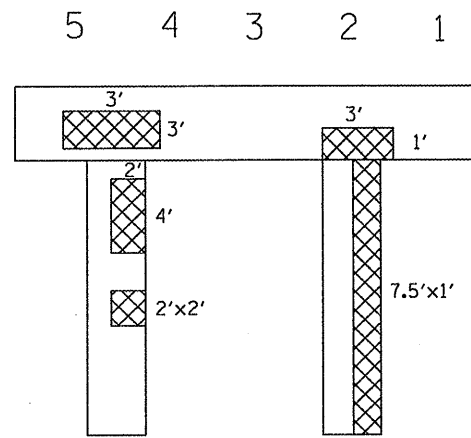
PIER E14 SOUTH FACE



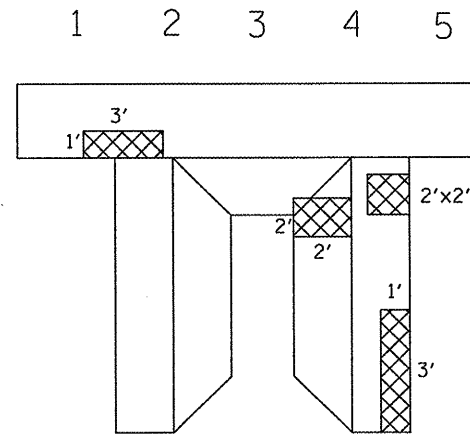
PIER E15 NORTH FACE



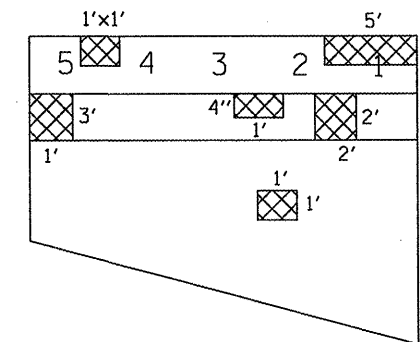
PIER E15 SOUTH FACE



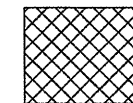
PIER E16 NORTH FACE



PIER 16 SOUTH FACE



ABUTMENT #50



STRUCTURAL REPAIR OF CONCRETE \leq 5"

| | | | |
|--------------------------------------|------------------------------|------------|-----------|
| FILE NAME = | USER NAME = estmablek | DESIGNED - | REVISED - |
| ca:\pwwork\pwwid\ESTMABLEK\0161538\0 | 91389-sht-plan.dgn | DRAWN - | REVISED - |
| | PLOT SCALE = 100.0000' / IN. | CHECKED - | REVISED - |
| | PLOT DATE = 1/5/2010 | DATE - | REVISED - |

STATE OF ILLINOIS
 DEPARTMENT OF TRANSPORTATION

| | |
|--|-------------------------|
| LOCATION 5 | |
| SN 016-2450: I-290 WB RAMP TO I-90, 94 SB-I-90, 94 | |
| SCALE: | SHEET NO. 6 OF 7 SHEETS |
| STA. | TO STA. |

| | | | | |
|---------------------------|-------------|--------|--------------|-----------|
| F.A.P. RTE. | SECTION | COUNTY | TOTAL SHEETS | SHEET NO. |
| VAR. | 2009-069 BR | COOK | 39 | 25 |
| CONTRACT NO. 60H77 | | | | |
| ILLINOIS FED. AID PROJECT | | | | |