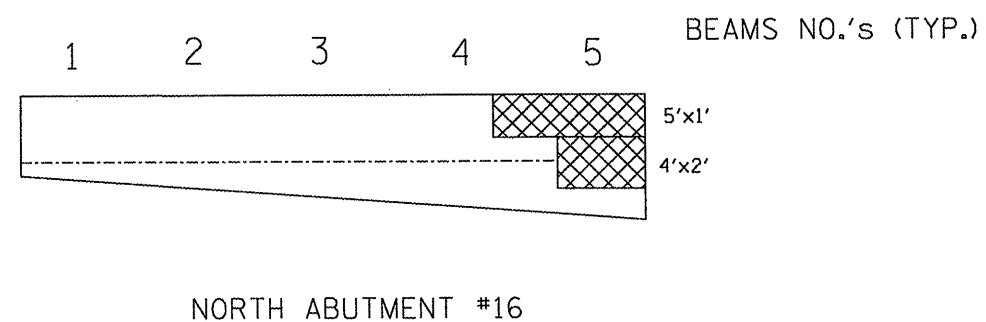
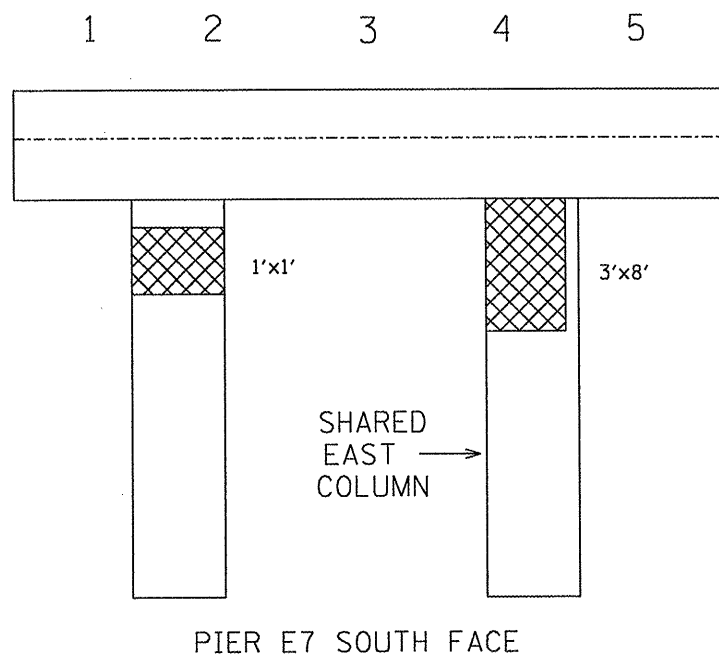
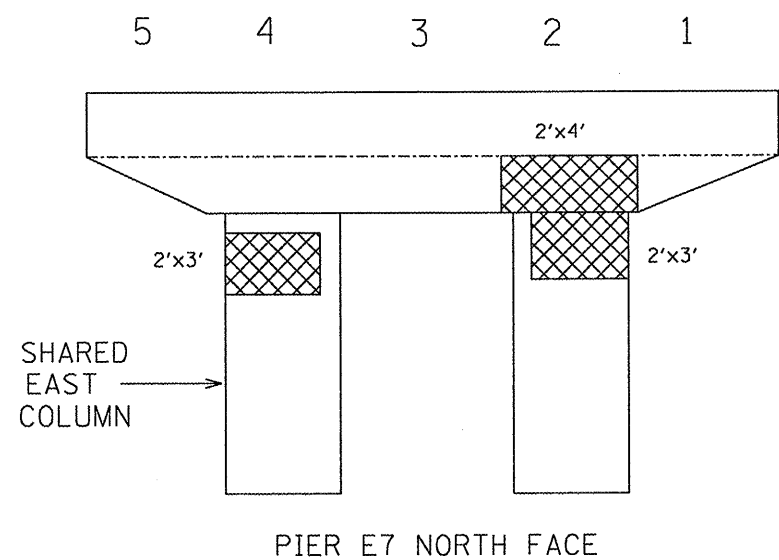


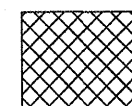
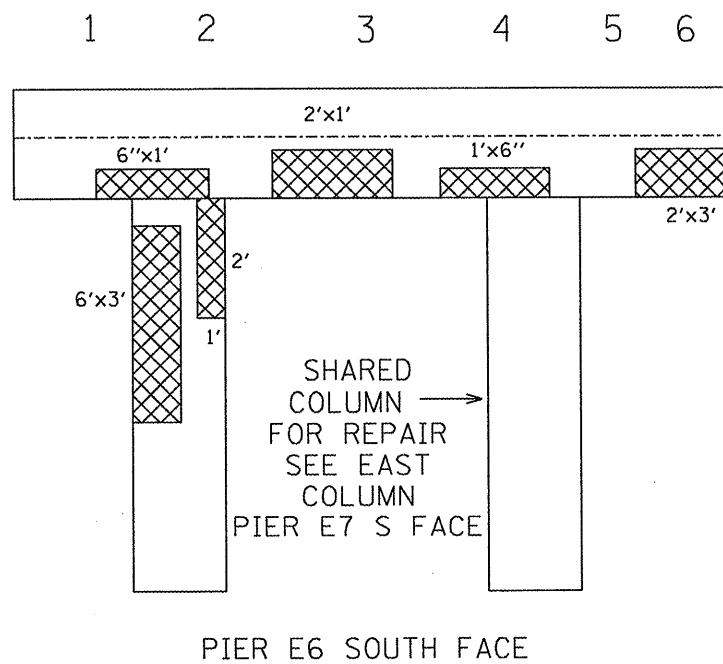
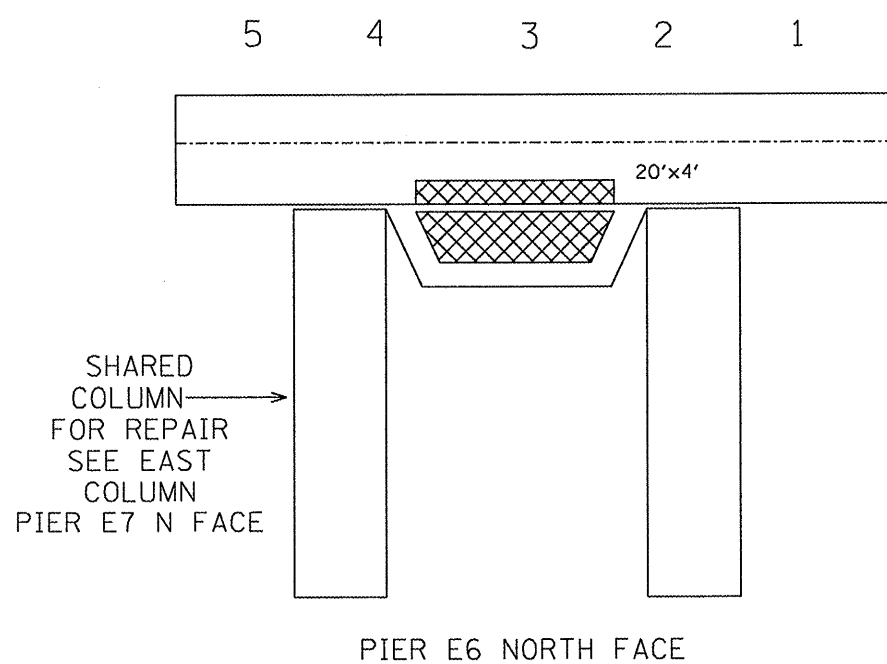
016-2452: I-94 SB RAMP TO I-290 EB/I-290 & I-90,94  
 LOCATION: .1 M SOUTH JACKSON



SN 016-2452 TOTAL BILL OF MATERIAL

DESCRIPTION	UNIT	QUANTITY
CONCRETE REMOVAL	CU. YD	2.9
CONCRETE STRUCTURES	CU. YD	3.0
MECHANICAL SPLICERS	EACH	12
REINFORCEMENT BARS, EPOXY COATED	POUND	1060
STRUCTURE REPAIR OF CONCRETE > 5"	SQ FT	162
STRUCTURE REPAIR OF CONCRETE ≤ 5"	SQ FT	1018
TEMPORARY SHORING AND CRIBBING	L. SUM	1
TEMPORARY SUPPORT SYSTEM	EACH	5

FOR GENERAL NOTES SEE SHEET 8 OF 8



STRUCTURAL REPAIR OF CONCRETE ≤ 5"

FILE NAME =	USER NAME = estimeblek	DESIGNED -	REVISED -	<b>STATE OF ILLINOIS DEPARTMENT OF TRANSPORTATION</b>	<b>LOCATION 7</b>		F.A.P. RTE.	SECTION	COUNTY	TOTAL SHEETS	SHEET NO.
ct:\pwwork\pwwork\estimeblek\d0161538\0161329-shr-plan.dgn		DRAWN -	REVISED -		<b>SN 016-2452: I-94 SB RAMP TO I-290 EB/I-290 &amp; I-90,94</b>		VAR.	2009-069 BR	COOK	39	28
PLOT SCALE = 1/8" = 1' / IN.		CHECKED -	REVISED -		SCALE:	SHEET NO. 1 OF 7 SHEETS	STA.	ILLINOIS FED. AID PROJECT		CONTRACT NO. 60H77	
PLOT DATE = 1/5/2010		DATE -	REVISED -				TO STA.				