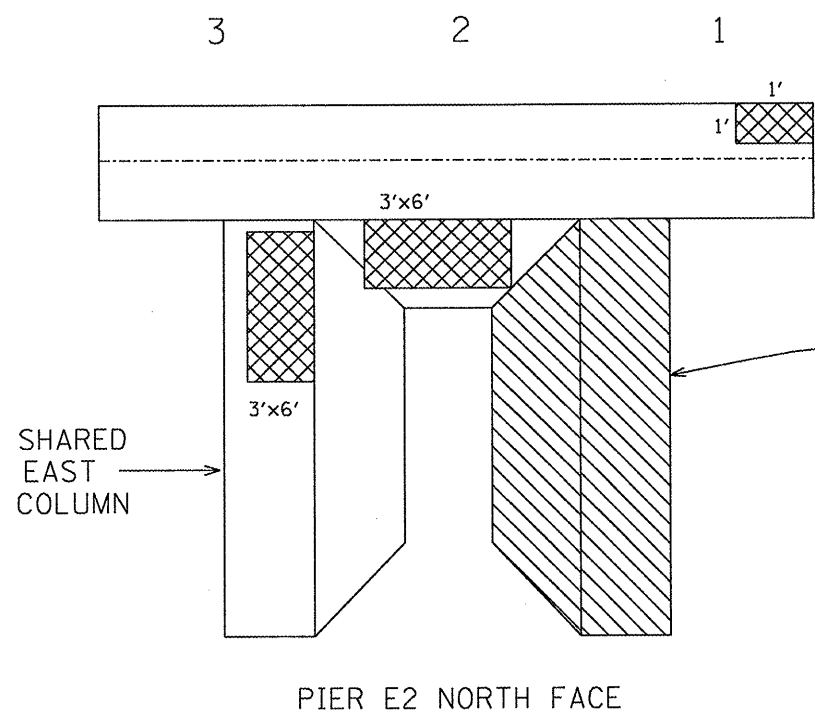
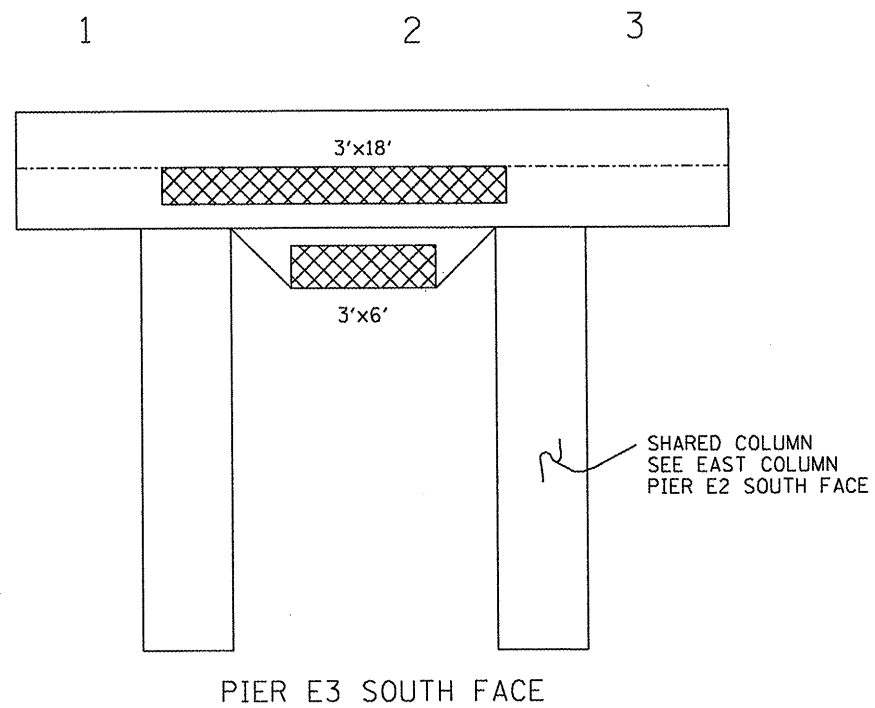
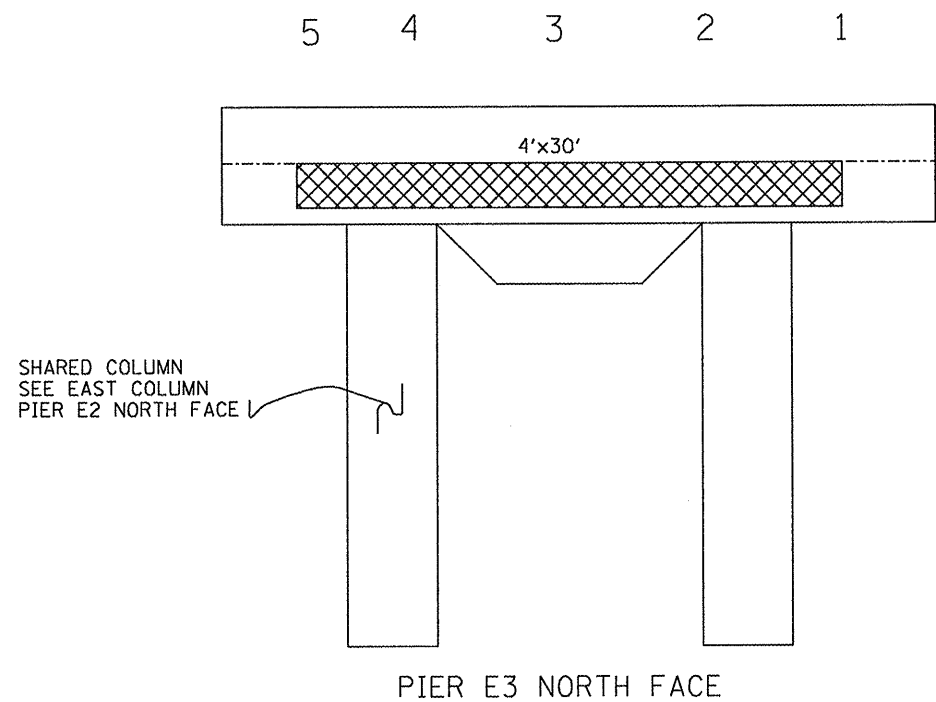
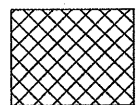
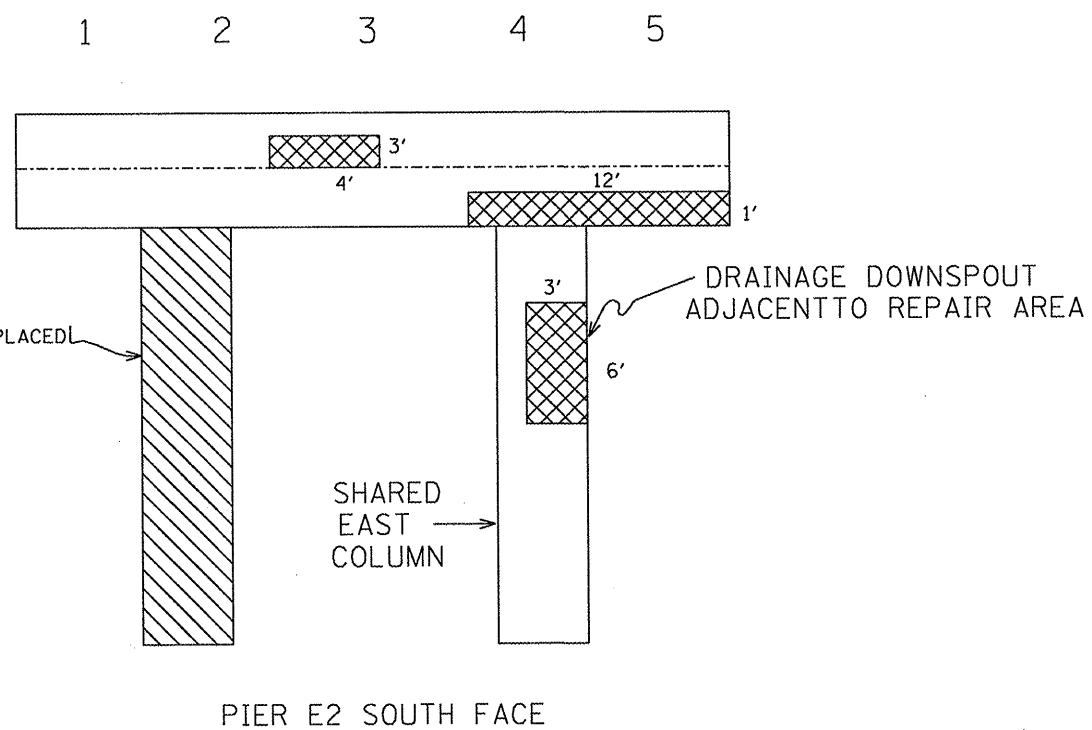


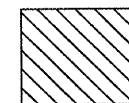
016-2452: I-94 SB RAMP TO I-290 EB/I-290 & I-90,94
 LOCATION: .1 M SOUTH JACKSON



COLUMN TO BE REMOVED & REPLACED
 SEE SHEET 8 OF 8 FOR DETAILS



STRUCTURAL REPAIR OF CONCRETE \leq 5"



CONCRETE REMOVAL &
 CONCRETE STRUCTURES

FILE NAME =	USER NAME = estimablek	DESIGNED -	REVISED -
est\pwork\pwidot\ESTIMABLEK\d0161538\0	01309-sht-plan.dgn	DRAWN -	REVISED -
	PLOT SCALE = 100.0000' / IN.	CHECKED -	REVISED -
	PLOT DATE = 1/5/2010	DATE -	REVISED -

STATE OF ILLINOIS
 DEPARTMENT OF TRANSPORTATION

LOCATION 7	
016-2452: I-94 SB RAMP TO I-290 EB-I-290 & I-90,94	
SCALE:	SHEET NO. 2 OF 7 SHEETS
STA.	TO STA.

F.A.P. RTE.	SECTION	COUNTY	TOTAL SHEETS	SHEET NO.
VAR.	2009-069 BR	COOK	39	29
CONTRACT NO. 60H77				
ILLINOIS FED. AID PROJECT				