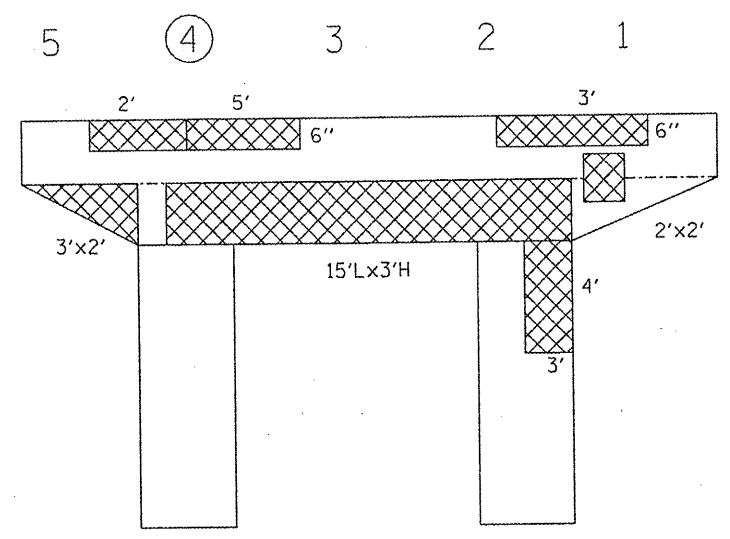
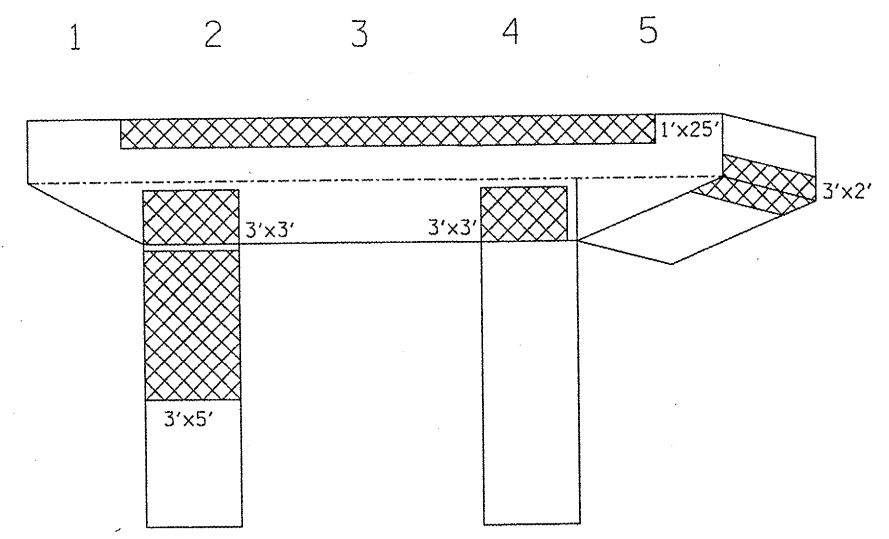


016-2452: I-94 SB RAMP TO I-290 EB/I-290 & I-90,94
 LOCATION: .1 M SOUTH JACKSON

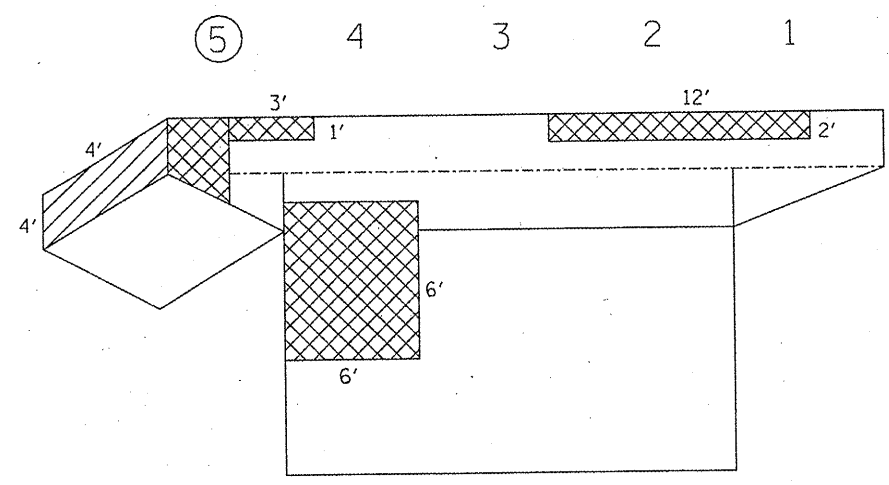


PIER 15 WEST FACE

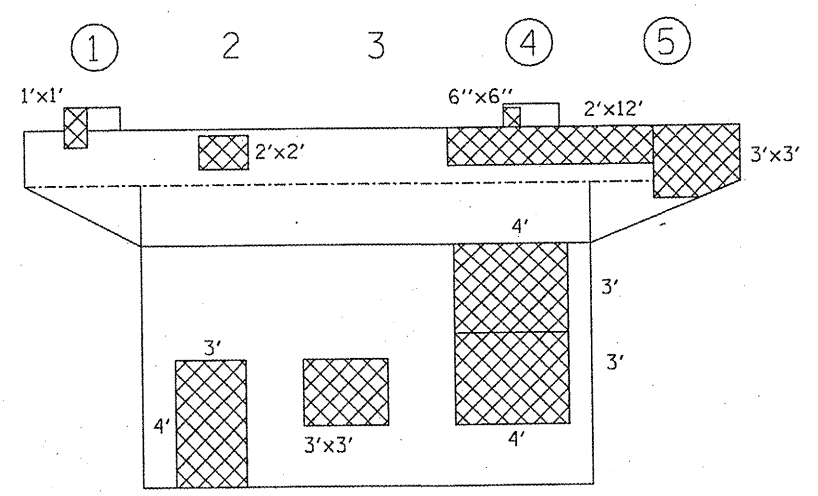


PIER 15 EAST FACE

REACTIONS		
	Pier 14	Pier 15
R DL (k)	41.6	41.6
R LL (k)	33.3	33.3
R Imp (k)	9	9
T Total (k)	83.9	83.9



PIER 14 WEST FACE



PIER 14 EAST FACE

○ BEAM NO. REQUIRING TEMPORARY SUPPORT SYSTEM

 STRUCTURE REPAIR OF CONCRETE > 5"

 STRUCTURE REPAIR OF CONCRETE ≤ 5"