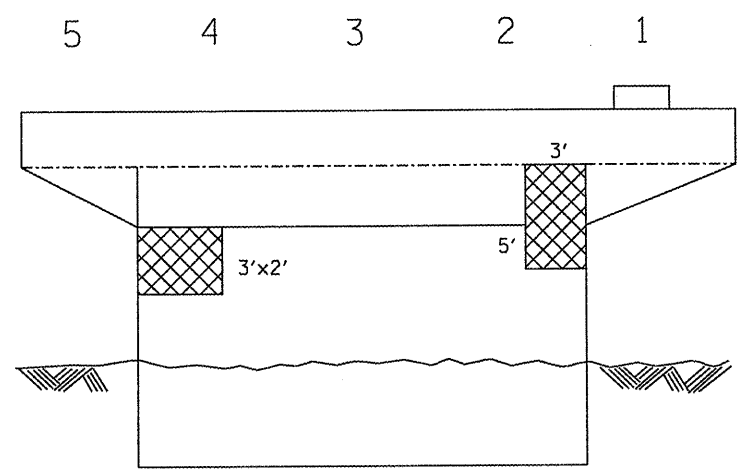
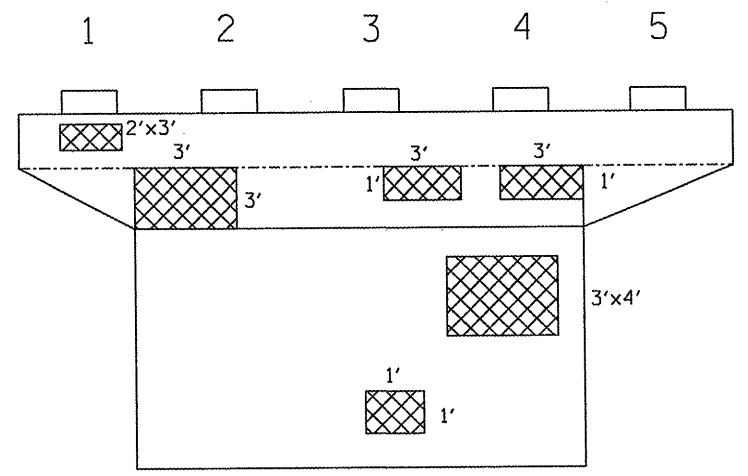


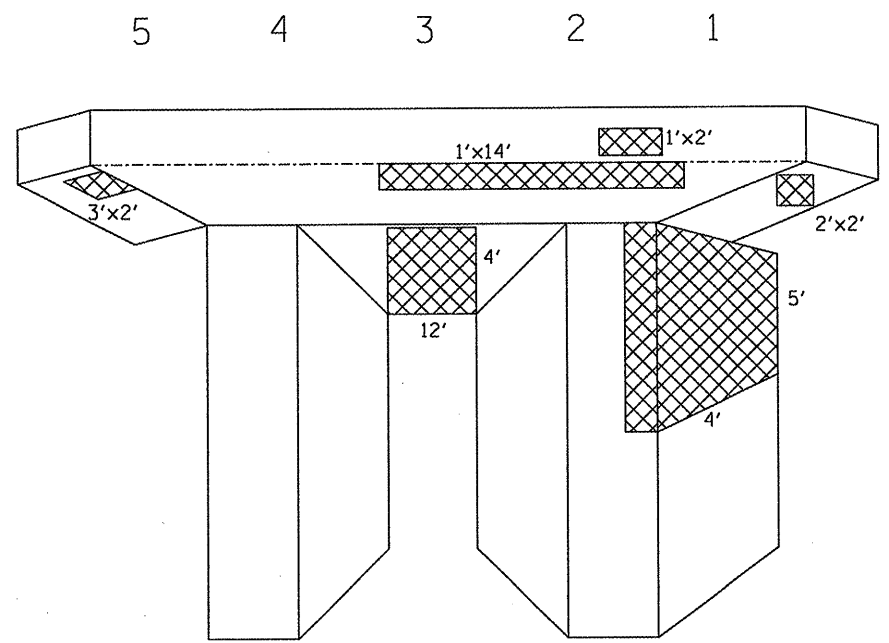
016-2452: I-94 SB RAMP TO I-290 EB/I-290 & I-90,94  
 LOCATION: .1 M SOUTH JACKSON



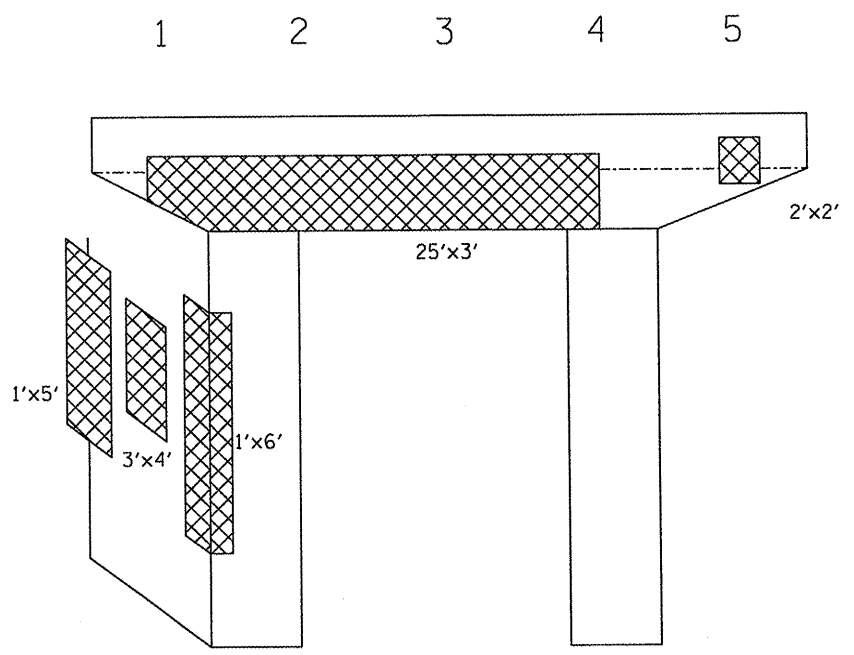
PIER 13 WEST FACE



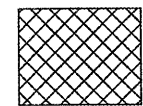
PIER 13 EAST FACE



PIER 12 WEST FACE



PIER 12 EAST FACE



STRUCTURE REPAIR OF CONCRETE ≤ 5"

FILE NAME =	USER NAME = estmablek	DESIGNED -	REVISED -	<b>STATE OF ILLINOIS DEPARTMENT OF TRANSPORTATION</b>	<b>LOCATION 7</b>		F.A.P. RTE.	SECTION	COUNTY	TOTAL SHEETS	SHEET NO.
cr:\pw\work\VPWIDOT\ESTIMABLEK\d0161538\	81389-sht-plan.dgn	DRAWN -	REVISED -		<b>016-2452: I-94 SB RAMP TO I-290 EB/I-290 &amp; I-90,94</b>		VAR.	2009-069 BR	COOK	39	31
PLOT SCALE = 100.0000' / IN.		CHECKED -	REVISED -		SCALE:	SHEET NO. 4 OF 7 SHEETS	STA.			<b>CONTRACT NO. 60H77</b>	
PLOT DATE = 1/5/2010		DATE -	REVISED -								ILLINOIS FED. AID PROJECT