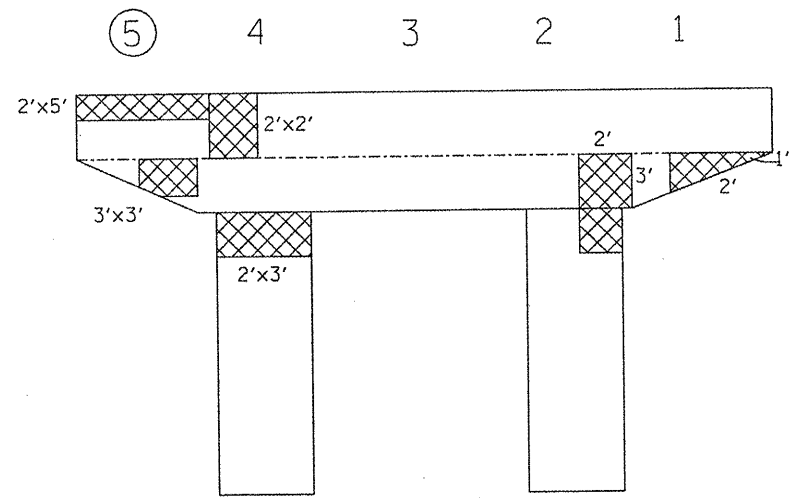
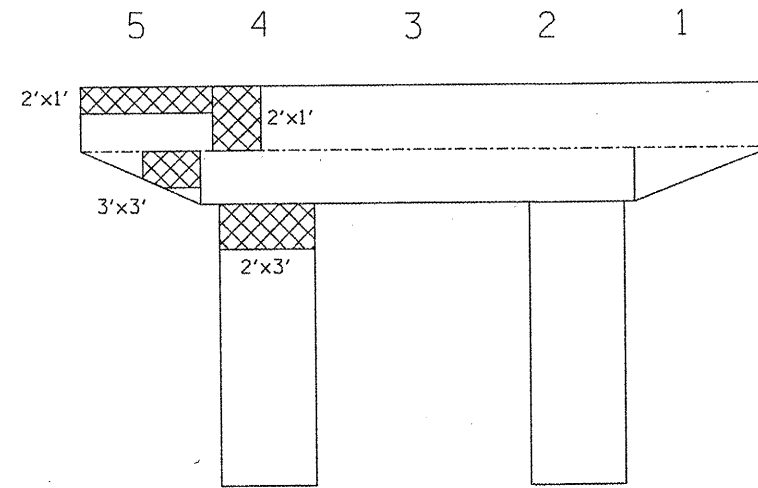


016-2452: I-94 SB RAMP TO I-290 EB/I-290 & I-90,94
 LOCATION: .1 M SOUTH JACKSON

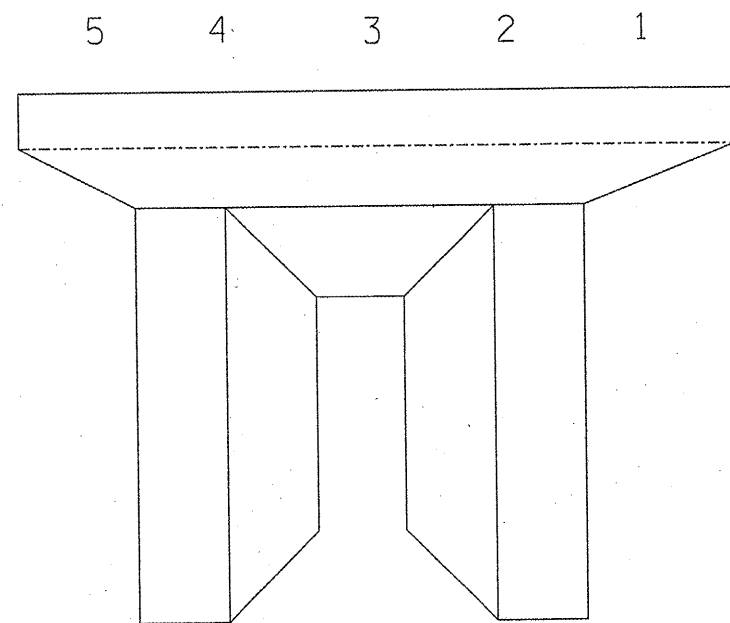


PIER 11 WEST FACE

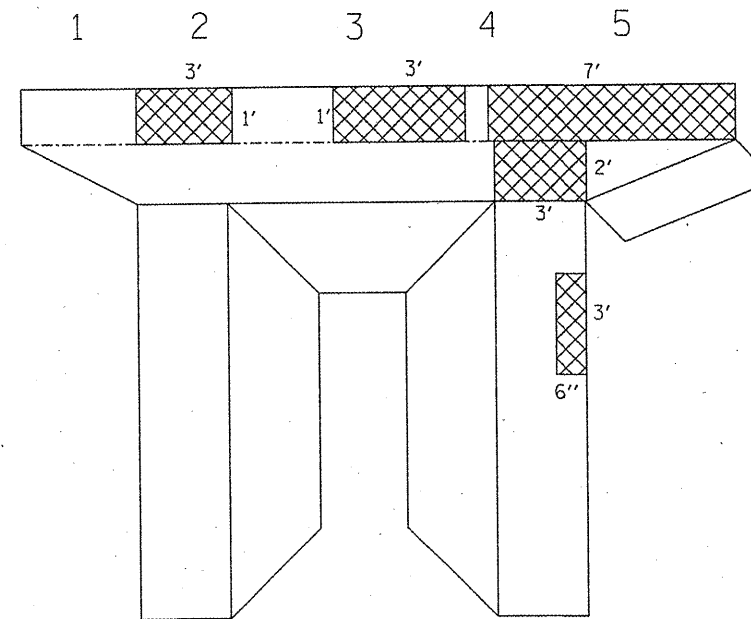
REACTIONS	
	PIER 11
	West
R DL (k)	32.8
R LL (k)	33.7
R Imp (k)	9.8
T Total (k)	76.3



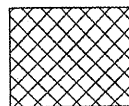
PIER 11 EAST FACE



PIER 10 WEST FACE



PIER 10 EAST FACE



STRUCTURE REPAIR OF CONCRETE \leq 5"



BEAM NO. REQUIRING TEMPORARY SUPPORT SYSTEM

FILE NAME =	USER NAME = estumalek	DESIGNED -	REVISED -
c:\pwwork\FWID001\ESTIMABLEK\d0161538\0	B1309-sht-plan.dgn	DRAWN -	REVISED -
PLOT SCALE = 100.0000 1 / IN.	CHECKED -	REVISED -	REVISED -
PLOT DATE = 1/5/2010	DATE -	REVISED -	REVISED -

STATE OF ILLINOIS
 DEPARTMENT OF TRANSPORTATION

LOCATION 7	
016-2452: I-94 SB RAMP TO I-290 EB/I-290 & I-90,94	
SCALE:	TO STA.
SHEET NO. 5 OF 7 SHEETS	

F.A.P. RTE.	SECTION	COUNTY	TOTAL SHEETS	SHEET NO.
VAR.	2009-069 BR	COOK	39	32
CONTRACT NO. 60H77			ILLINOIS FED. AID PROJECT	