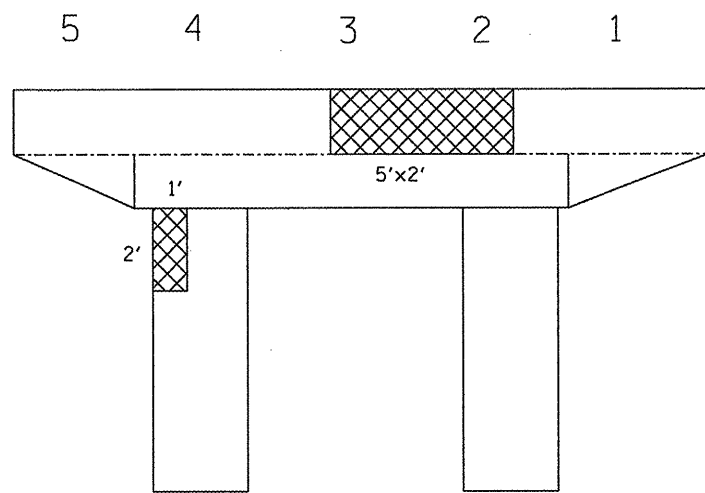
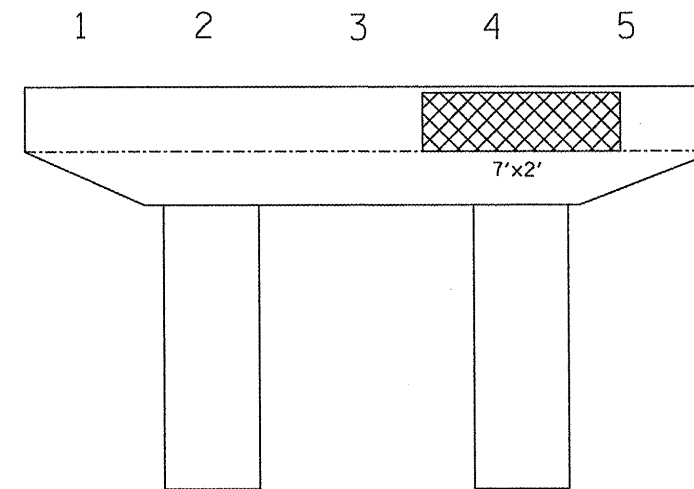


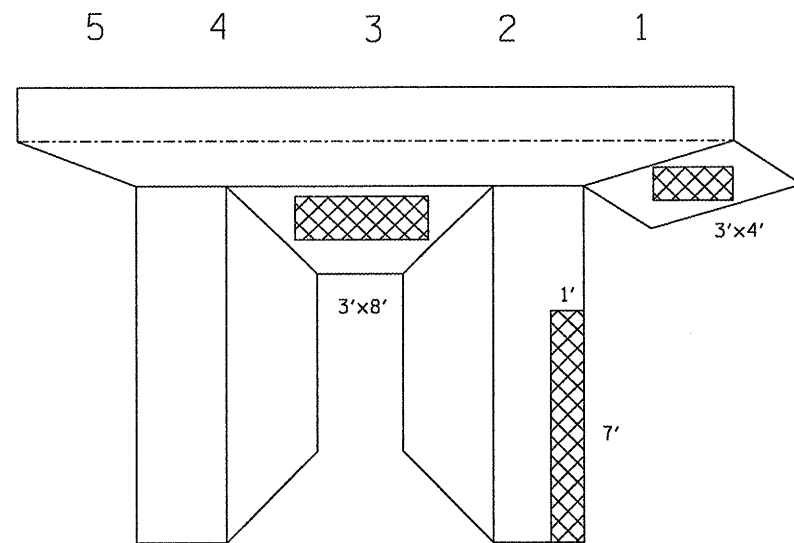
016-2452: I-94 SB RAMP TO I-290 EB/I-290 & I-90,94
 LOCATION: .1 M SOUTH JACKSON



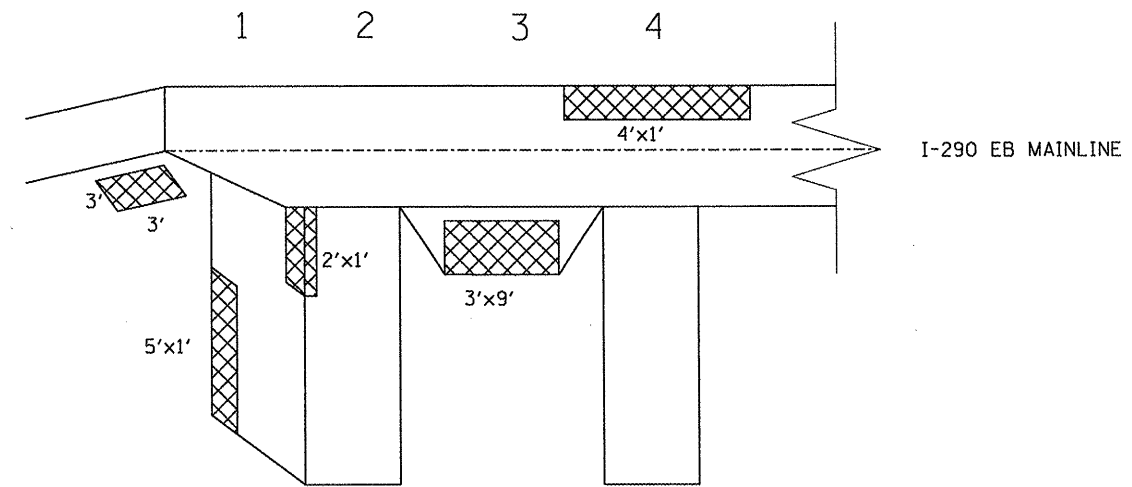
PIER 9 WEST FACE



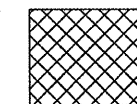
PIER 9 EAST FACE



PIER E1 WEST FACE



PIER E1 EAST FACE



STRUCTURAL REPAIR OF CONCRETE \leq 5"

FILE NAME =	USER NAME = eastimablek	DESIGNED -	REVISED -
ct\pwork\PWIDOT\ESTIMABLEK\0161538\01309-sht-plan.dgn		DRAWN -	REVISED -
PLOT SCALE = 100.0000' / IN.		CHECKED -	REVISED -
PLOT DATE = 1/5/2010		DATE -	REVISED -

STATE OF ILLINOIS
 DEPARTMENT OF TRANSPORTATION

LOCATION 7
 016-2452: I-94 SB RAMP TO I-290 EB/I-290 & I-90,94

SCALE: SHEET NO. 6 OF 7 SHEETS STA. TO STA.

F.A.P. RTE.	SECTION	COUNTY	TOTAL SHEETS	SHEET NO.
VAR.	2009-069 BR	COOK	39	33
CONTRACT NO. 60H77			ILLINOIS FED. AID PROJECT	