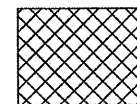
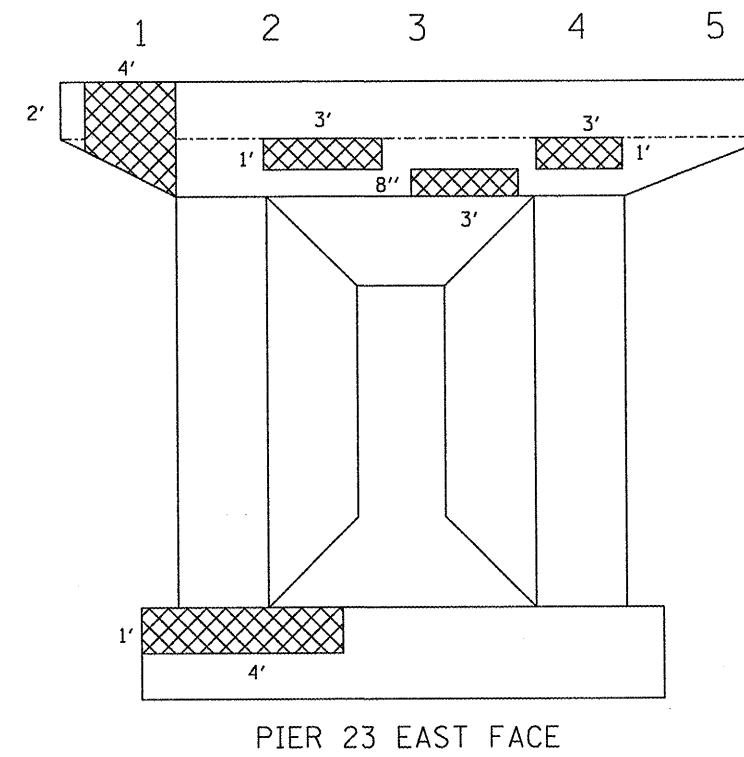
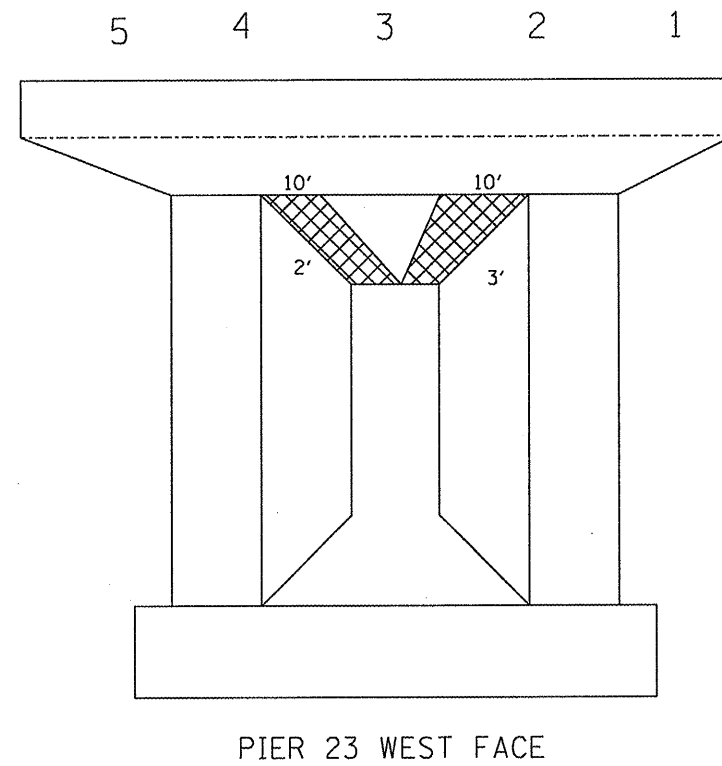
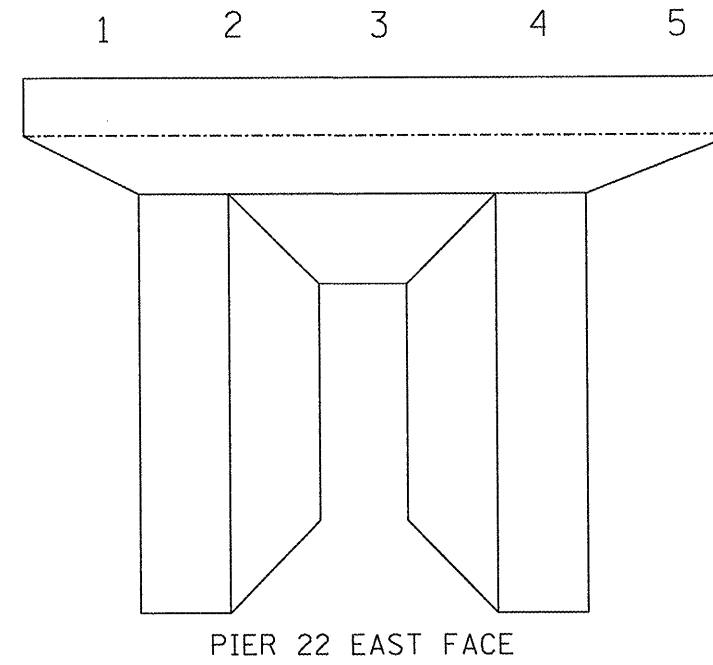
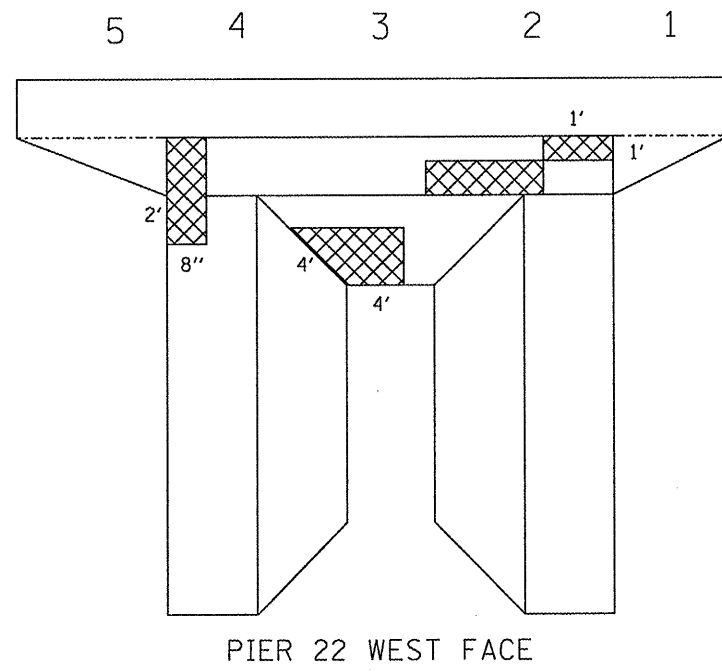


016-2453: I-290 EB RAMP TO I-90, 94 NB/I-90, 94
 LOCATION: .5 M E. RACINE AVE



STRUCTURAL REPAIR OF CONCRETE \leq 5"

FILE NAME =	USER NAME = estimablek	DESIGNED -	REVISED -
est\pwwork\VPWIDOT\ESTIMABLEK\d0161538\d	81389-sht-plan.dgn	DRAWN -	REVISED -
	PLOT SCALE = 100.0000 ' / IN.	CHECKED -	REVISED -
	PLOT DATE = 1/5/2010	DATE -	REVISED -

STATE OF ILLINOIS
 DEPARTMENT OF TRANSPORTATION

LOCATION 8	
SN 016-2453: I-290 EB RAMP TO I-90, 94 NB/I-90, 94	
SCALE:	SHEET NO. 2 OF 3 SHEETS
STA.	TO STA.

F.A.P. RTE.	SECTION	COUNTY	TOTAL SHEETS	SHEET NO.
VAR.	2009-069 BR	COOK	39	36
CONTRACT NO. 60H77				
ILLINOIS FED. AID PROJECT				