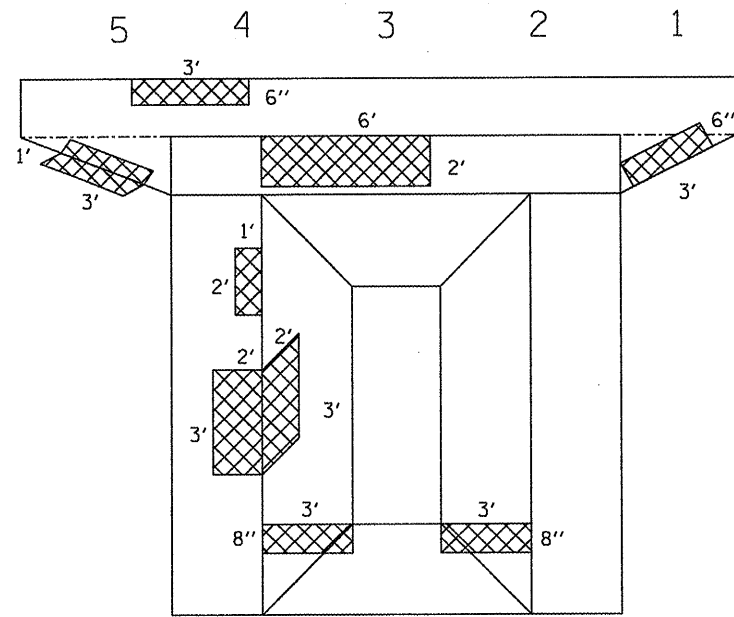
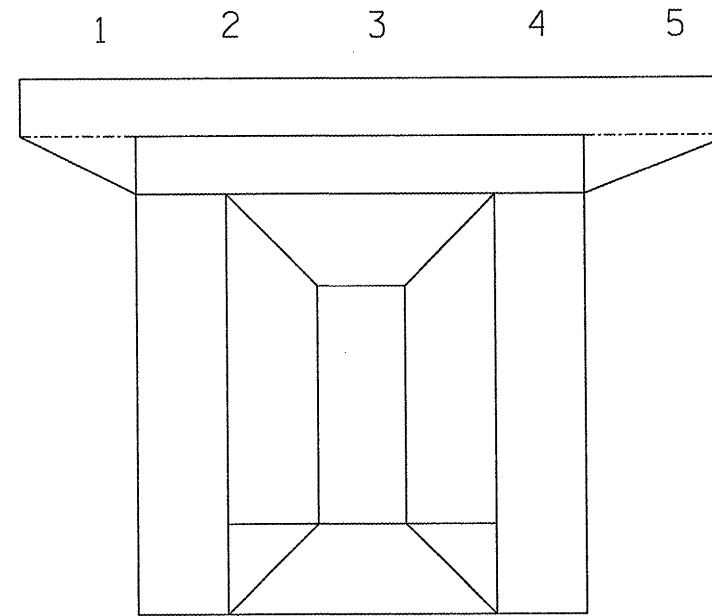


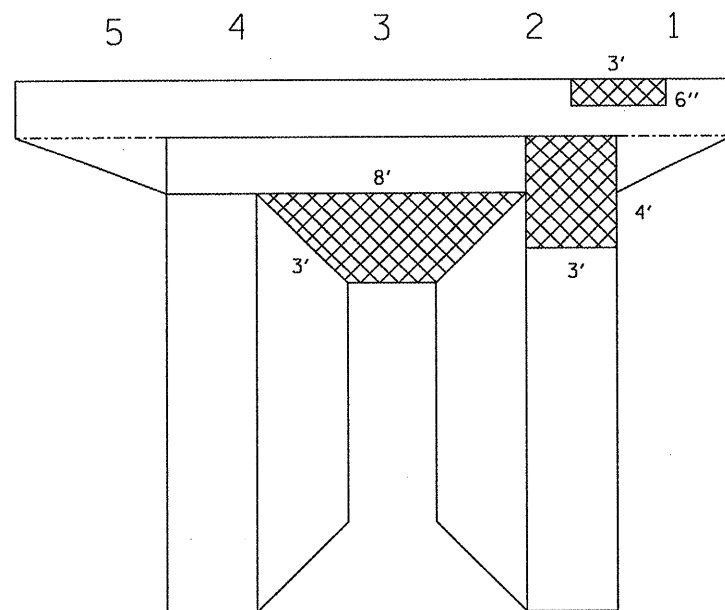
016-2453: I-290 EB RAMP TO I-90, 94 NB/I-90, 94  
 LOCATION: .5 M E. RACINE AVE



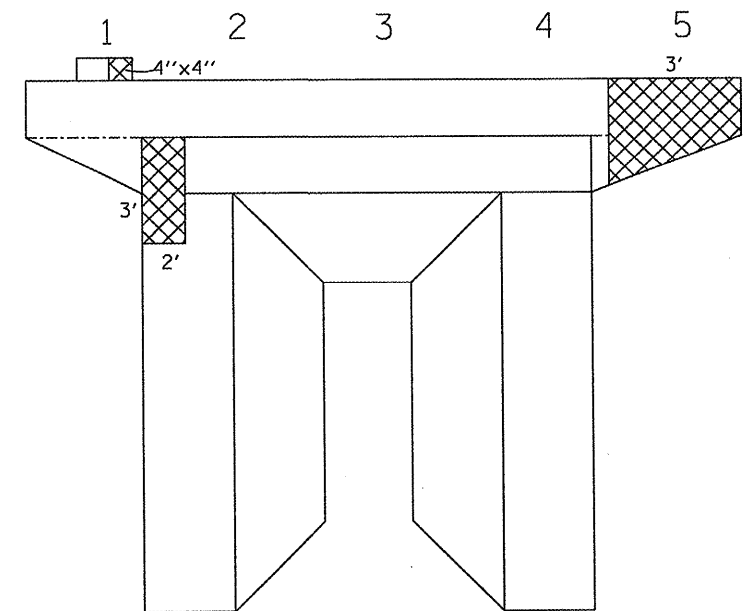
PIER 24 WEST FACE



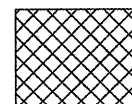
PIER 24 EAST FACE



PIER 25 WEST FACE



PIER 25 EAST FACE



STRUCTURAL REPAIR OF CONCRETE  $\leq$  5"

FILE NAME =	USER NAME = estmeblek	DESIGNED -	REVISED -
est\p\work\PHWIDOT\ESTIMABLEK\0161538\0	01309-shr-plan.dgn	DRAWN -	REVISED -
	PLOT SCALE = 100.0000 ' / IN.	CHECKED -	REVISED -
	PLOT DATE = 1/5/2010	DATE -	REVISED -

STATE OF ILLINOIS  
 DEPARTMENT OF TRANSPORTATION

LOCATION 8	
SN 016-2453: I-290 EB RAMP TO I-90, 94 NB/I-90, 94	
SCALE:	TO STA.
SHEET NO. 3 OF 3 SHEETS	

F.A.P. RTE.	SECTION	COUNTY	TOTAL SHEETS	SHEET NO.
VAR.	2009-069 BR	COOK	39	37
CONTRACT NO. 60H77			ILLINOIS FED. AID PROJECT	