

F.A.P. RTE.	SECTION	COUNTY	TOTAL SHEETS	SHEET NO.
VAR.	2009-069 RB	COOK	39	1
		ILLINOIS	CONTRACT NO. 60H77	

* 39-1 = 38

D-91-813-09



STATE OF ILLINOIS
DEPARTMENT OF TRANSPORTATION
DIVISION OF HIGHWAYS
**PROPOSED
HIGHWAY PLANS**

ROUTE: VARIOUS STRUCTURES AT CIRCLE INTERCHANGE *
SECTION: 2009-069 BR
BRIDGE SUBSTRUCTURE REPAIR
COOK COUNTY
C-91-813-09

FOR INDEX OF SHEETS, SEE SHEET NO. 2

IMPROVEMENTS ARE LOCATED IN THE
CITY OF CHICAGO

- * LOC 1 SN 016-1029: I-290 EB (IKE EXPWY/CONGRESS) I-90, 94 (DAN RYAN EXPWY)
- LOC 2 SN 016-1030: I-290 WB (IKE EXPWY/CONGRESS) I-90, 94 (DAN RYAN EXPWY)
- LOC 3 SN 016-2448: I-290 WB RAMP TO I-94 NB
- LOC 4 SN 016-2449: I-90, 94 NB RAMP TO I-290 WB I-90, 94
- LOC 5 SN 016-2450: I-290 WB RAMP TO I-90, 94 SB I-90, 94
- LOC 6 SN 016-2451: I-94 NB RAMP TO I-290 EB OVER I-290 EB RAMP TO I-94 NB
- LOC 7 SN 016-2452: I-94 SB RAMP TO I-290 EB I-290 & I-90, 94
- LOC 8 SN 016-2453: I-290 EB RAMP TO I-90, 94 NB I-90, 94

FOR LOCATION MAPS, SEE SHEET NO. 4

J.U.L.I.E.
JOINT UTILITY LOCATION INFORMATION FOR EXCAVATION
1-800-892-0123
OR 811

PROJECT ENGINEER ROBERT BORO (847) 705-4178
PROJECT MANAGER KEN ENG

CONTRACT NO. 60H77

STATE OF ILLINOIS
DEPARTMENT OF TRANSPORTATION
DIVISION OF HIGHWAYS

SUBMITTED JANUARY 5 20 09
Diana M. O'Keefe
DEPUTY DIRECTOR OF HIGHWAYS, REGION ENGINEER

January 09 20 10
Scott E. Stitt R.E. IBC
ASSISTANT ENGINEER OF DESIGN AND ENVIRONMENT

January 09 20 10
Christine M. Reed
DIRECTOR OF HIGHWAYS, CHIEF ENGINEER

PRINTED BY THE AUTHORITY
OF THE STATE OF ILLINOIS

INDEX OF SHEETS

STATE STANDARDS

GENERAL NOTES

1	TITLE SHEET	701011-02	OFF ROAD MOVING OPERATIONS, 2L, 2W, DAY ONLY
2	INDEX OF SHEETS, STATE STANDARDS, AND GENERAL NOTES	701101-02	OFF ROAD OPERATIONS MULTILANE, 4.5 m (15') TO 600 mm (24") FROM PAVEMENT EDGE
3	SUMMARY OF QUANTITIES	701901-01	TRAFFIC CONTROL DEVICES
4	LOCATION MAP		
5-8	STRUCTURAL REPAIRS LOC 1 (SN 016-1029)		
9-12	STRUCTURAL REPAIRS LOC 2 (SN 016-1030)		
13-15	STRUCTURAL REPAIRS LOC 3 (SN 016-2448)		
16-19	STRUCTURAL REPAIRS LOC 4 (SN 016-2449)		
20-26	STRUCTURAL REPAIRS LOC 5 (SN 016-2450)		
27	STRUCTURAL REPAIRS LOC 6 (SN 016-2451)		
28-34	STRUCTURAL REPAIRS LOC 7 (SN 016-2452)		
35-37	STRUCTURAL REPAIRS LOC 8 (SN 016-2453)		
38	DELETED		
39	TRAFFIC CONTROL FOR SHOULDER CLOSURES & PARTIAL RAMP CLOSURES (TC-17)		

BEFORE STARTING ANY EXCAVATION, THE CONTRACTOR SHALL CALL "JULIE" AT 800-892-0123 or 811 FOR FIELD LOCATIONS OF BURIED ELECTRIC, TELEPHONE AND GAS FACILITIES. (48 HOUR NOTIFICATION IS REQUIRED)

THE CONTRACTOR SHALL COORDINATE CONSTRUCTION ACTIVITIES WITH UTILITY COMPANIES, THE CITY OF CHICAGO.

THE CONTRACTOR WILL NOT BE ALLOWED TO SET UP A YARD OR FIELD OFFICE ON STATE PROPERTY WITHOUT WRITTEN PERMISSION FROM THE DEPARTMENT.

DO NOT SCALE PLANS FOR CONSTRUCTION DIMENSIONS

THE CONTRACTOR SHALL CONTACT THE DISTRICT ONE TRAFFIC CONTROL SUPERVISOR AT (847) 705-4151 FOR EXPRESSWAYS. A MINIMUM OF 72 HOURS IN ADVANCE OF BEGINING OF WORK.

THESE PLANS HAVE BEEN PREPARED FROM NOTES RECIEVE FROM BRIDGE INSPECTIONS.

PLAN DIMESIONS AND DETAILS RELATIVE TO EXISTING PLANS ARE SUBJECT TO ROUTINE VARIATIONS THE CONTRACTOR SHALL FIELD VERIFY EXISTING DIMENSIONS AND DETAILS AFFECTIND NEW CONSTRUCTION AND MAKE NECESSARY APPROVED ADJUSTMENTS PRIOR TO CONSTRUCTION OR ORDERING OF MATERIALS. SUCH VARIATIONS SHALL NOT BE CAUSE FOR ADDITIONAL COMPENSATION FOR A CHANGE IN SCOPE OF THE WORK, HOWEVER, THE CONTRACTOR WILL BE PAID FOR THE QUANTITY ACTUALLY FURNISED BASED UPON THE UNIT PRICE BID FOR THE WORK.

FILE NAME =	USER NAME = estmablek	DESIGNED -	REVISED -	STATE OF ILLINOIS DEPARTMENT OF TRANSPORTATION	BRIDGE SUBSTRUCTURE REPAIR INDEX OF SHEET, STATE STANDARDS & GENERAL NOTES	F.A.P RTE.	SECTION	COUNTY	TOTAL SHEETS	SHEET NO.
ct\pw_work\PWIDOT\ESTIMABLEK\0161538\0	81309-sht-plan.dgn	DRAWN -	REVISED -			VAR.	2009-069 BR	COOK	39	2
	PLOT SCALE = 100.0000 / IN.	CHECKED -	REVISED -							
	PLOT DATE = 1/5/2010	DATE -	REVISED -							
						SCALE:		SHEET NO. OF SHEETS		STA. TO STA.
						ILLINOIS FED. AID PROJECT				

Rev.

SUMMARY OF QUANTITIES

URBAN
100% STATE
TOTAL
QUANTITIES

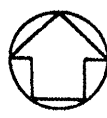
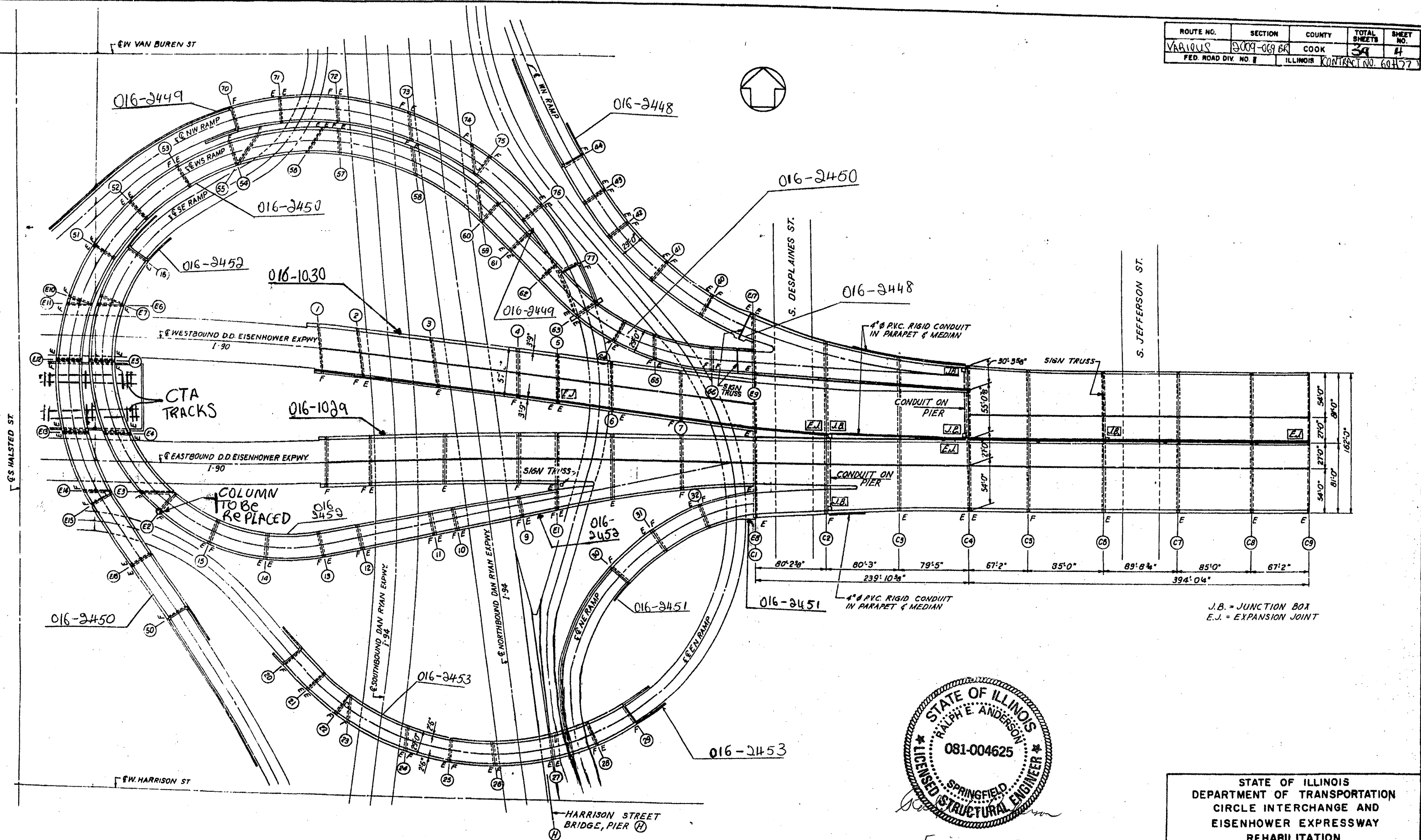
CONSTRUCTION TYPE CODE: SFTY-2A

CODE NO	ITEM	UNIT	TOTAL QUANTITIES	LOC. 1 SN 016-1029	LOC. 2 SN 016-1030	LOC. 3 SN 016-2448	LOC. 4 SN 016-2449	LOC. 5 SN 016-2450	LOC. 6 SN 016-2451	LOC. 7 SN 016-2452	LOC. 8 SN 016-2453										
50102400	CONCRETE REMOVAL	CU YD	2.9							2.9											
50300225	CONCRETE STRUCTURES	CU YD	3							3											
50800205	REINFORCEMENT BARS, EPOXY COATED	POUND	1060							1060											
67000400	ENGINEER'S FIELD OFFICE, TYPE A	CAL MO	4	0.5	0.5	0.5	0.5	0.5	0.5	0.5	0.5										
67100100	MOBILIZATION	L SUM	1	0.13	0.13	0.13	0.13	0.13	0.13	0.13	0.13	0.09									
X0325303	STRUCTURAL REPAIR OF CONCRETE (DEPTH GREATER THAN 5 INCHES)	SO FT	162							162											
X0325305	STRUCTURAL REPAIR OF CONCRETE (DEPTH EQUAL TO OR LESS THAN 5 INCHES)	SO FT	3163	124	125	178	206	1182	134	1018	196										
Z0048665	RAILROAD PROTECTIVE LIABILITY INSURANCE	L SUM	1							1											
Z0073300	TEMPORARY SHORING AND CRIBBING	L SUM	1							1											
Z0073400	TEMPORARY SUPPORT SYSTEM	EACH	8					2		6											
X5080600	MECHANICAL SPLICERS	EACH	12							12											

FILE NAME =	USER NAME = estmablek	DESIGNED -	REVISED -	STATE OF ILLINOIS DEPARTMENT OF TRANSPORTATION	SUMMARY OF QUANTITIES	F.A. RTE.	SECTION	COUNTY	TOTAL SHEETS	SHEET NO.	
c:\pwwork\pwwork\estmablek\0161538\0161309-sht-plan.dgn		DRAWN -	REVISED -			VAR.	2009-069 BR	COOK	39	3	
PLOT SCALE = 100.0000" / IN.		CHECKED -	REVISED -			CONTRACT NO. 60H77		FED. ROAD DIST. NO. 1 ILLINOIS FED. AID PROJECT			
PLOT DATE = 1/5/2010		DATE -	REVISED -			SCALE:	SHEET NO.	OF	SHEETS	STA.	TO

Rev.

ROUTE NO.	SECTION	COUNTY	TOTAL SHEETS	SHEET NO.
VARIOUS	9009-069 BR	COOK	39	4
FED. ROAD DIV. NO. 1			ILLINOIS CONTRACT NO. 604577	



Expires Nov. 30, 2010

J.B. = JUNCTION BOX
E.J. = EXPANSION JOINT

STATE OF ILLINOIS
DEPARTMENT OF TRANSPORTATION
CIRCLE INTERCHANGE AND
EISENHOWER EXPRESSWAY
REHABILITATION

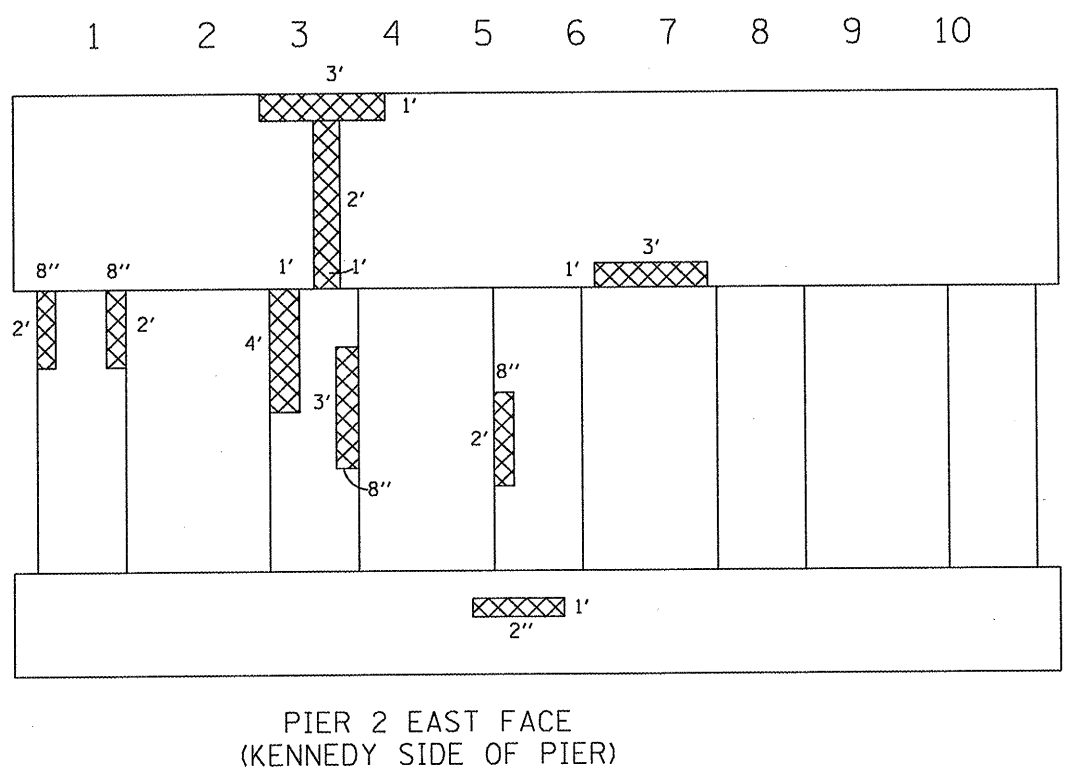
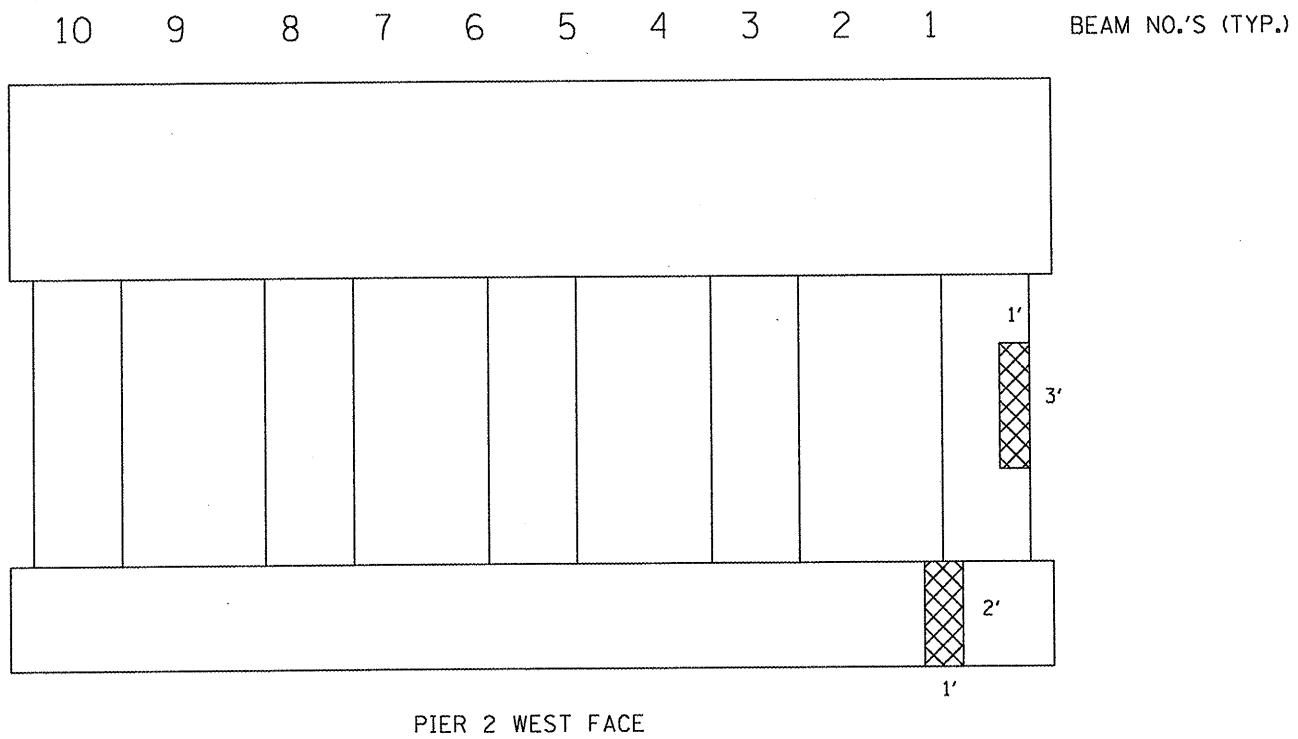
GENERAL LOCATION
P.A.I.R.T.'94 COOK COUNTY SECTION 9009-069 BR

CHRISTIAN-ROBE AND ASSOC.
ENGINEERS
CHICAGO, ILLINOIS

SHEET
1 of 1

DESIGNED BY _____
DRAWN BY _____
CHECKED BY _____

016-1029: I-290EB (IKE EXPWY/CONGRESS)/I-90/94 (DAN RYAN EXPWY)
 LOCATION: .5 M W. CHICAGO RIVER



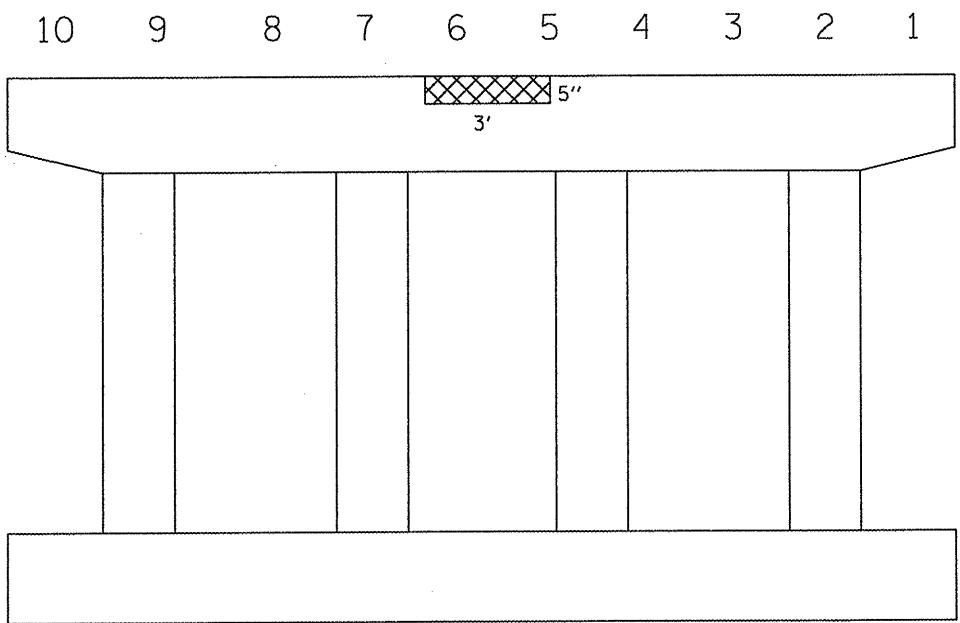
SN 016-1029 TOTAL BILL OF MATERIAL

DESCRIPTION	UNIT	QUANTITY
STRUCTURAL REPAIR OF CONCRETE ≤ 5"	SQ FT	124

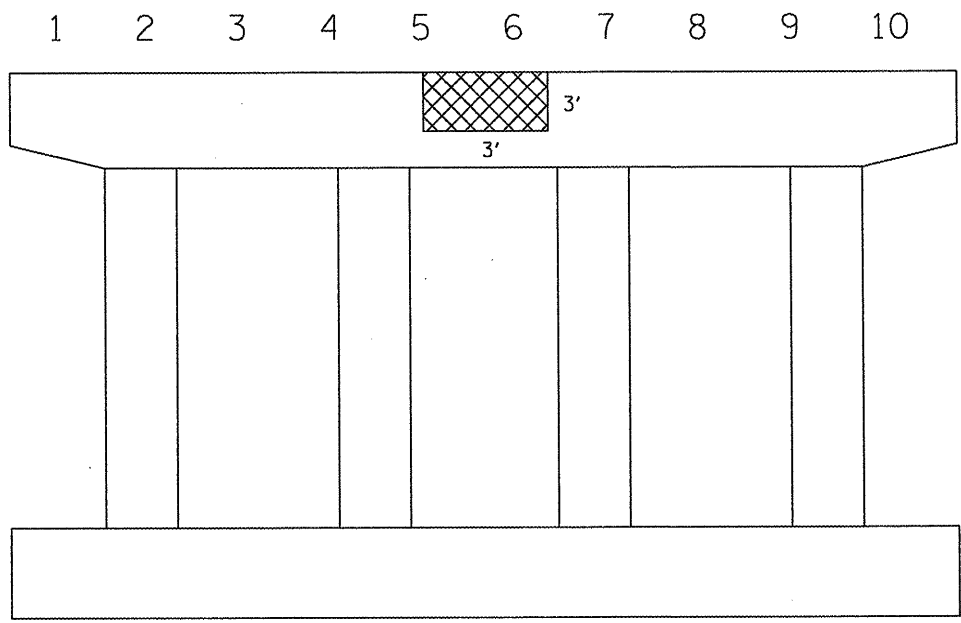
 STRUCTURAL REPAIR OF CONCRETE ≤ 5"

D:\1300-ehd-plan.dgn 1/5/2010 11:10:18 AM User=estmablek

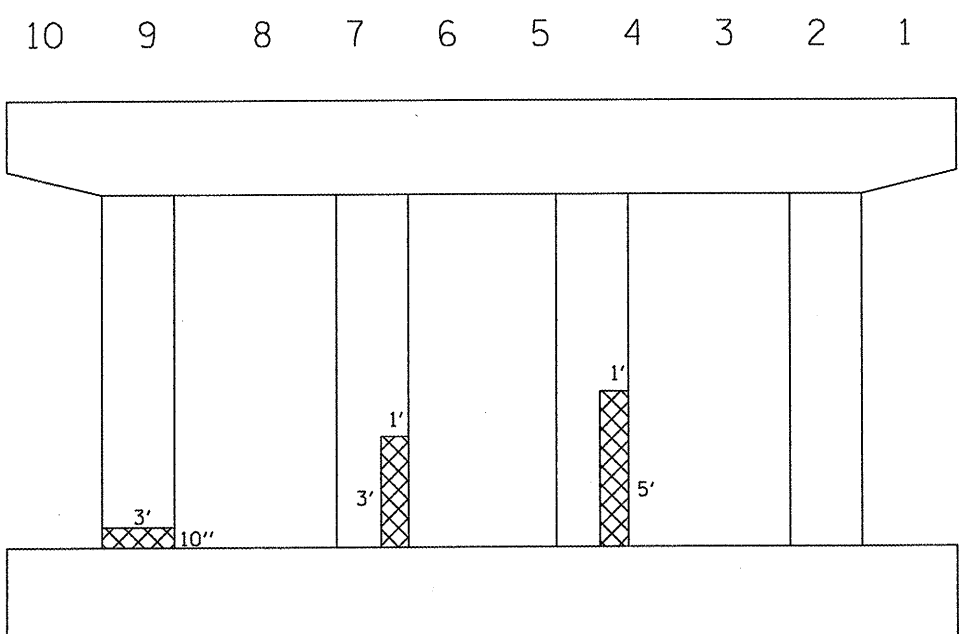
016-1029: I-290EB (IKE EXPWY/CONGRESS)/I-90/94 (DAN RYAN EXPWY)
 LOCATION: .5 M W. CHICAGO RIVER



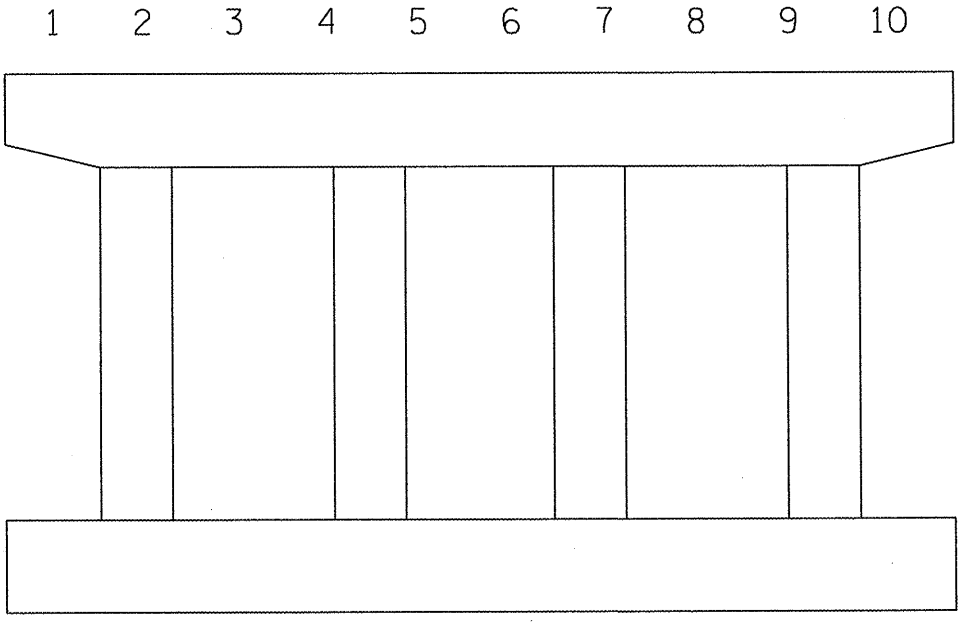
PIER 3 WEST FACE



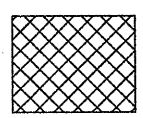
PIER 3 EAST FACE



PIER 4 WEST FACE



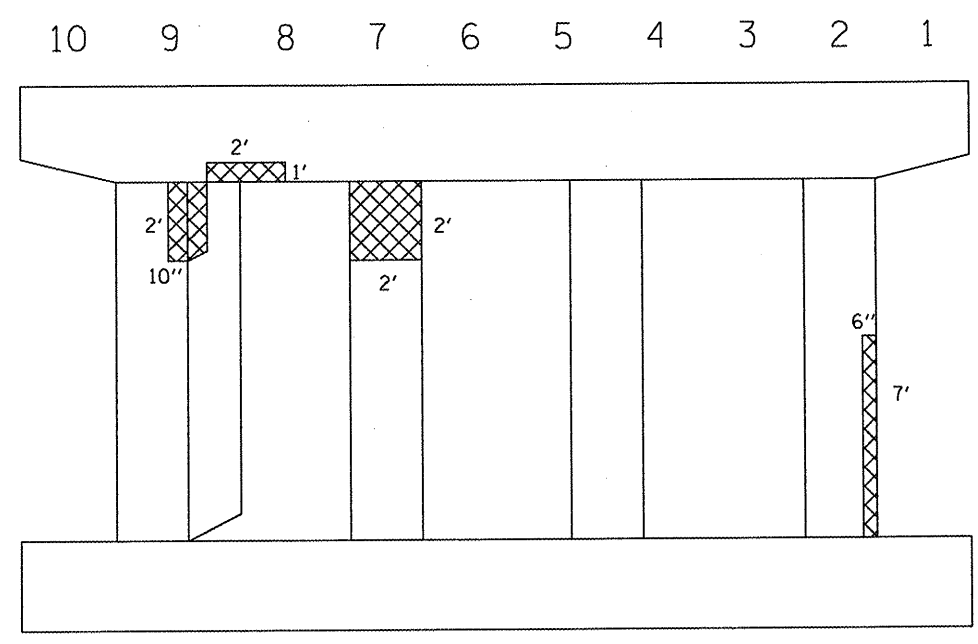
PIER 4 EAST FACE



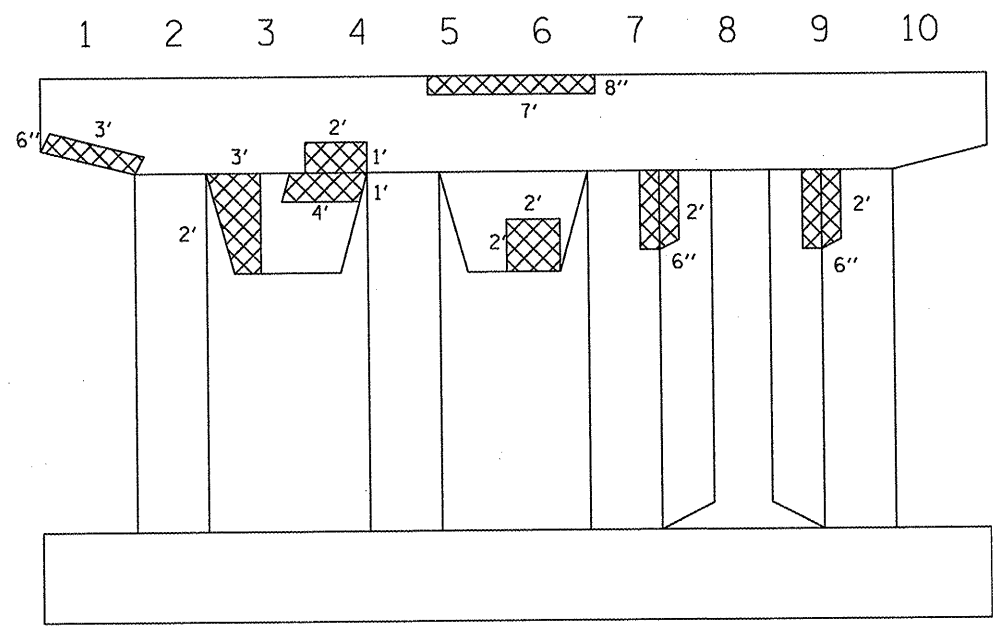
STRUCTURAL REPAIR OF CONCRETE \leq 5"

FILE NAME = c:\pwwork\p\WIDOT\ESTIMABLEK\j0161538\0	USER NAME = estimablek	DESIGNED -	REVISED -	STATE OF ILLINOIS DEPARTMENT OF TRANSPORTATION	LOCATION 1			F.A.P. RTE.	SECTION	COUNTY	TOTAL SHEETS	SHEET NO.
	01309-eh-1-plan.dgn	DRAWN -	REVISED -		SN 061-1029: I-290EB (IKE EXPWY/CONGRESS)/I-90/94 (DAN RYAN EXPWY)	VAR.	2009-069 BR	COOK	39	6		
	PLOT SCALE = 100.0000' / IN.	CHECKED -	REVISED -	SCALE:	SHEET NO. 2 OF 4 SHEETS	STA.	TO STA.	ILLINOIS FED. AID PROJECT				
	PLOT DATE = 1/5/2010	DATE -	REVISED -									

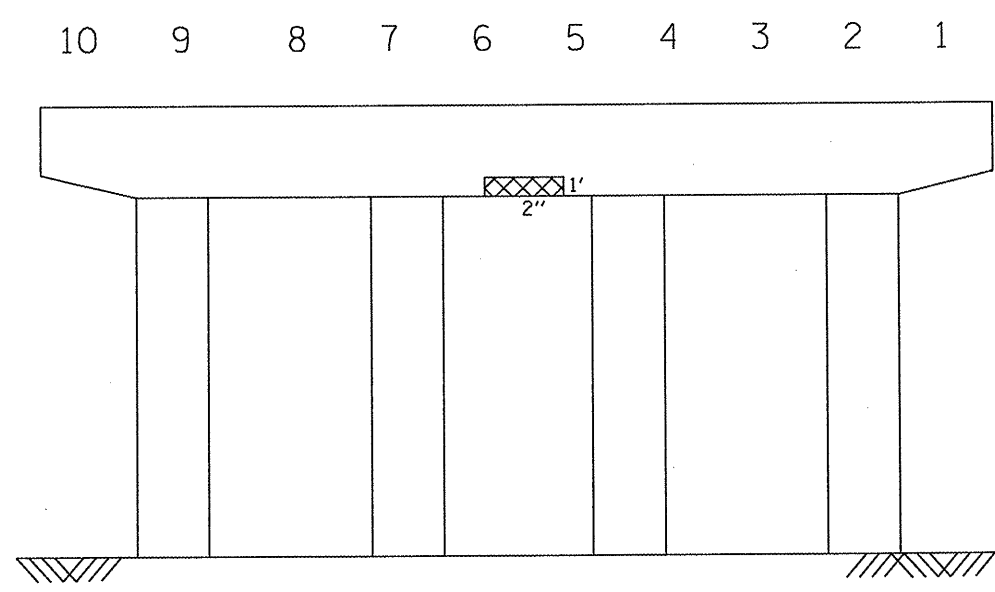
016-1029: I-290EB (IKE EXPWY/CONGRESS)/I-90/94 (DAN RYAN EXPWY)
 LOCATION: .5 M W. CHICAGO RIVER



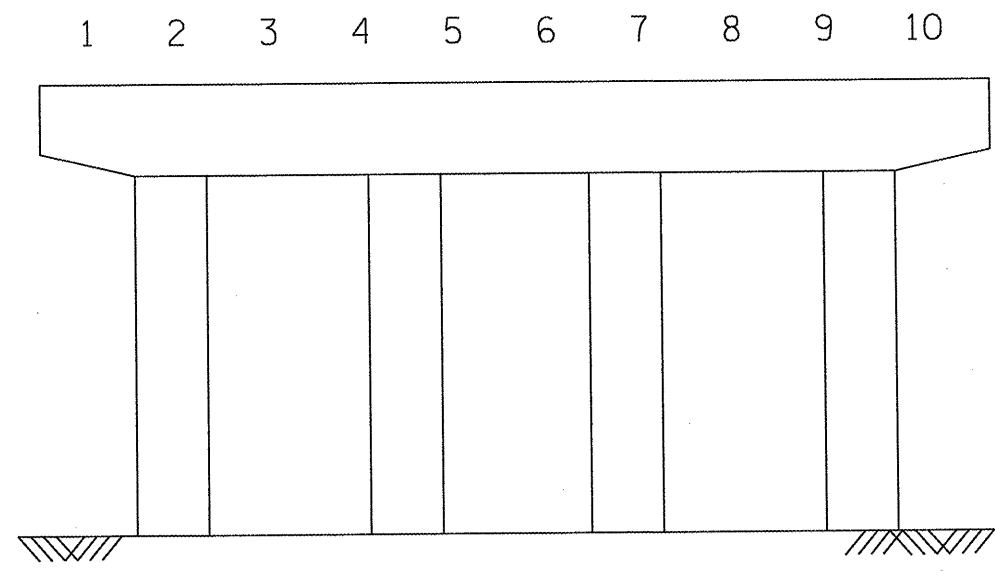
PIER 5 WEST FACE



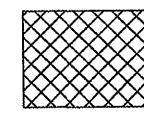
PIER 5 EAST FACE



PIER 6 WEST FACE
(RAMP SIDE OF PIER)



PIER 6 EAST FACE



STRUCTURAL REPAIR OF CONCRETE ≤ 5"

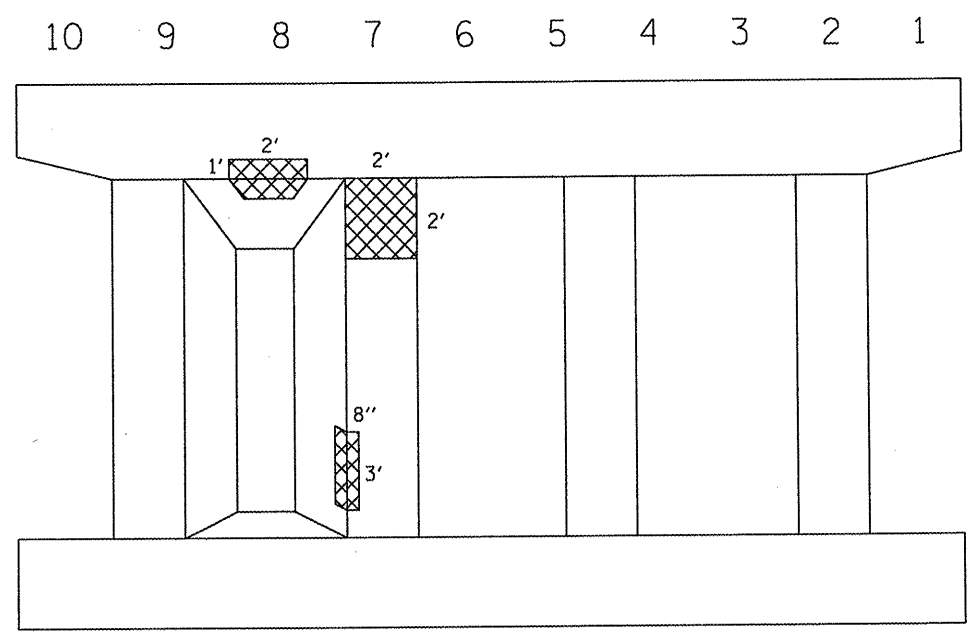
FILE NAME =	USER NAME = estimblek	DESIGNED -	REVISED -
ci:\pwwork\pwwid\estimblek\d0161538\0161309-shr-plan.dgn		DRAWN -	REVISED -
PLOT SCALE = 100.0000' / IN.		CHECKED -	REVISED -
PLOT DATE = 1/5/2010		DATE -	REVISED -

STATE OF ILLINOIS
 DEPARTMENT OF TRANSPORTATION

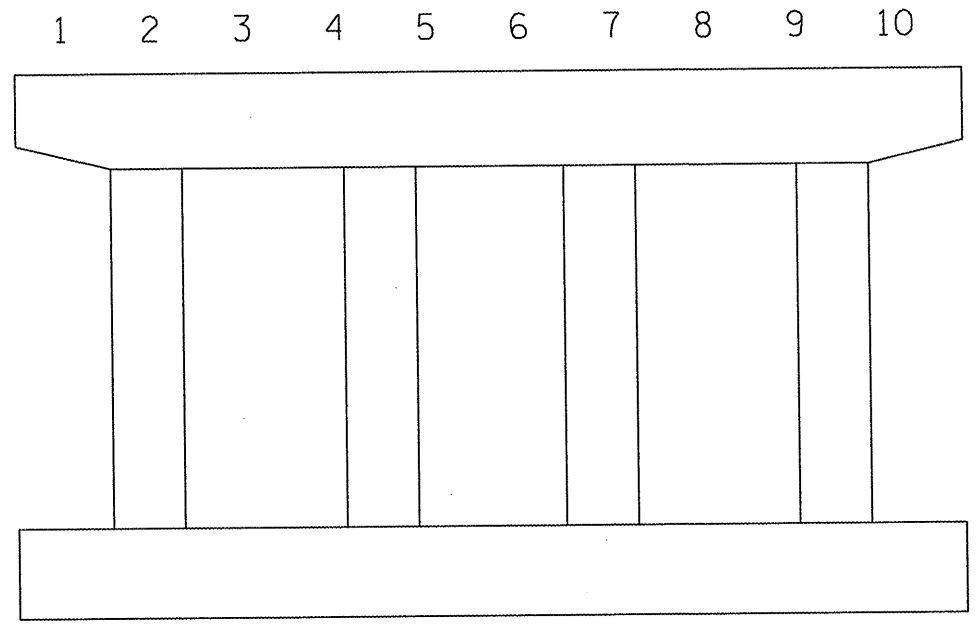
LOCATION 1
 SN 061-1029: I-290EB (IKE EXPWY/CONGRESS)/I-90/94 (DAN RYAN EXPWY)
 SCALE: SHEET NO. 3 OF 4 SHEETS STA. TO STA.

F.A.P. RTE.	SECTION	COUNTY	TOTAL SHEETS	SHEET NO.
VAR.	2009-069 BR	COOK	39	7
CONTRACT NO. 60H74			ILLINOIS FED. AID PROJECT	

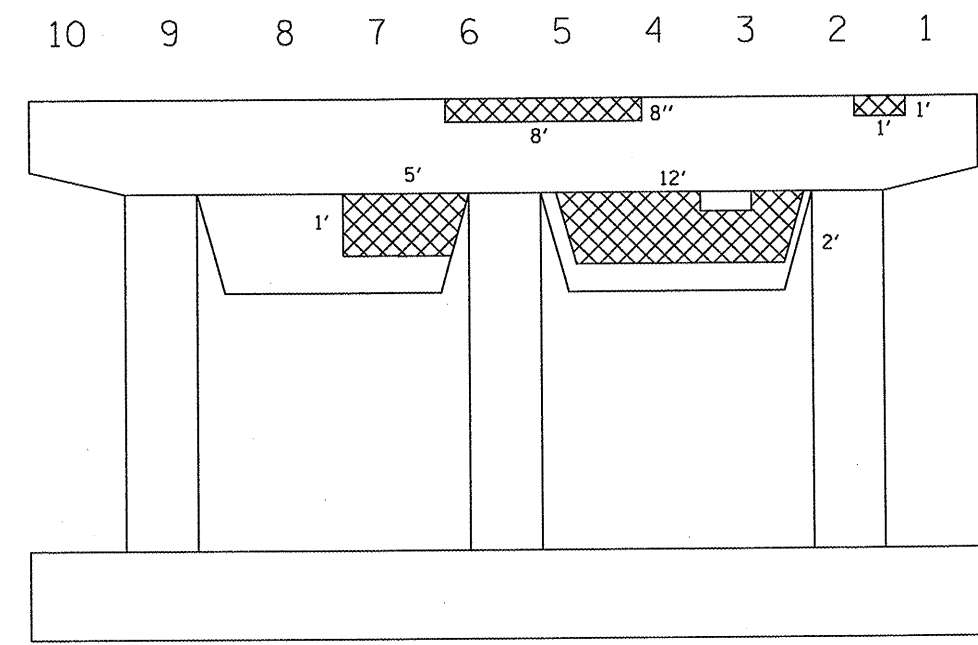
016-1029: I-290EB (IKE EXPWY/CONGRESS)/I-90/94 (DAN RYAN EXPWY)
 LOCATION: .5 M W. CHICAGO RIVER



PIER 7 WEST FACE



PIER 7 EAST FACE



PIER C1 WEST FACE

 STRUCTURAL REPAIR OF CONCRETE ≤ 5"

FILE NAME =	USER NAME = estimblek	DESIGNED -	REVISED -
ct\pw_work\pwidot\estimblek\d0161538\0161309-sht-plan.dgn		DRAWN -	REVISED -
		CHECKED -	REVISED -
		DATE -	REVISED -

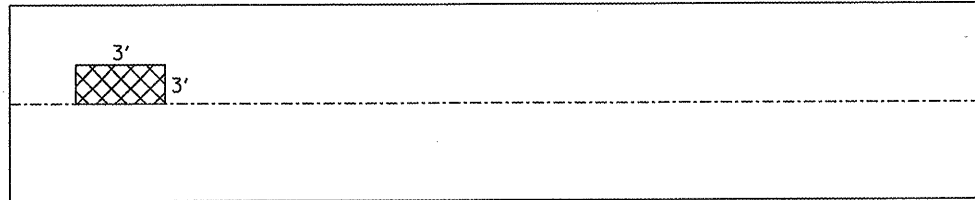
STATE OF ILLINOIS
 DEPARTMENT OF TRANSPORTATION

LOCATION 1	
SN 061-1029: I-290EB (IKE EXPWY/CONGRESS)/I-90/94 (DAN RYAN EXPWY)	
SCALE:	SHEET NO. 4 OF 4 SHEETS
STA.	TO STA.

F.A.P. RTE.	SECTION	COUNTY	TOTAL SHEETS	SHEET NO.
VAR.	2009-069 BR	COOK	39	8
CONTRACT NO. 60H74			ILLINOIS FED. AID PROJECT	

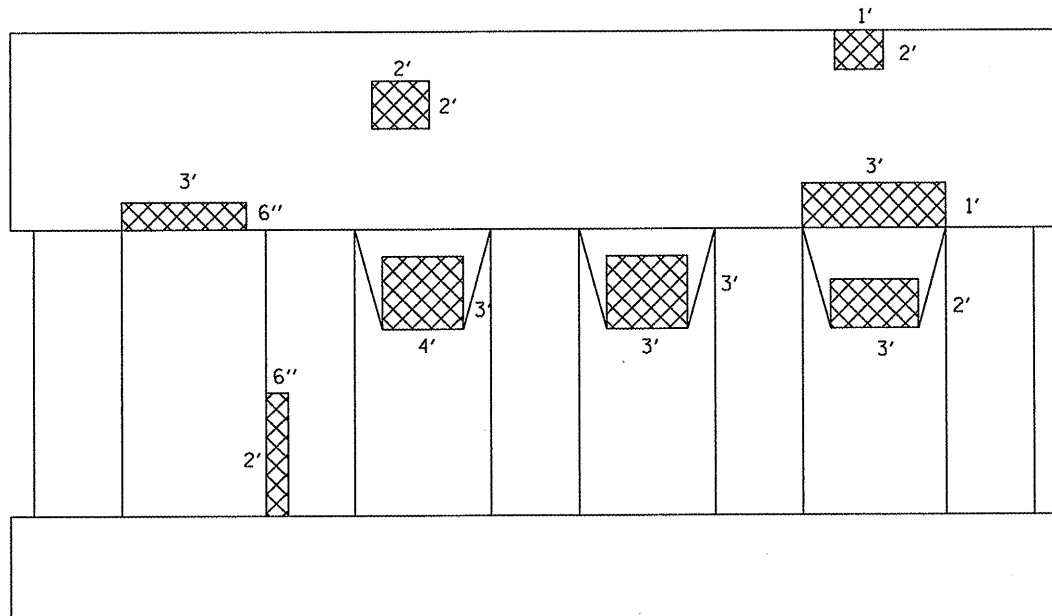
016-1030: I-290 WB (IKE EXPWY/CONGRESS)/I-90, 94 (DAN RYAN EXPWY)
 LOCATION: .5 M W. CHICAGO RIVER

1 2 3 4 5 6 7 8 9 10



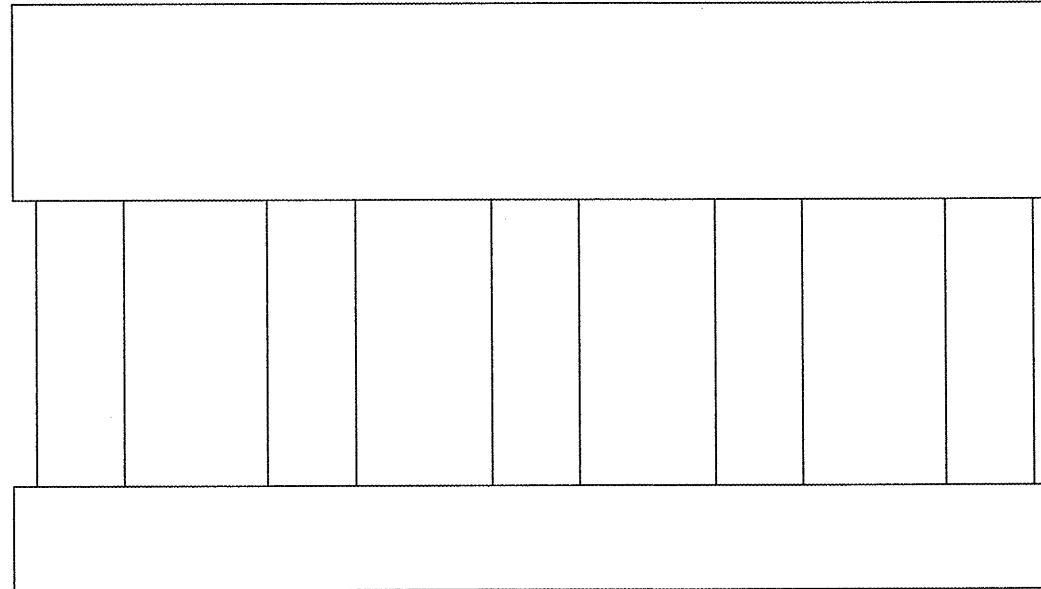
PIER 1

1 2 3 4 5 6 7 8 9 10



PIER 2 EAST FACE
 (DAN RYAN SIDE OF PIER)

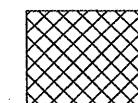
10 9 8 7 6 5 4 3 2 1 BEAMS NO.'s (TYP.)



PIER 2 WEST FACE

SN 016-1030 TOTAL BILL OF MATERIAL

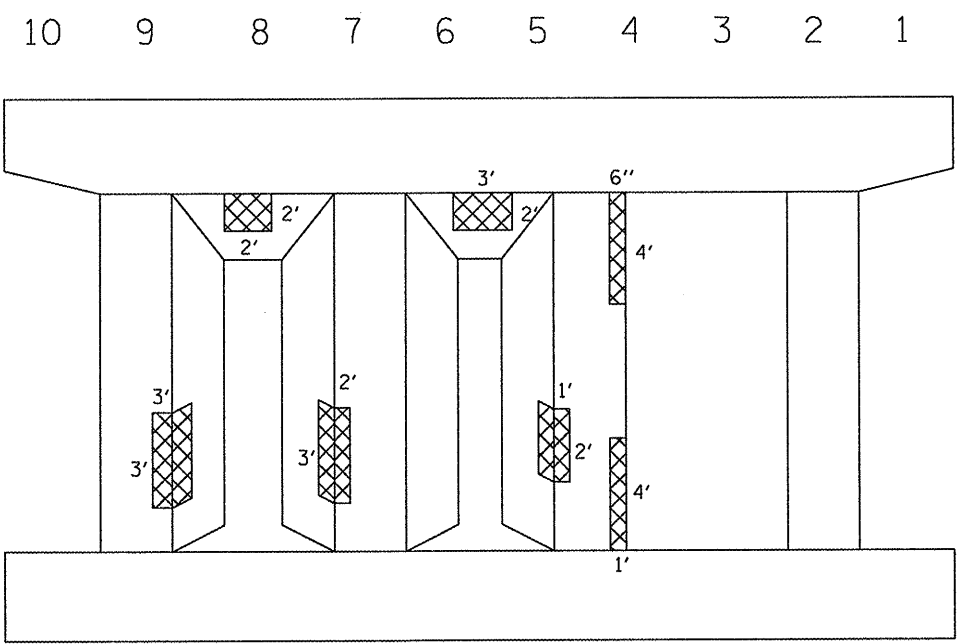
DESCRIPTION	UNIT	QUANTITY
STRUCTURAL REPAIR OF CONCRETE \leq 5"	SQ FT	125



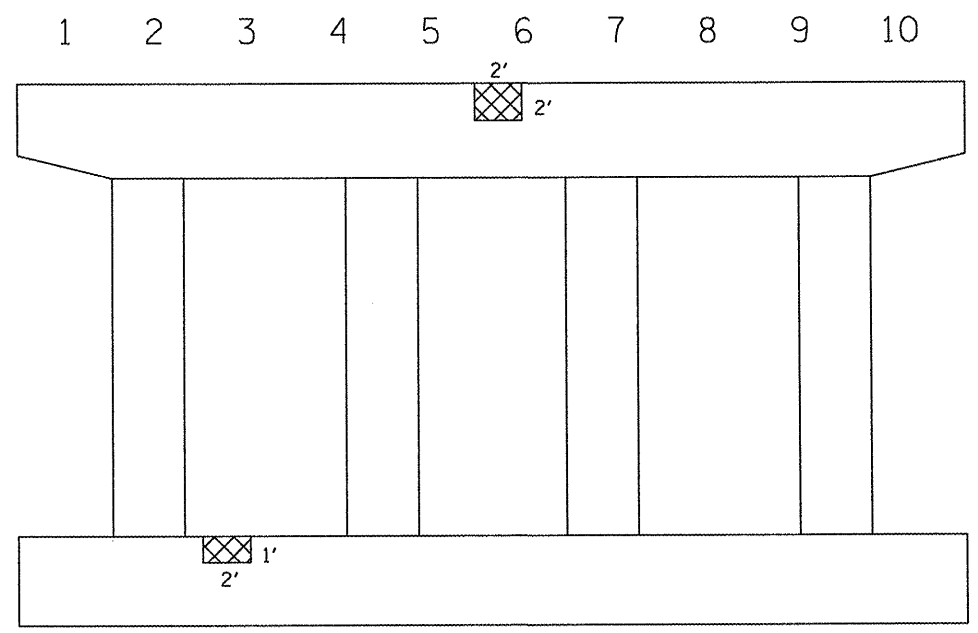
STRUCTURAL REPAIR OF CONCRETE \leq 5"

FILE NAME =	USER NAME = estimblek	DESIGNED -	REVISED -	STATE OF ILLINOIS DEPARTMENT OF TRANSPORTATION	LOCATION 2		F.A.P. RTE.	SECTION	COUNTY	TOTAL SHEETS	SHEET NO.
ca\p\work\PIWIDOT\ESTIMABLEK\d0161538\0	01309\sh-t-plan.dgn	DRAWN -	REVISED -		SN 061-1030: I-290WB (IKE EXPWY/CONGRESS)-90/94 (DAN RYAN EXPWY)	VAR.	2009-069 BR	COOK	39	9	
PLOT SCALE = 100.0000 ' / IN.	CHECKED -	REVISED -	REVISED -		SCALE:	SHEET NO. 1 OF 4 SHEETS	STA.	TO STA.	CONTRACT NO. 60H77		
PLOT DATE = 1/5/2010	DATE -	REVISED -	REVISED -		ILLINOIS FED. AID PROJECT						

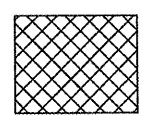
016-1030: I-290 WB (IKE EXPWY/CONGRESS)/I-90, 94 (DAN RYAN EXPWY)
 LOCATION: .5 M W. CHICAGO RIVER



PIER 4 WEST FACE



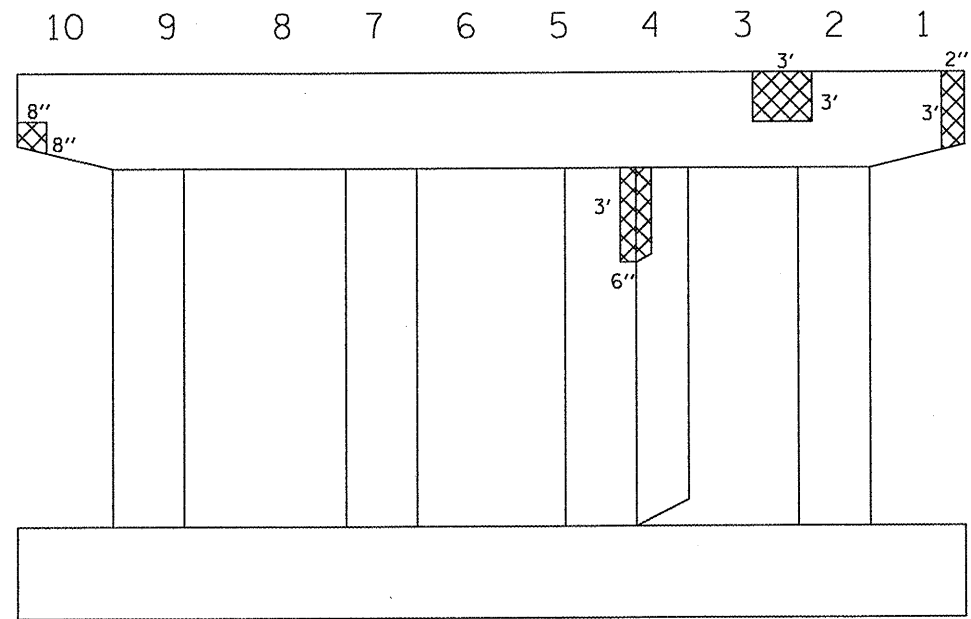
PIER 4 EAST FACE



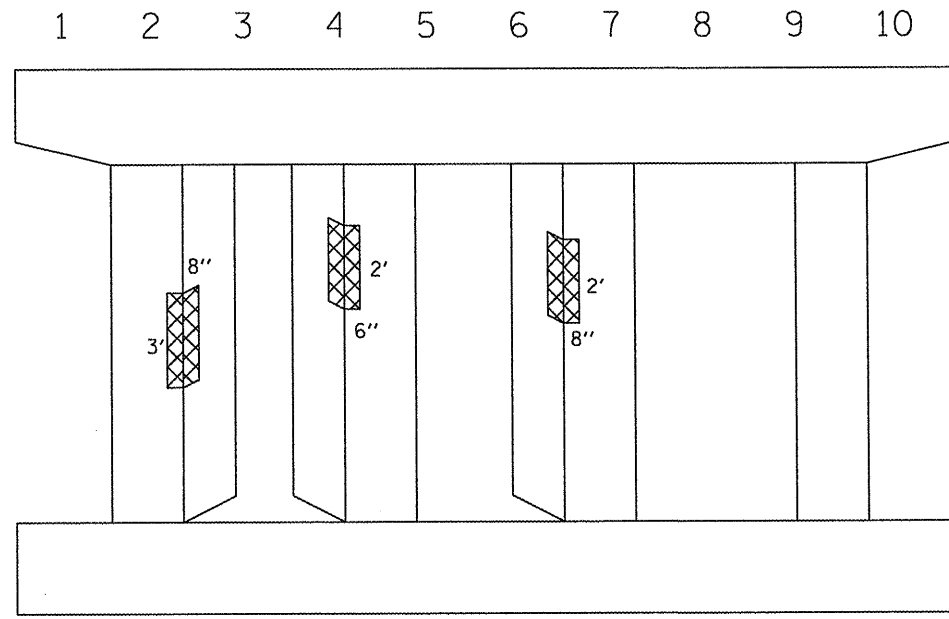
STRUCTURAL REPAIR OF CONCRETE ≤ 5"

FILE NAME =	USER NAME = estimeblek	DESIGNED -	REVISED -	STATE OF ILLINOIS DEPARTMENT OF TRANSPORTATION	LOCATION 2		F.A.P. RTE.	SECTION	COUNTY	TOTAL SHEETS	SHEET NO.
est\proj\work\VPWIDOT\ESTIMABLEK\0161538\0	01309-shr-plan.dgn	DRAWN -	REVISED -		SN 061-1030: I-290WB (IKE EXPWY/CONGRESS)/I-90/94 (DAN RYAN EXPWY)	VAR.	2009-069 BR	COOK	39	10	
	PLOT SCALE = 100.0000' / IN.	CHECKED -	REVISED -		SCALE:	SHEET NO. 2 OF 4 SHEETS	STA.	TO STA.	CONTRACT NO. 60H77		
	PLOT DATE = 1/5/2010	DATE -	REVISED -		ILLINOIS FED. AID PROJECT						

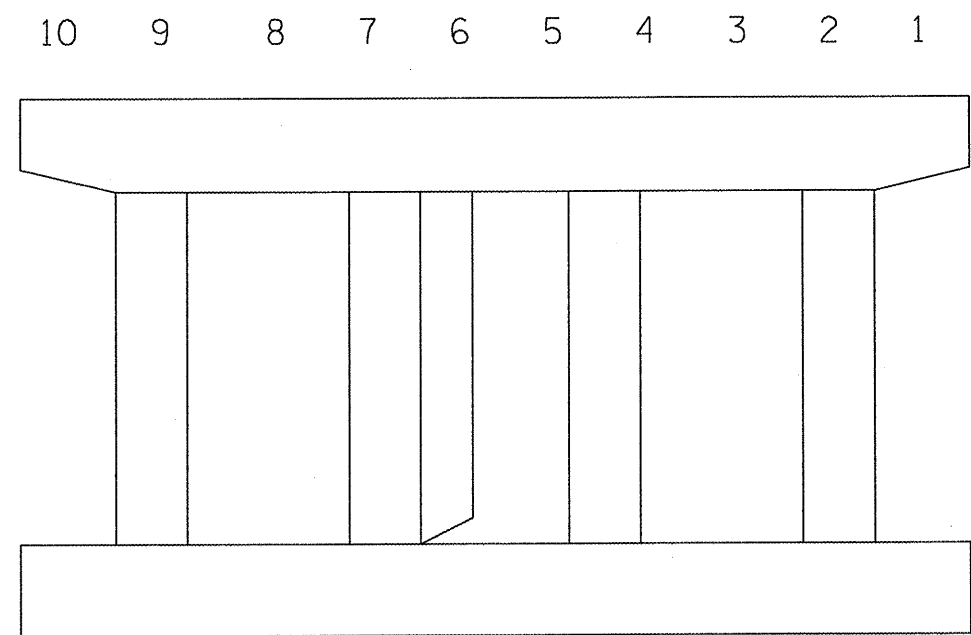
016-1030: I-290 WB (IKE EXPWY/CONGRESS)/I-90, 94 (DAN RYAN EXPWY)
 LOCATION: .5 M W. CHICAGO RIVER



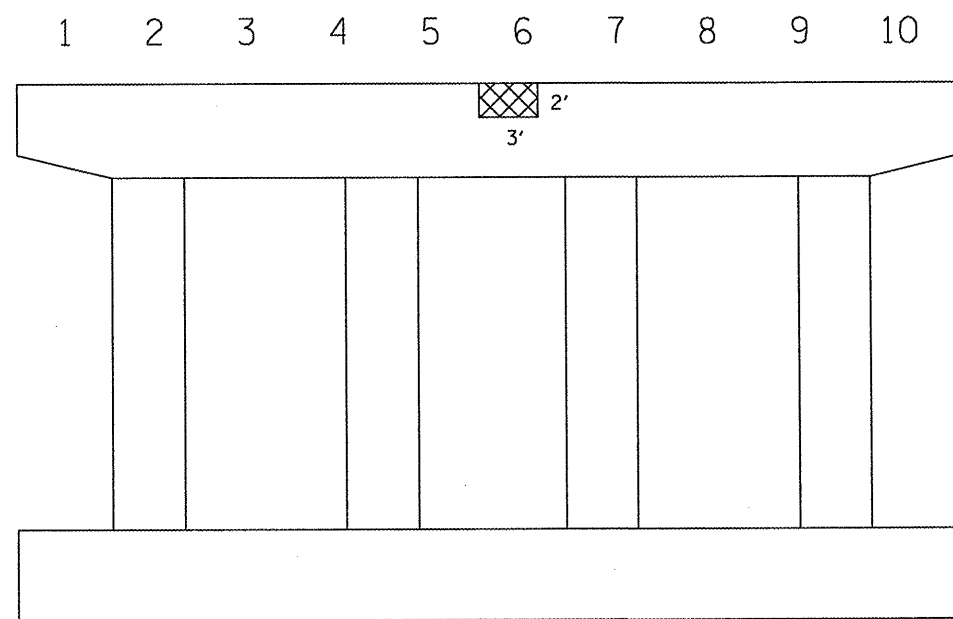
PIER 3 WEST FACE



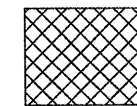
PIER 3 EAST FACE



PIER 4 WEST FACE



PIER 4 EAST FACE



STRUCTURAL REPAIR OF CONCRETE ≤ 5"

FILE NAME =	USER NAME = estimablek	DESIGNED -	REVISED -
es:\pwwork\VP\WIDOT\ESTIMABLEK\d0161538\0	01309-ehp-plan.dgn	DRAWN -	REVISED -
	PLOT SCALE = 100.0000' / IN.	CHECKED -	REVISED -
	PLOT DATE = 1/5/2010	DATE -	REVISED -

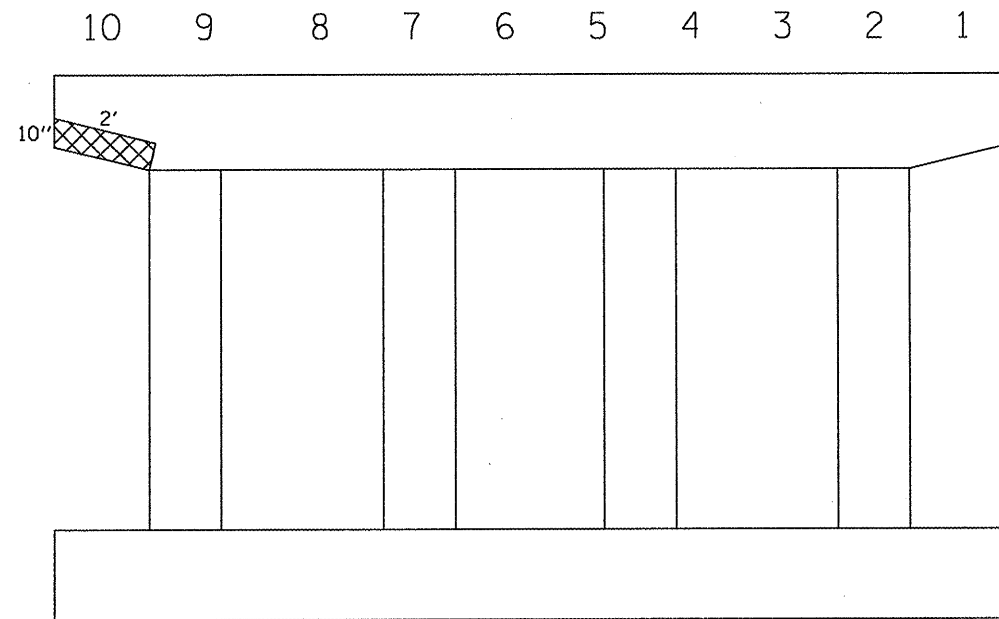
**STATE OF ILLINOIS
 DEPARTMENT OF TRANSPORTATION**

LOCATION 2
SN 061-1030: I-290WB (IKE EXPWY/CONGRESS)/I-90/94 (DAN RYAN EXPWY)

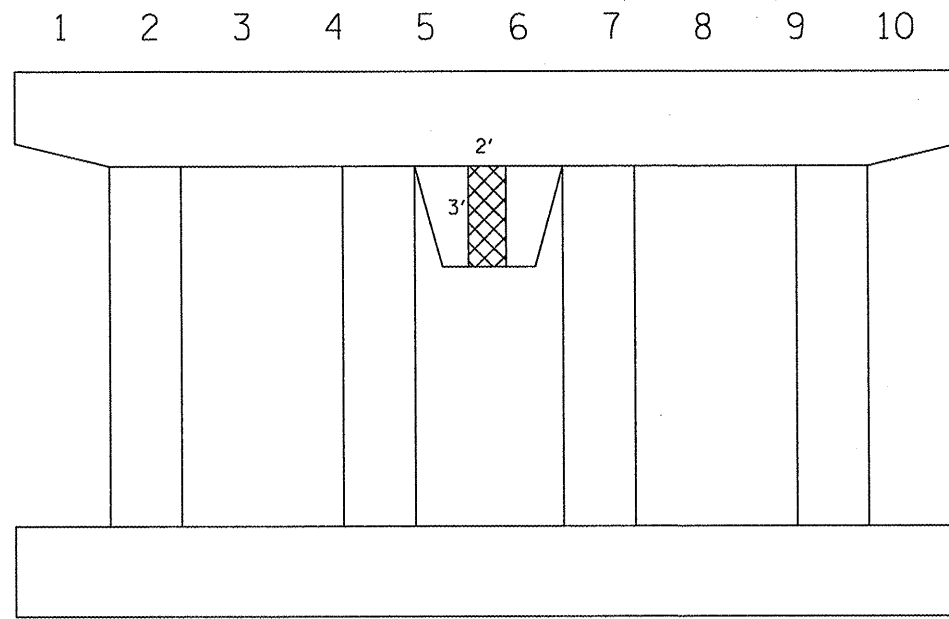
F.A.P. RTE.	SECTION	COUNTY	TOTAL SHEETS	SHEET NO.
VAR.	2009-069 BR	COOK	39	11
CONTRACT NO. 60H77			ILLINOIS FED. AID PROJECT	

SCALE: SHEET NO. 3 OF 4 SHEETS STA. TO STA.

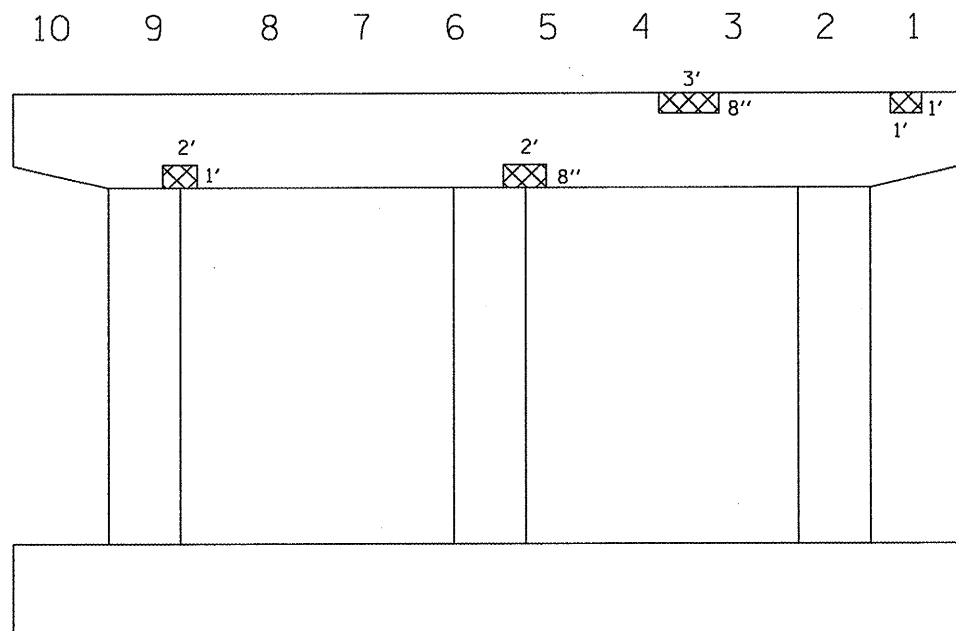
016-1030: I-290 WB (IKE EXPWY/CONGRESS)/I-90, 94 (DAN RYAN EXPWY)
 LOCATION: .5 M W. CHICAGO RIVER



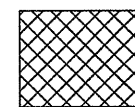
PIER 7 WEST FACE



PIER 7 EAST FACE



PIER C1 WEST FACE



STRUCTURAL REPAIR OF CONCRETE \leq 5"

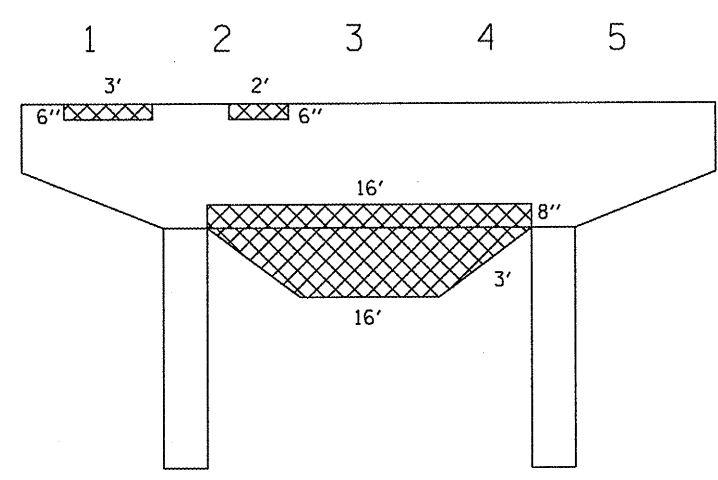
FILE NAME =	USER NAME = estmablek	DESIGNED -	REVISED -
cr:\p\work\VP\WIDOT\ESTIMABLEK\d0161538\0	01309-sht-plan.dgn	DRAWN -	REVISED -
	PLOT SCALE = 100.0000 ' / IN.	CHECKED -	REVISED -
	PLOT DATE = 1/5/2010	DATE -	REVISED -

STATE OF ILLINOIS
 DEPARTMENT OF TRANSPORTATION

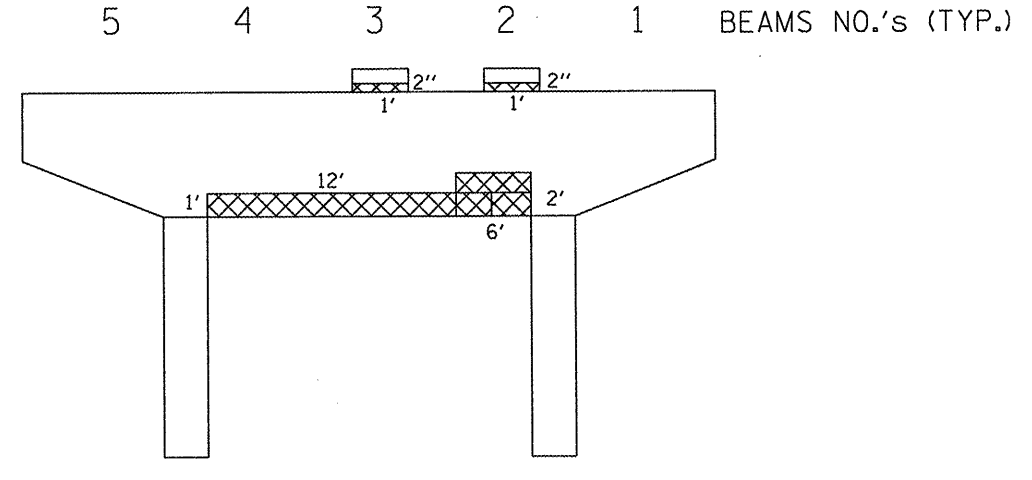
LOCATION 2	
SN 061-1030: I-290WB (IKE EXPWY/CONGRESS)/I-90/94 (DAN RYAN EXPWY)	
SCALE:	SHEET NO. 4 OF 4 SHEETS
STA.	TO STA.

F.A.P. RTE.	SECTION	COUNTY	TOTAL SHEETS	SHEET NO.
VAR.	2009-069 BR	COOK	39	12
CONTRACT NO. 60H77			ILLINOIS FED. AID PROJECT	

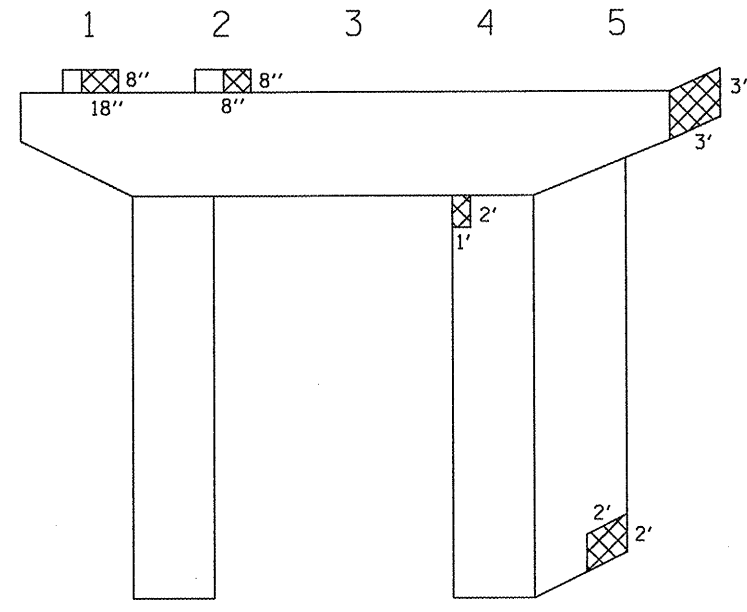
016-2448: I-290WB RAMP TO I-94 NB
 LOCATION: .1 M W. CANAL



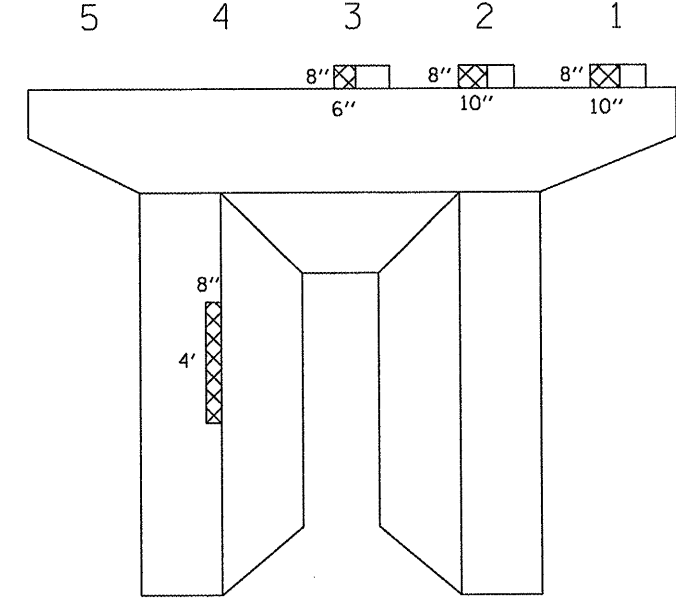
PIER E17 EAST FACE



PIER E17 WEST FACE



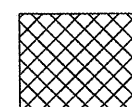
PIER 40 EAST FACE



PIER 40 WEST FACE

SN 016-2448 TOTAL BILL OF MATERIAL

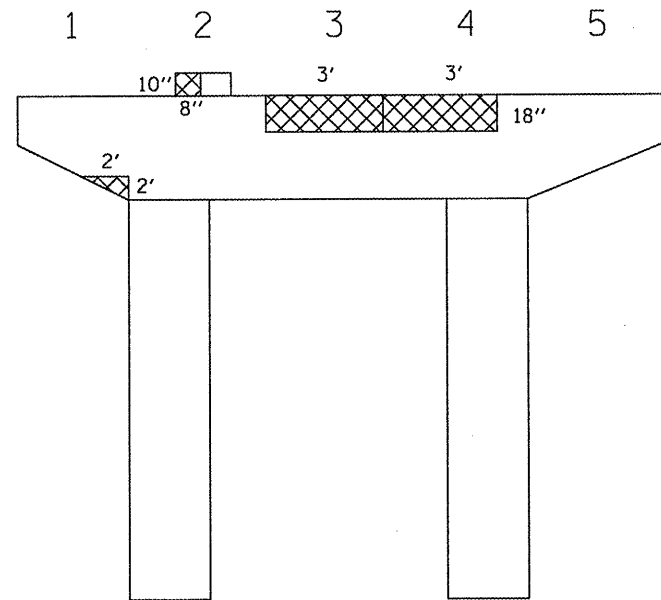
DESCRIPTION	UNIT	QUANTITY
STRUCTURAL REPAIR OF CONCRETE ≤ 5"	SQ FT	178



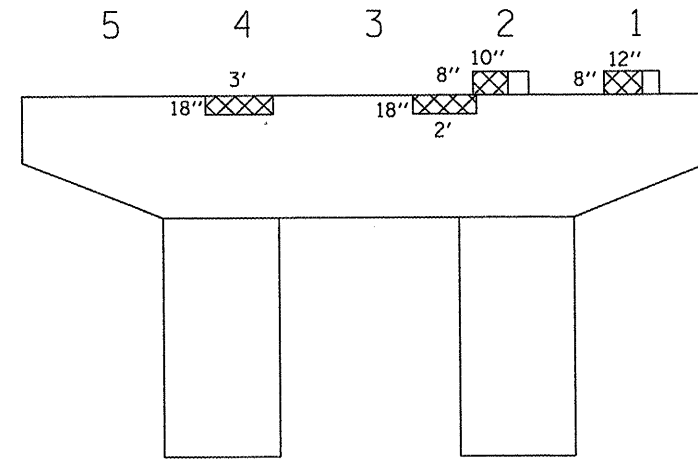
STRUCTURAL REPAIR OF CONCRETE ≤ 5"

D:\181309-shr-plan.dgn 1/5/2010 11:11:45 AM User=estimoblek

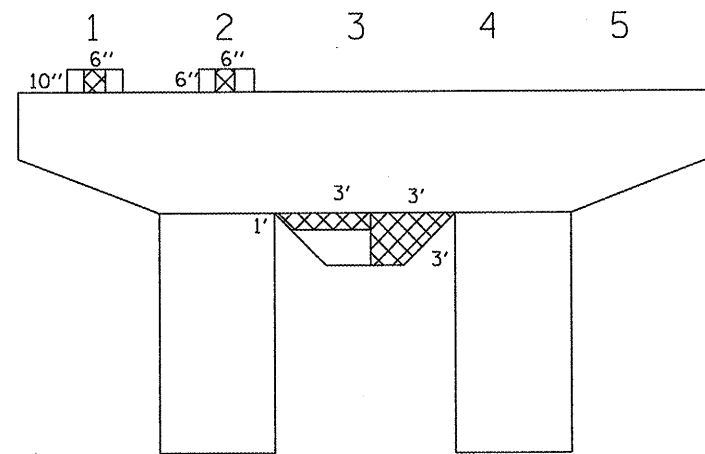
016-2448: I-290WB RAMP TO I-94 NB
 LOCATION: .1 M W. CANAL



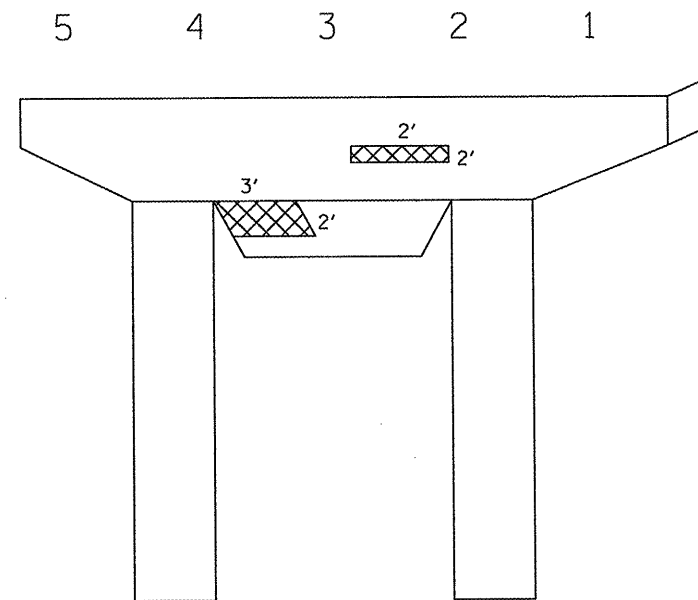
PIER 41 EAST FACE



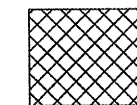
PIER 41 WEST FACE



PIER 42 EAST FACE



PIER 42 WEST FACE



STRUCTURAL REPAIR OF CONCRETE < 5"

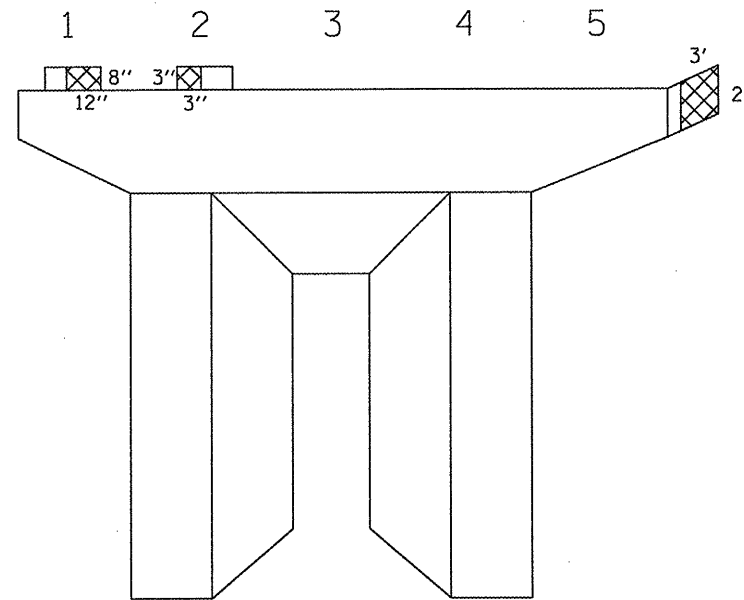
FILE NAME =	USER NAME = estimeblek	DESIGNED -	REVISED -
ct:\pwork\VPWIDOT\ESTIMABLE\j0161538\0	01309-ah-plot.dgn	DRAWN -	REVISED -
PLOT SCALE = 100.0000' / IN.	CHECKED -	REVISED -	REVISED -
PLOT DATE = 1/5/2010	DATE -	REVISED -	REVISED -

STATE OF ILLINOIS
 DEPARTMENT OF TRANSPORTATION

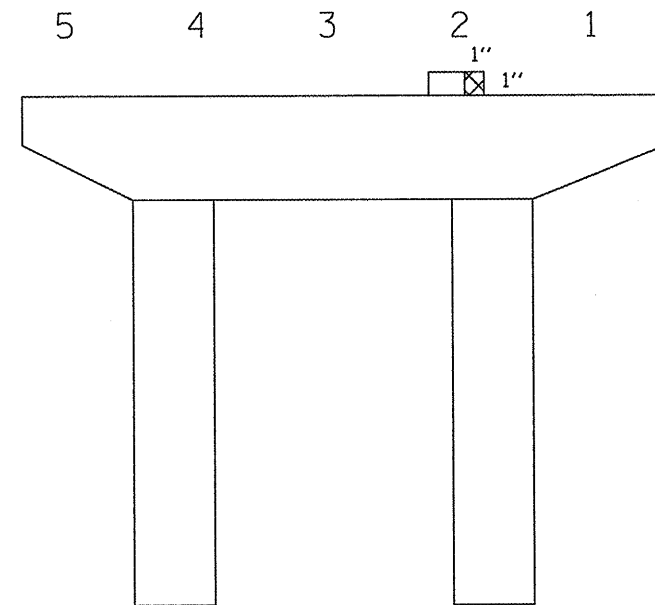
LOCATION 3	
SN 016-2448: I-290 WB RAMP TO I-94 NB	
SCALE:	TO STA.
SHEET NO. 2 OF 3 SHEETS	STA.

F.A.P. RTE.	SECTION	COUNTY	TOTAL SHEETS	SHEET NO.
VAR.	2009-069 BR	COOK	39	14
CONTRACT NO. 60H77				
ILLINOIS FED. AID PROJECT				

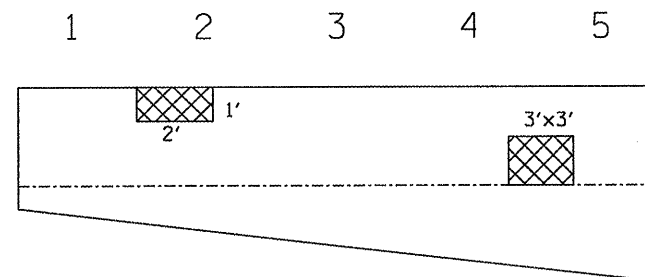
016-2448: I-290WB RAMP TO I-94 NB
 LOCATION: .1 M W. CANAL



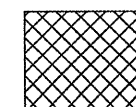
PIER 43 EAST FACE



PIER 43 WEST FACE



NORTH ABUTMENT # 44



STRUCTURAL REPAIR OF CONCRETE \leq 5"

FILE NAME =	USER NAME = estmablek
ca:\pwork\pwidot\ESTIMABLEK\d0161538\0	01389-ah-1-plan.dgn
PLOT SCALE = 100.0000' / IN.	PLOT DATE = 1/5/2010

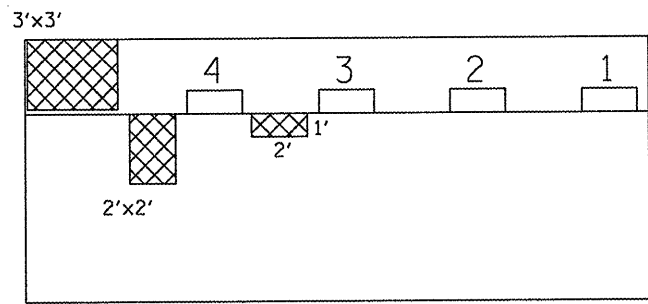
DESIGNED -	REVISED -
DRAWN -	REVISED -
CHECKED -	REVISED -
DATE -	REVISED -

**STATE OF ILLINOIS
 DEPARTMENT OF TRANSPORTATION**

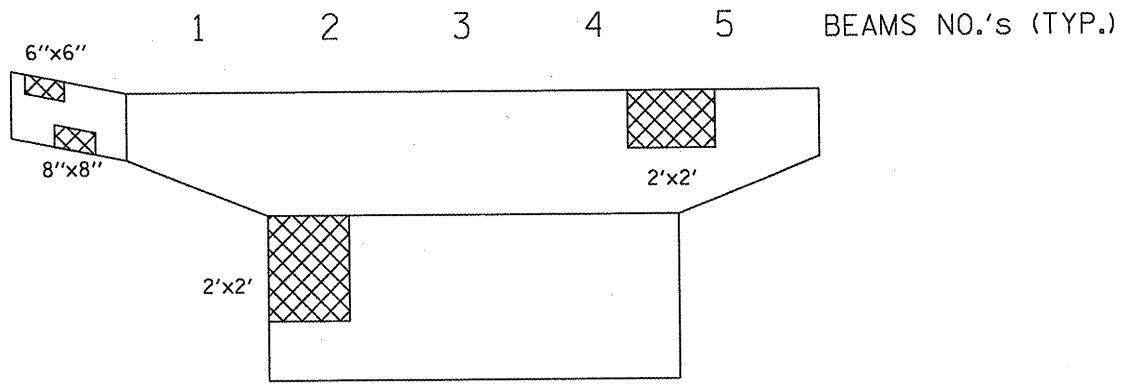
LOCATION 3	
SN 016-2448: I-290 WB RAMP TO I-94 NB	
SCALE:	SHEET NO. 3 OF 3 SHEETS
STA.	TO STA.

F.A.P. RTE.	SECTION	COUNTY	TOTAL SHEETS	SHEET NO.
VAR.	2009-069 BR	COOK	39	15
CONTRACT NO. 60H77				
ILLINOIS FED. AID PROJECT				

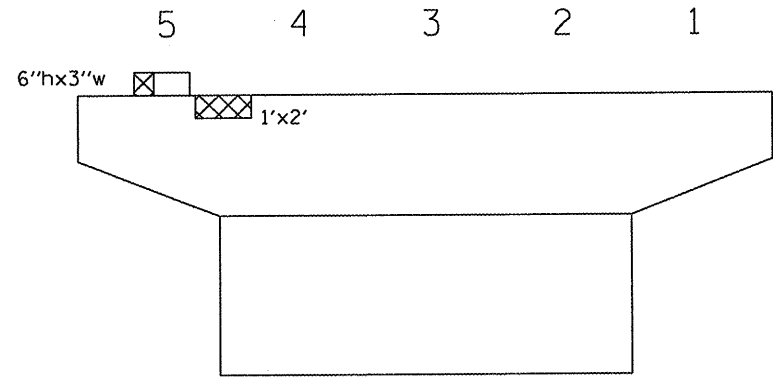
016-2449: I-90, 94 NB RAMP TO I-290 WB/I-90, 94
 LOCATION: .4 M NORTH ROOSEVELT



SOUTH ABUTMENT # 77



PIER 76 SOUTH FACE



PIER 76 NORTH FACE

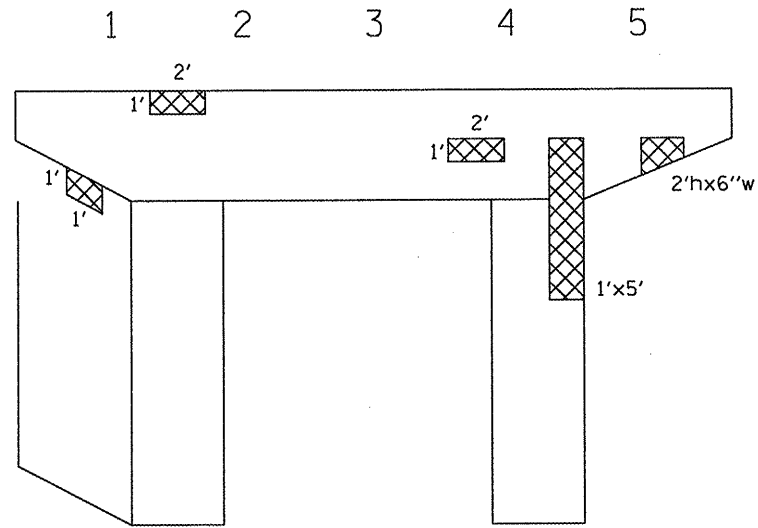
SN 016-2449 TOTAL BILL OF MATERIAL

DESCRIPTION	UNIT	QUANTITY
STRUCTURAL REPAIR OF CONCRETE \leq 5"	SQ FT	206

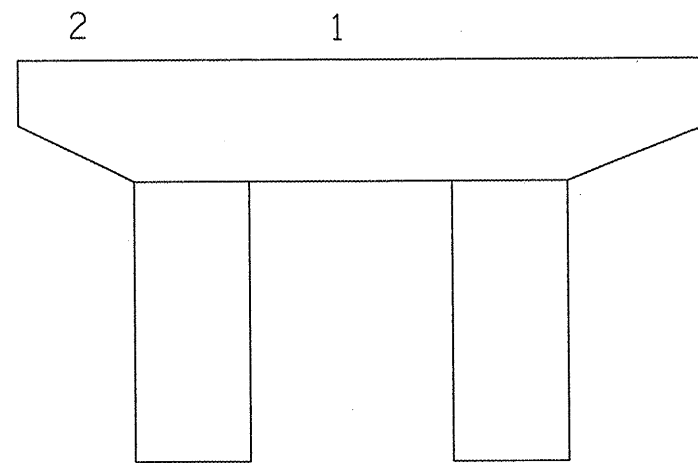
 STRUCTURAL REPAIR OF CONCRETE \leq 5"

D:\1309-sht-plan.dgn 1/5/2010 2:15:31 PM User:estmablek

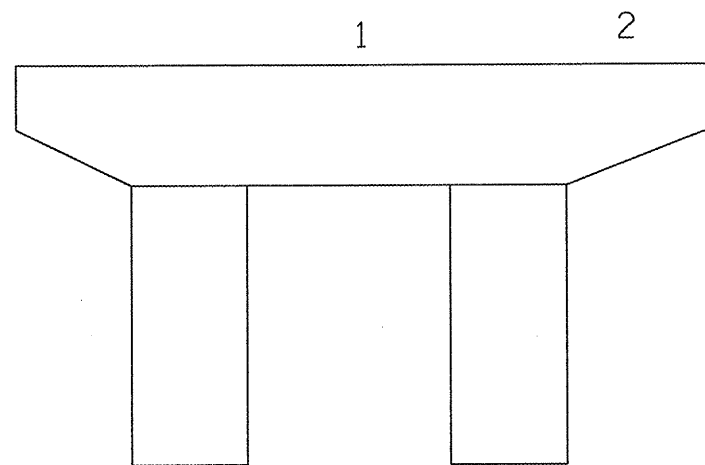
016-2449: I-90, 94 NB RAMP TO I-290 WB/I-90, 94
 LOCATION: .4 M NORTH ROOSEVELT



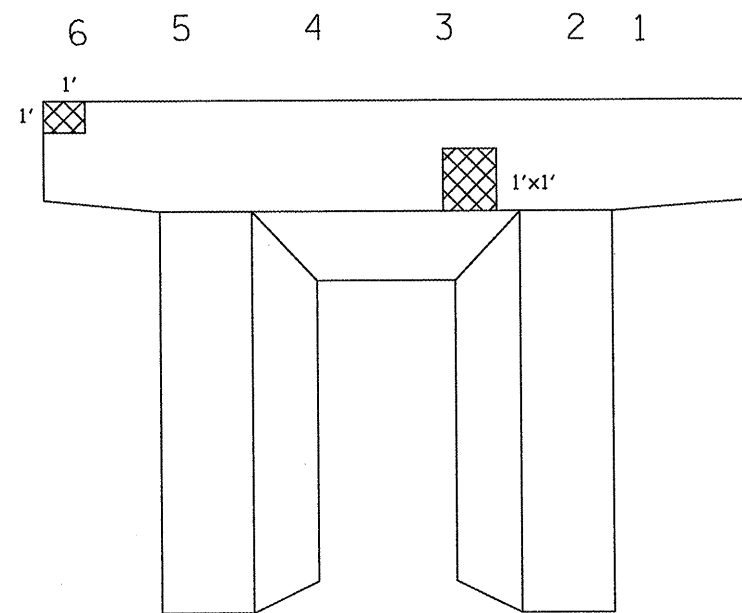
PIER 75 SOUTH FACE



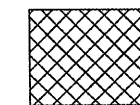
PIER 75 NORTH FACE



PIER 74 EAST FACE



PIER 74 WEST FACE
 (KENNEDY SIDE OF THE PIER)



STRUCTURAL REPAIR OF CONCRETE ≤ 5"

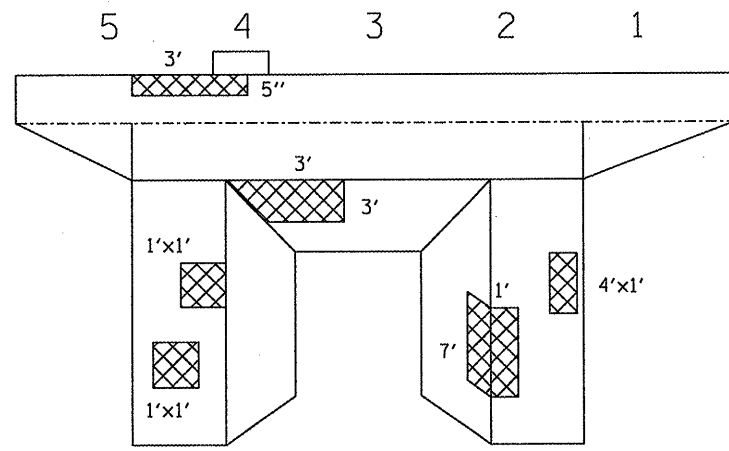
FILE NAME =	USER NAME = estmablek	DESIGNED -	REVISED -
cr\pw\work\pwi\dot\estmablek\d0161538\0161309-sht-plan.dgn		DRAWN -	REVISED -
	PLOT SCALE = 100.0000' / IN.	CHECKED -	REVISED -
	PLOT DATE = 1/5/2010	DATE -	REVISED -

STATE OF ILLINOIS
 DEPARTMENT OF TRANSPORTATION

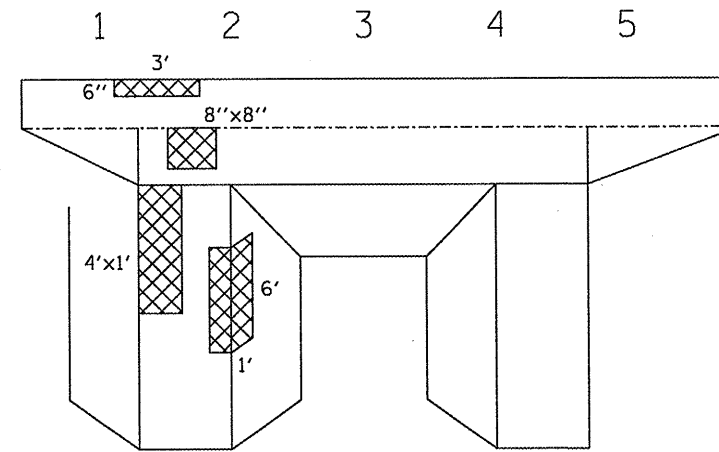
LOCATION 4	
SN 016-2449: I-90, 94 NB RAMP TO I-290 WB/I-90, 94	
SCALE:	SHEET NO. 2 OF 4 SHEETS STA. TO STA.

F.A.P. RTE.	SECTION	COUNTY	TOTAL SHEETS	SHEET NO.
VAR.	2009-069 BR	COOK	39	17
CONTRACT NO. 60H77			ILLINOIS FED. AID PROJECT	

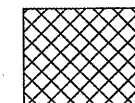
016-2449: I-90, 94 NB RAMP TO I-290 WB/I-90, 94
 LOCATION: .4 M NORTH ROOSEVELT



PIER 72 WEST FACE



PIER 72 EAST FACE



STRUCTURAL REPAIR OF CONCRETE \leq 5"

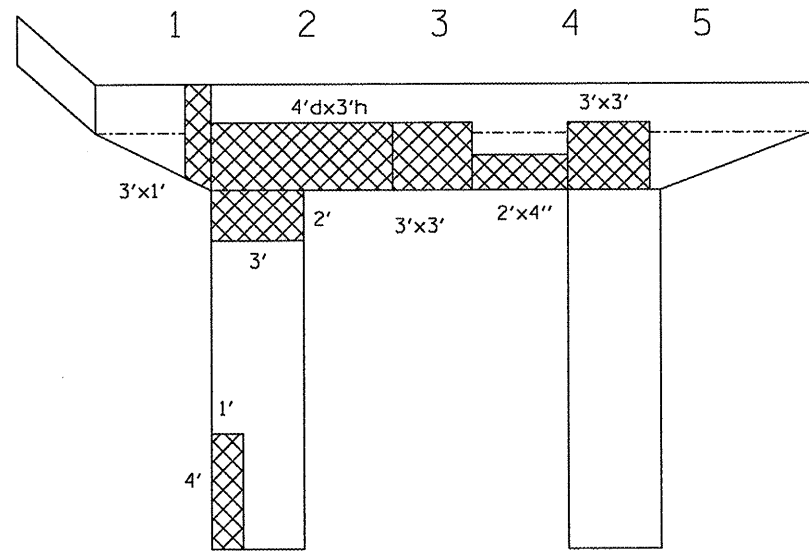
FILE NAME =	USER NAME = estimeblek	DESIGNED -	REVISED -
cr:\pwork\pwork\estimeblek\d0161538\0161389-sht-plan.dgn		DRAWN -	REVISED -
	PLOT SCALE = 100.0000' / IN.	CHECKED -	REVISED -
	PLOT DATE = 1/5/2010	DATE -	REVISED -

STATE OF ILLINOIS
 DEPARTMENT OF TRANSPORTATION

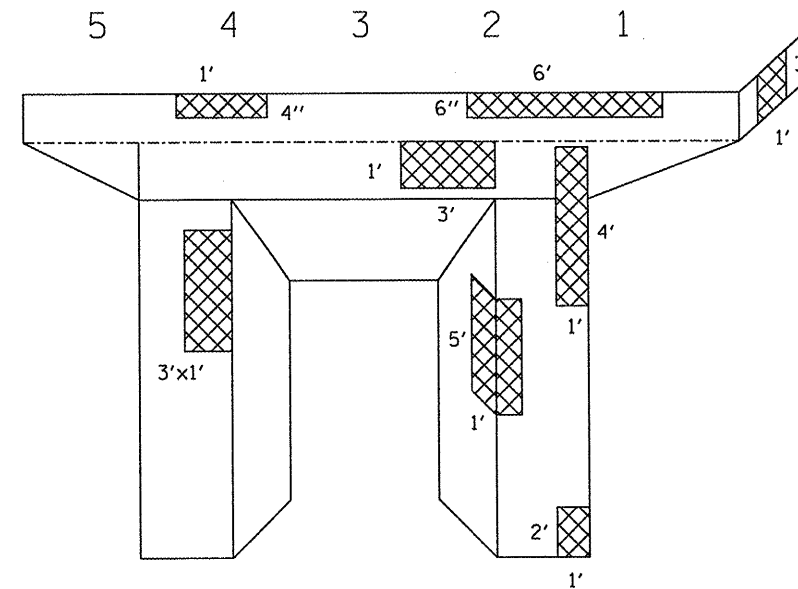
LOCATION 4	
SN 016-2449: I-90, 94 NB RAMP TO I-290 WB-I-90, 94	
SCALE:	SHEET NO. 3 OF 4 SHEETS STA. TO STA.

F.A.P. RTE.	SECTION	COUNTY	TOTAL SHEETS	SHEET NO.
VAR.	2009-069 BR	COOK	39	18
CONTRACT NO. 60H77			ILLINOIS FED. AID PROJECT	

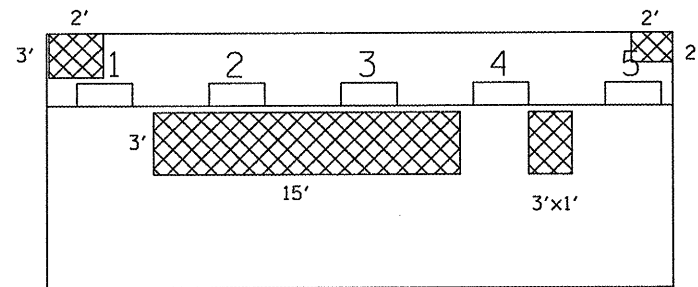
016-2449: I-90, 94 NB RAMP TO I-290 WB/I-90, 94
 LOCATION: .4 M NORTH ROOSEVELT



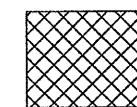
PIER 71 EAST FACE



PIER 71 WEST FACE



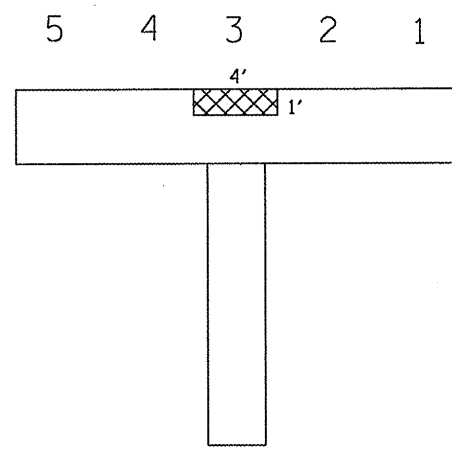
WEST ABUTMENT #70



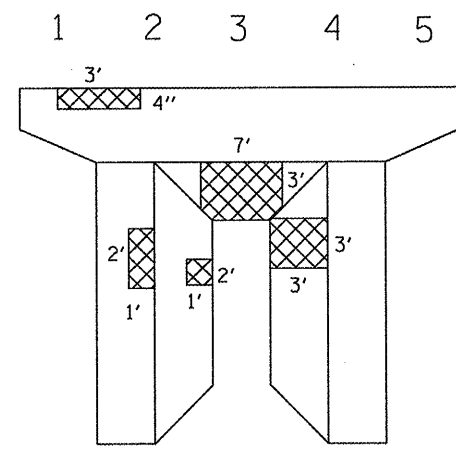
STRUCTURAL REPAIR OF CONCRETE \leq 5"

FILE NAME =	USER NAME = estmablek	DESIGNED -	REVISED -	STATE OF ILLINOIS DEPARTMENT OF TRANSPORTATION	LOCATION 4		F.A.P. RTE.	SECTION	COUNTY	TOTAL SHEETS	SHEET NO.
ct:\proj\work\proj\dot\estmablek\d0161538\0161309-shr-plan.dgn		DRAWN -	REVISED -		SN 016-2449: I-90, 94 NB RAMP TO I-290 WB-I-90, 94		VAR.	2009-069 BR	COOK	39	19
		CHECKED -	REVISED -		SCALE:	SHEET NO. 4 OF 4 SHEETS	STA.			CONTRACT NO. 60H77	
		DATE -	REVISED -								ILLINOIS FED. AID PROJECT

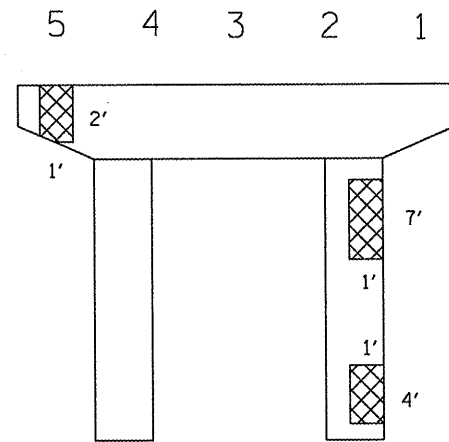
016-2450: I-290 WB RAMP TO I-90, 94 SB/I-90, 94
 LOCATION: .9 M W. STATE ST.



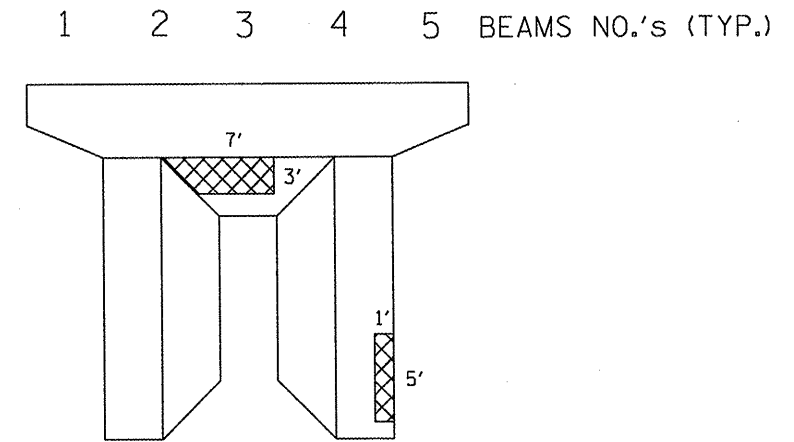
PIER E9 WEST FACE



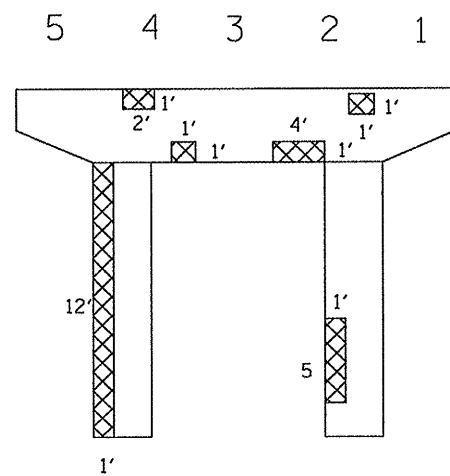
PIER 66 EAST FACE



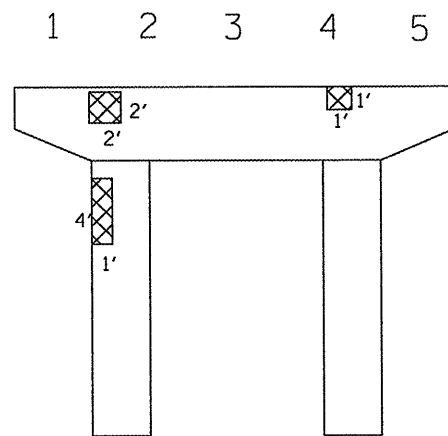
PIER 66 WEST FACE



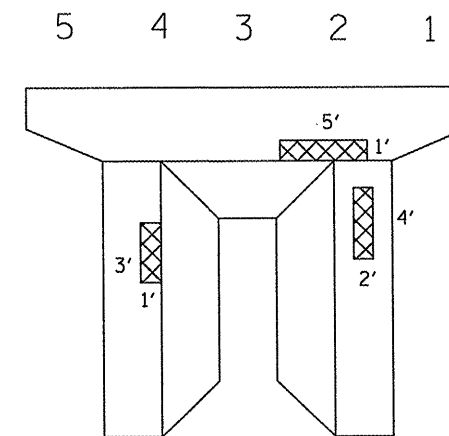
PIER 65 EAST FACE



PIER 65 WEST FACE



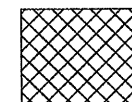
PIER 64 EAST FACE



PIER 64 WEST FACE

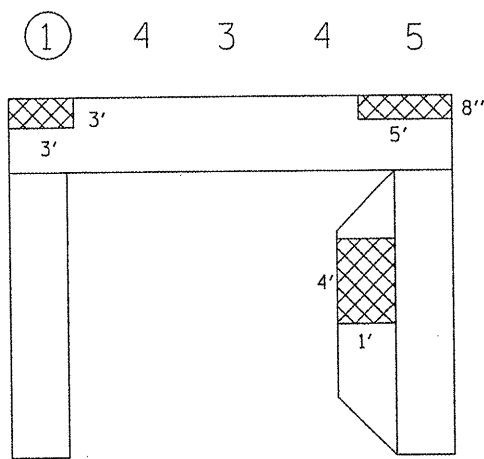
SN 016-2450 TOTAL BILL OF MATERIAL

DESCRIPTION	UNIT	QUANTITY
STRUCTURAL REPAIR OF CONCRETE \leq 5"	SQ FT	1182
TEMPORARY SUPPORT	EA	2

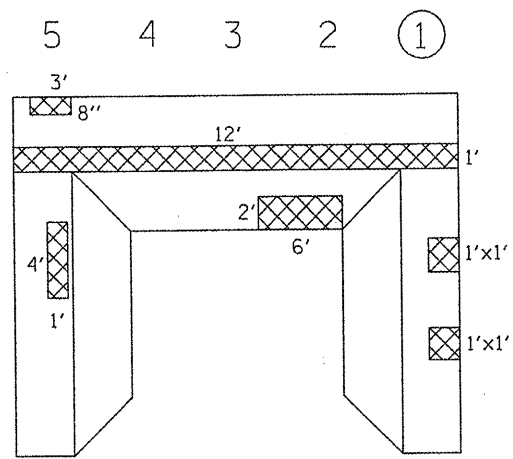


STRUCTURAL REPAIR OF CONCRETE \leq 5"

016-2450: I-290 WB RAMP TO I-90, 94 SB/I-90, 94
 LOCATION: .9 M W. STATE ST.

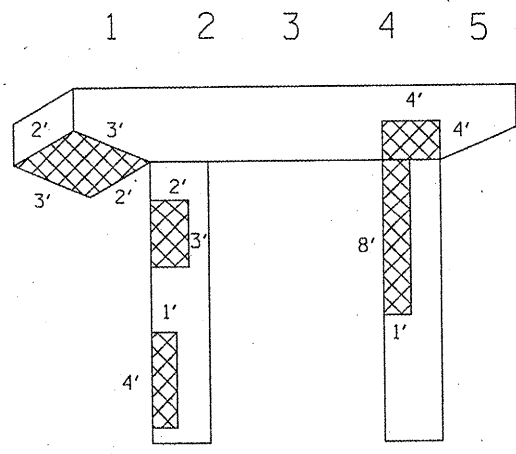


PIER 63 EAST FACE

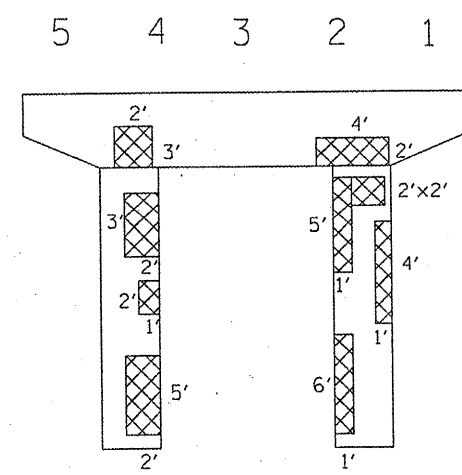


PIER 63 WEST FACE

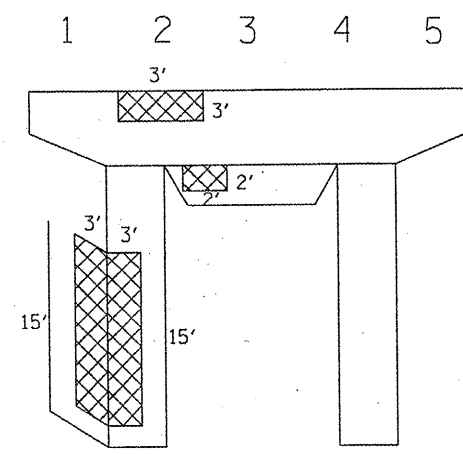
REACTIONS		
	PIER 63	
	East	West
R DL (k)	32.8	41.3
R LL (k)	33.7	35.3
R Imp (k)	9.8	9.5
T Total (k)	76.3	86.1



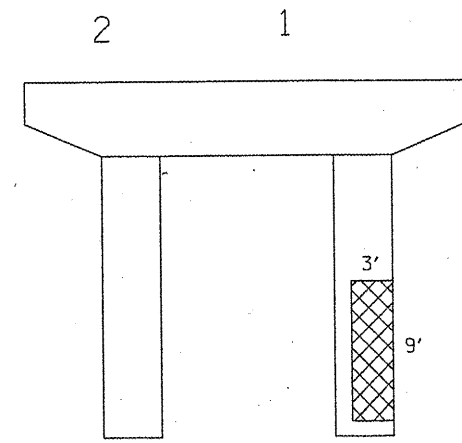
PIER 61 EAST FACE



PIER 61 WEST FACE

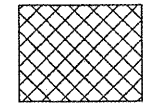


PIER 60 EAST FACE



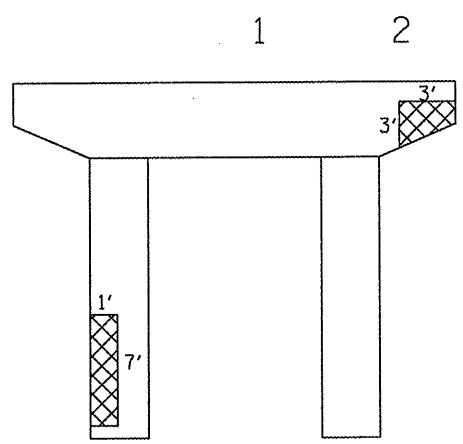
PIER 60 WEST FACE

○ BEAM NO. REQUIRING TEMPORARY SUPPORT SYSTEM

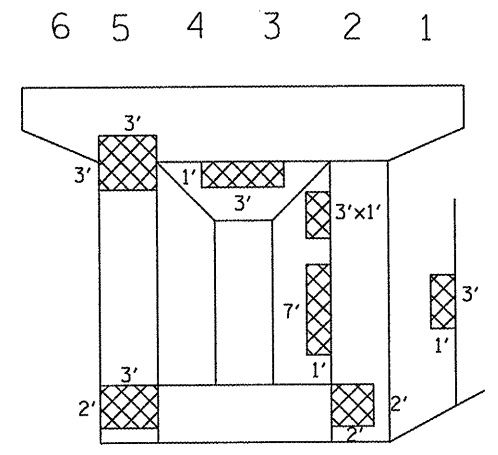


STRUCTURAL REPAIR OF CONCRETE ≤ 5"

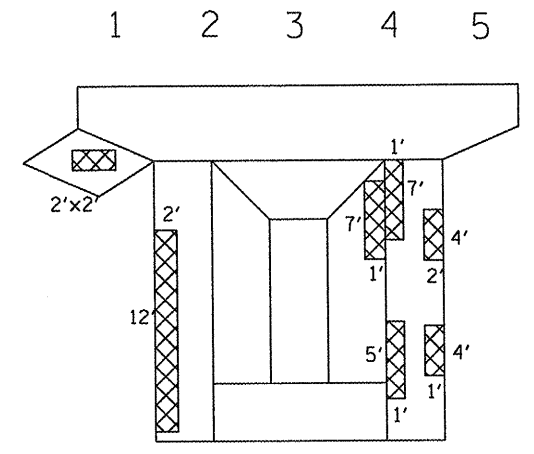
016-2450: I-290 WB RAMP TO I-90, 94 SB/I-90, 94
 LOCATION: .9 M W. STATE ST.



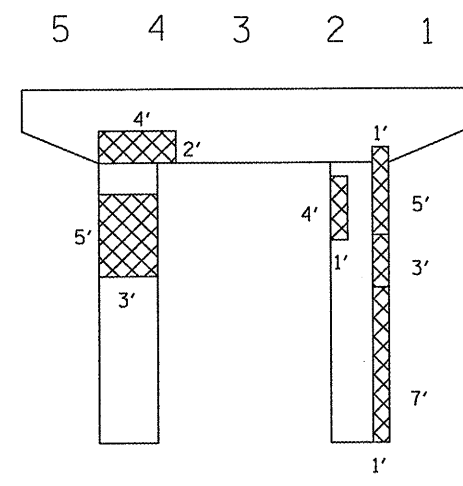
PIER 59 EAST FACE



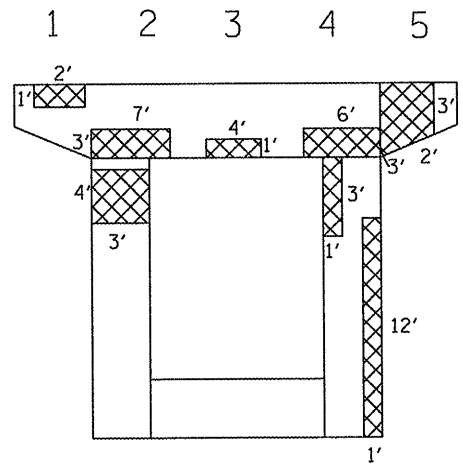
PIER 59 WEST FACE
 (KENNEDY SIDE OF PIER)



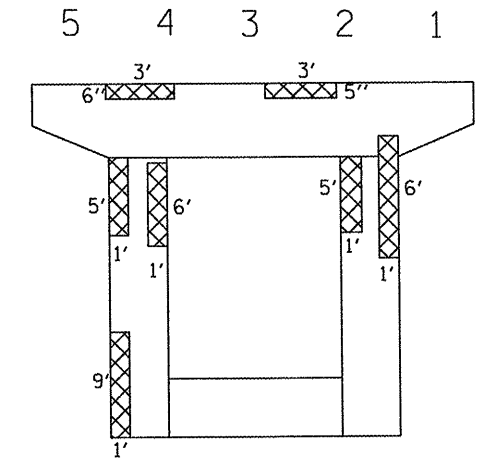
PIER 57 EAST FACE
 (KENNEDY SIDE OF PIER)



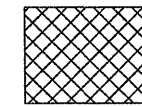
PIER 57 WEST FACE



PIER 56 EAST FACE



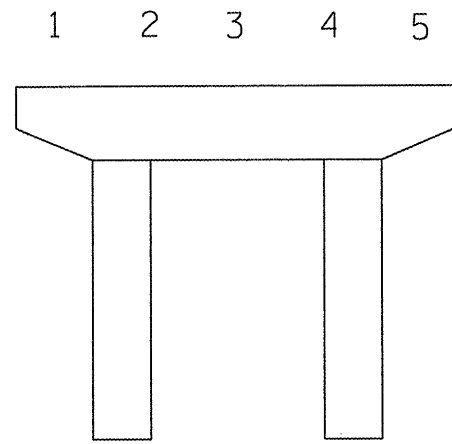
PIER 56 WEST FACE



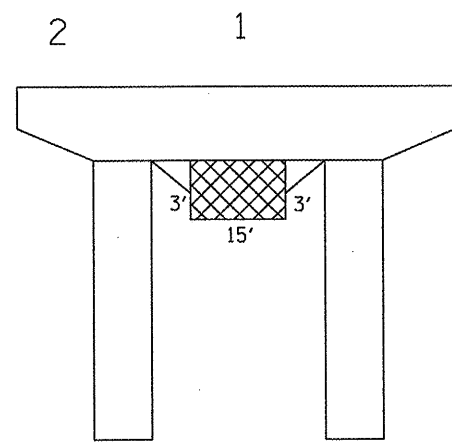
STRUCTURAL REPAIR OF CONCRETE \leq 5"

FILE NAME =	USER NAME = estimablek	DESIGNED -	REVISED -	STATE OF ILLINOIS DEPARTMENT OF TRANSPORTATION	LOCATION 5			F.A.P. RTE.	SECTION	COUNTY	TOTAL SHEETS	SHEET NO.
ct:\pw\work\PIWIDOT\ESTIMABLEK\d0161538\	81389-shr-plan.dgn	DRAWN -	REVISED -		SN 016-2450: I-290 WB RAMP TO I-90, 94 SB-I-90, 94			VAR.	2009-069 BR	COOK	39	22
PLOT SCALE = 1/8" = 1'-0"		CHECKED -	REVISED -		SCALE:	SHEET NO. 3 OF 7 SHEETS	STA.	TO STA.	CONTRACT NO. 60H77			
PLOT DATE = 1/5/2010		DATE -	REVISED -		ILLINOIS FED. AID PROJECT							

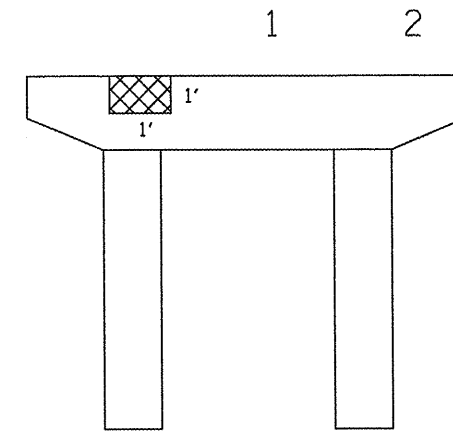
016-2450: I-290 WB RAMP TO I-90, 94 SB/I-90, 94
 LOCATION: .9 M W. STATE ST.



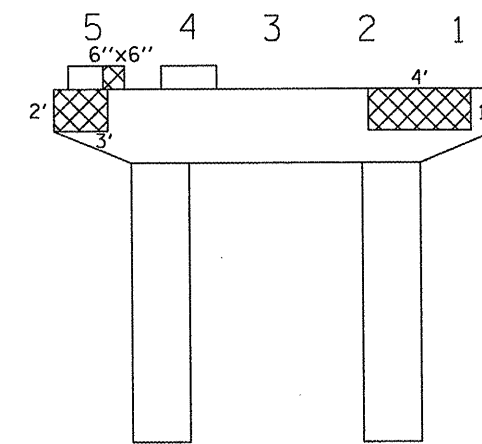
PIER 55 WEST FACE



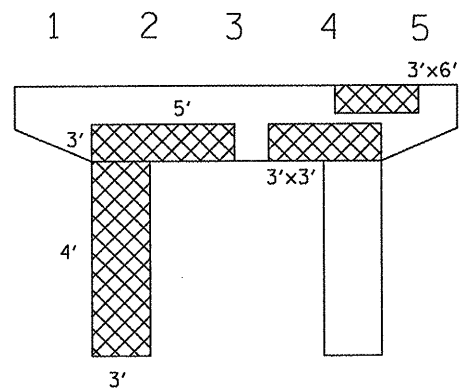
PIER 55 WEST FACE



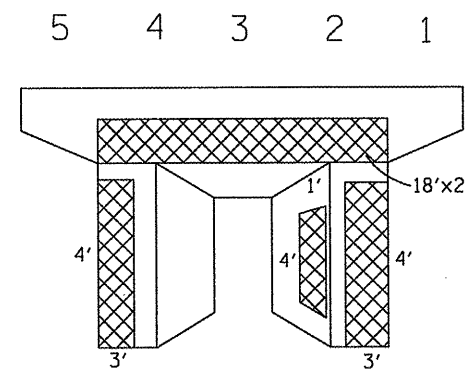
PIER 54 EAST FACE



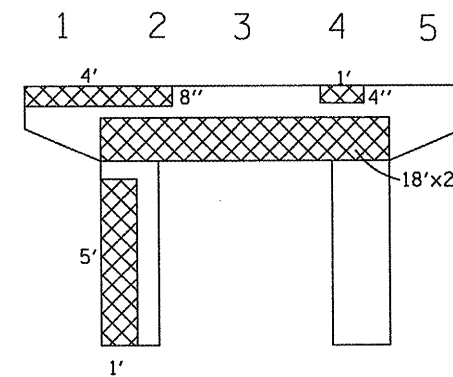
PIER 54 WEST FACE



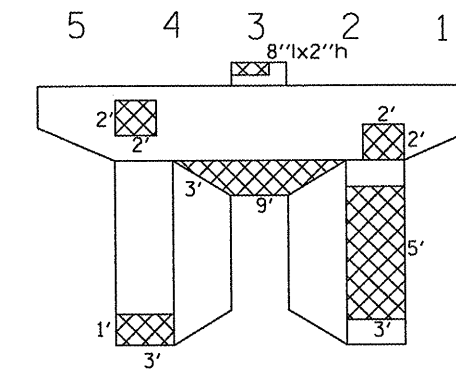
PIER 53 EAST FACE



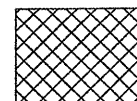
PIER 53 WEST FACE



PIER 52 EAST FACE



PIER 52 WEST FACE



STRUCTURAL REPAIR OF CONCRETE \leq 5"

FILE NAME =	USER NAME = estimablek
ct:\pwwork\VP\WIDOT\ESTIMABLEK\0161538\0	91389-sht-plan.dgn
PLOT SCALE = 100,0000' / IN.	PLOT DATE = 1/5/2010

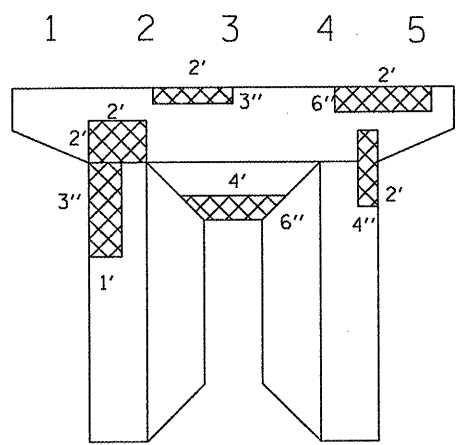
DESIGNED -	REVISED -
DRAWN -	REVISED -
CHECKED -	REVISED -
DATE -	REVISED -

STATE OF ILLINOIS
 DEPARTMENT OF TRANSPORTATION

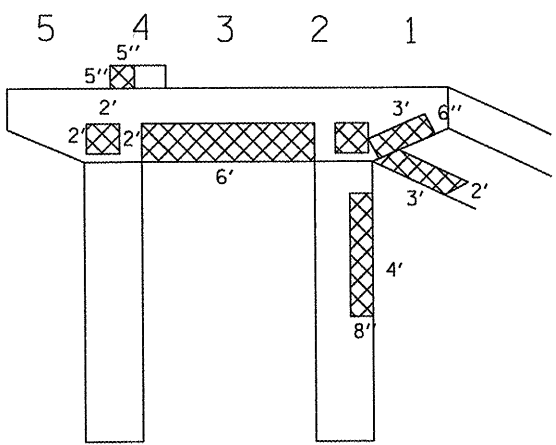
LOCATION 5	
SN 016-2450: I-290 WB RAMP TO I-90, 94 SB-I-90, 94	
SCALE:	SHEET NO. 4 OF 7 SHEETS
STA.	TO STA.

F.A.P. RTE.	SECTION	COUNTY	TOTAL SHEETS	SHEET NO.
VAR.	2009-069 BR	COOK	39	23
CONTRACT NO. 60H77				
ILLINOIS FED. AID PROJECT				

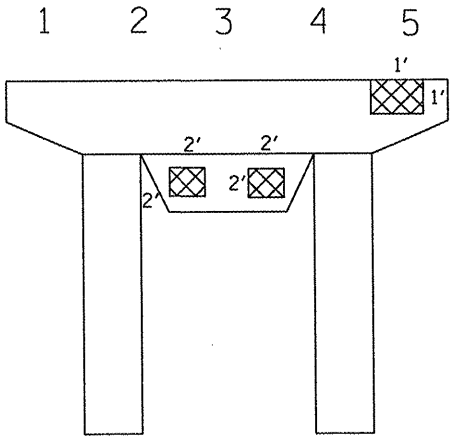
016-2450: I-290 WB RAMP TO I-90, 94 SB/I-90, 94
 LOCATION: .9 M W. STATE ST.



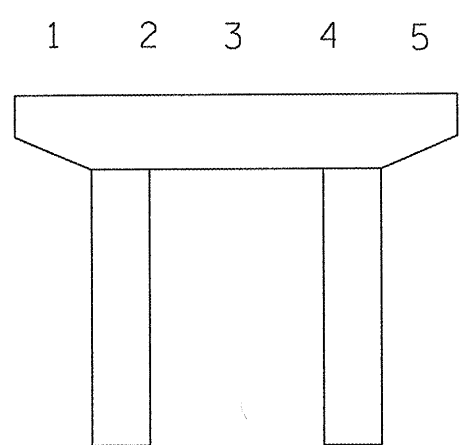
PIER 51 EAST FACE



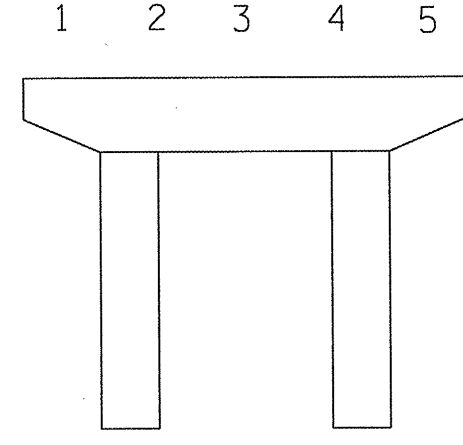
PIER 51 WEST FACE



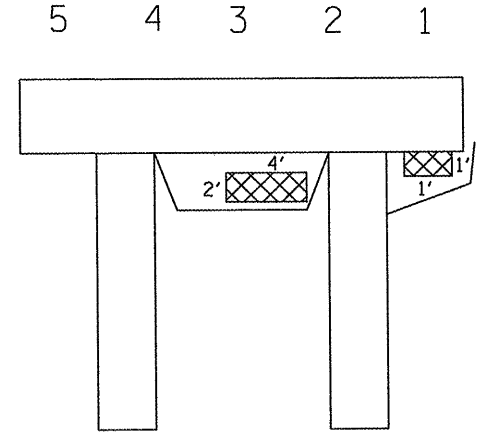
PIER E10 NORTH FACE



PIER E10 SOUTH FACE



PIER E11 NORTH FACE

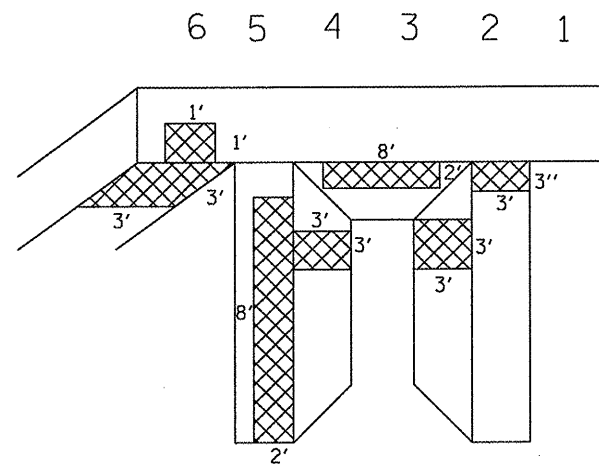


PIER E11 SOUTH FACE

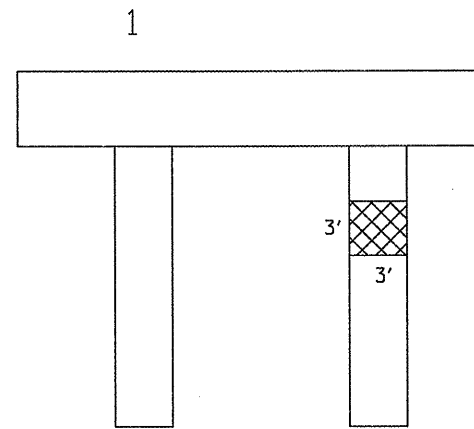
 STRUCTURAL REPAIR OF CONCRETE ≤ 5"

FILE NAME =	USER NAME = estimablek	DESIGNED -	REVISED -	STATE OF ILLINOIS DEPARTMENT OF TRANSPORTATION	LOCATION 5		F.A.P. RTE. VAR.	SECTION	COUNTY	TOTAL SHEETS	SHEET NO.
et:\work\p\WIDOT\ESTIMABLEK\0161538\0	01309-sht-plan.dgn	DRAWN -	REVISED -		SN 016-2450: I-290 WB RAMP TO I-90, 94 SB-I-90, 94			2009-069 BR	COOK	39	24
		PLOT SCALE = 1/8" = 1' / IN.	REVISED -		SCALE:	SHEET NO. 5 OF 7 SHEETS	STA.	CONTRACT NO. 60H77			
		PLOT DATE = 1/5/2010	REVISED -				TO STA.	ILLINOIS FED. AID PROJECT			

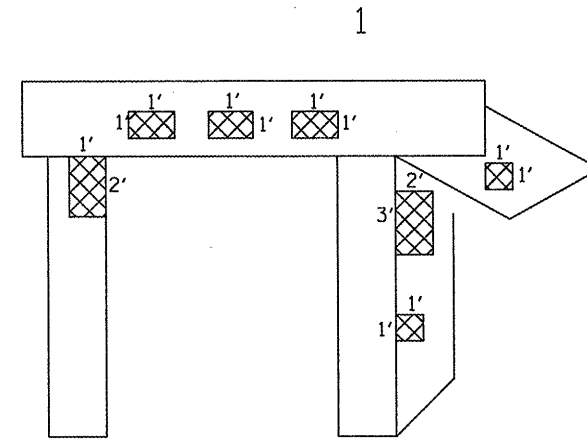
016-2450: I-290 WB RAMP TO I-90, 94 SB/I-90, 94
 LOCATION: .9 M W. STATE ST.



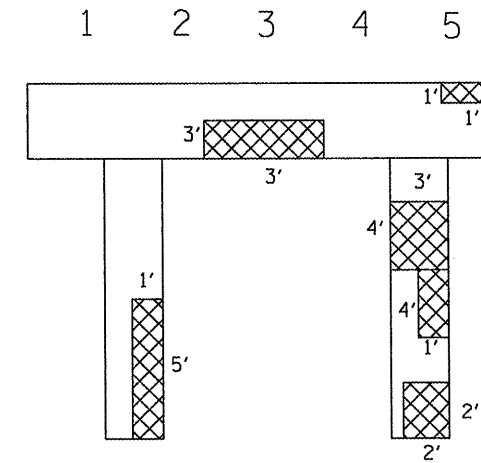
PIER E14 NORTH FACE



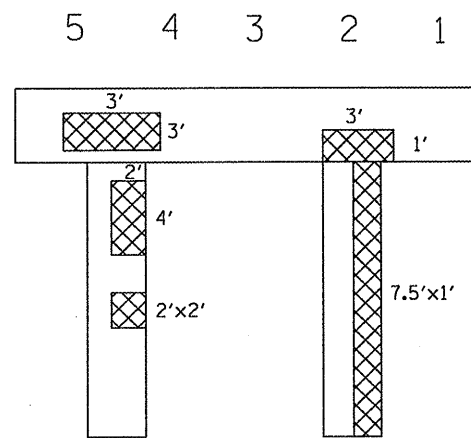
PIER E14 SOUTH FACE



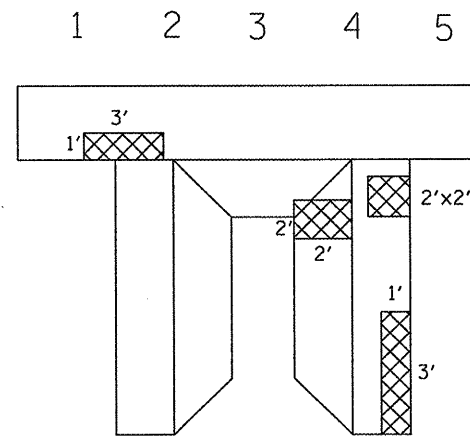
PIER E15 NORTH FACE



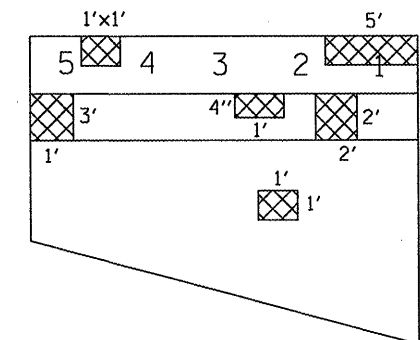
PIER E15 SOUTH FACE



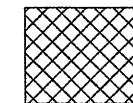
PIER E16 NORTH FACE



PIER 16 SOUTH FACE



ABUTMENT #50



STRUCTURAL REPAIR OF CONCRETE \leq 5"

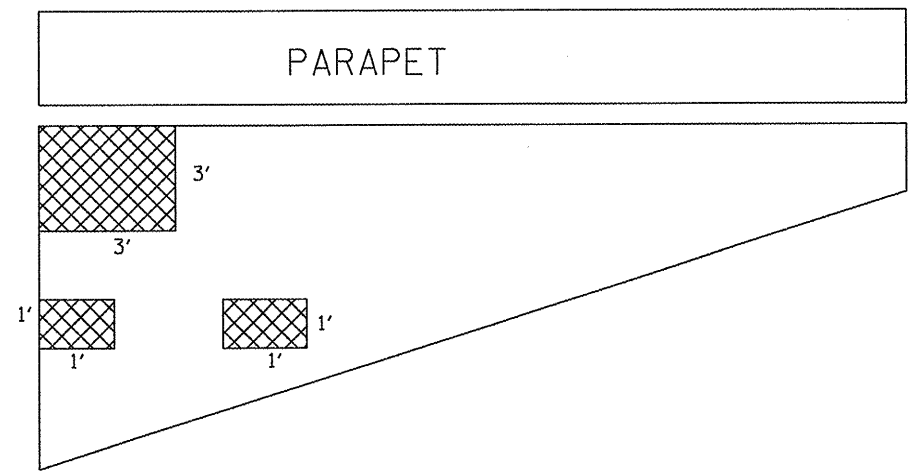
FILE NAME =	USER NAME = estmablek	DESIGNED -	REVISED -
ca\pwwork\VPWIDOT\ESTIMABLEK\0161538\0	81389-sht-plan.dgn	DRAWN -	REVISED -
	PLOT SCALE = 100.0000' / 1"	CHECKED -	REVISED -
	PLOT DATE = 1/5/2010	DATE -	REVISED -

STATE OF ILLINOIS
 DEPARTMENT OF TRANSPORTATION

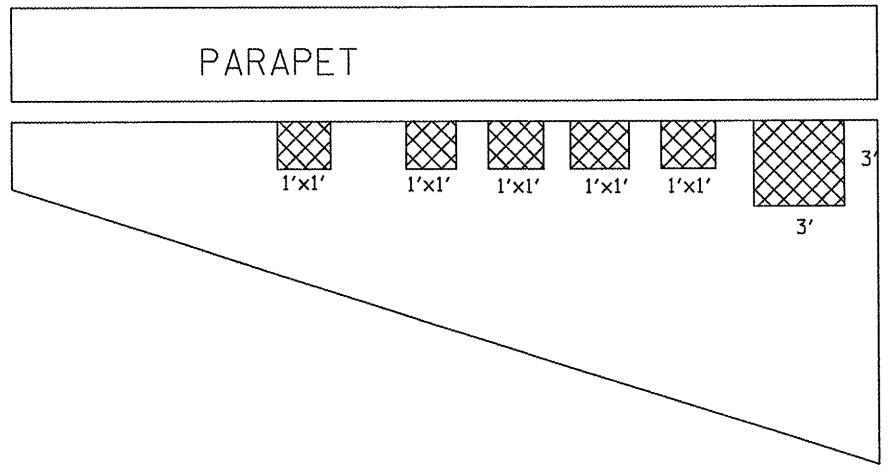
LOCATION 5	
SN 016-2450: I-290 WB RAMP TO I-90, 94 SB-I-90, 94	
SCALE:	SHEET NO. 6 OF 7 SHEETS
STA.	TO STA.

F.A.P. RTE.	SECTION	COUNTY	TOTAL SHEETS	SHEET NO.
VAR.	2009-069 BR	COOK	39	25
CONTRACT NO. 60H77				
ILLINOIS FED. AID PROJECT				

016-2450: I-290 WB RAMP TO I-90, 94 SB/I-90, 94
 LOCATION: .9 M W. STATE ST.



ABUTMENT 50
SW WINGWALL

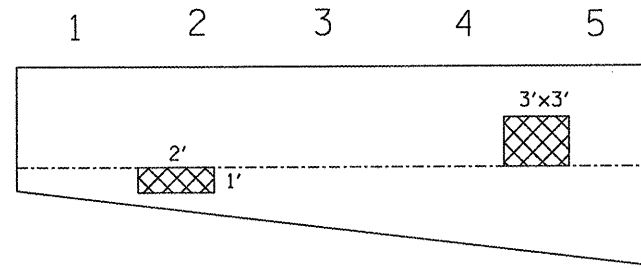


ABUTMENT 50
SE WINGWALL

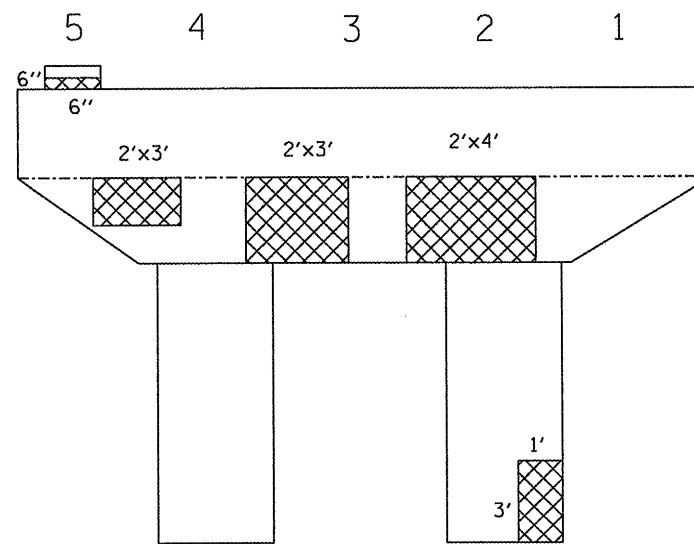
 STRUCTURAL REPAIR OF CONCRETE ≤ 5"

FILE NAME =	USER NAME = estimablek	DESIGNED -	REVISED -	STATE OF ILLINOIS DEPARTMENT OF TRANSPORTATION	LOCATION 5		F.A.P. RTE.	SECTION	COUNTY	TOTAL SHEETS	SHEET NO.
ct:\pw\work\ESTIMABLE\0161538\0161538-01.dgn	0161538-01.dgn	DRAWN -	REVISED -		SN 016-2450: I-290 WB RAMP TO I-90, 94 SB/I-90, 94		VAR.	2009-069 BR	COOK	39	26
		PLOT SCALE = 100.0000' / IN.	CHECKED -		SCALE:	SHEET NO. 7 OF 7 SHEETS	STA.	ILLINOIS FED. AID PROJECT		CONTRACT NO. 60H77	
		PLOT DATE = 1/5/2010	DATE -				TO STA.				

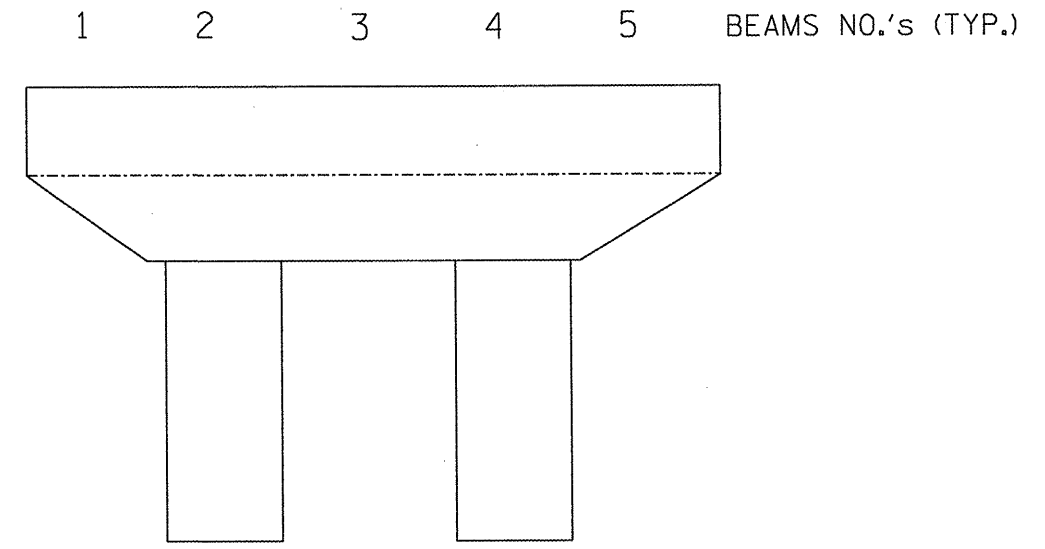
016-2451: I-94 NB RAMP TO I-290 EB OVER I-290 EB RAMP TO I-94 NB
 LOCATION: .4 M N. ROOSEVELT RD



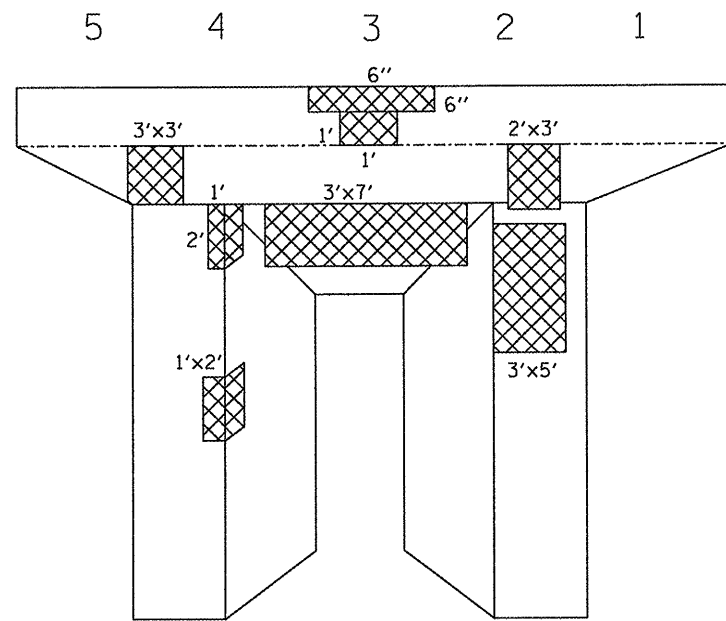
WEST ABUTMENT #30



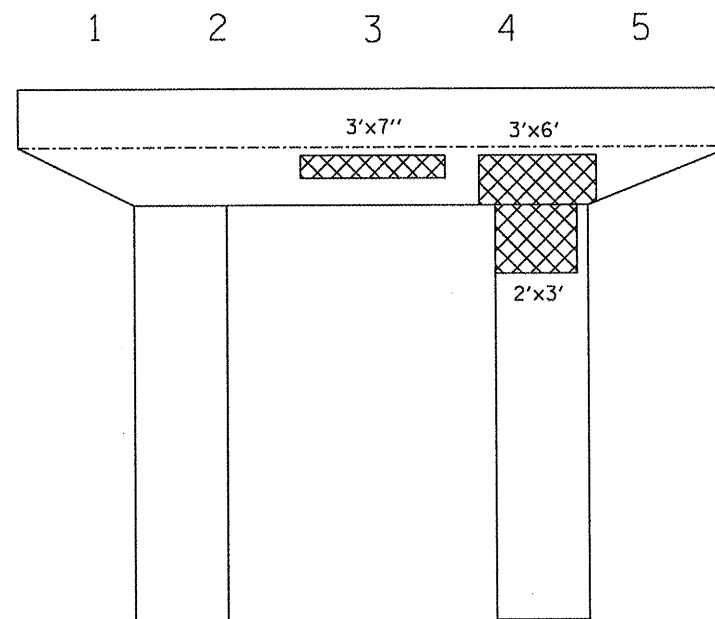
PIER 31 WEST FACE



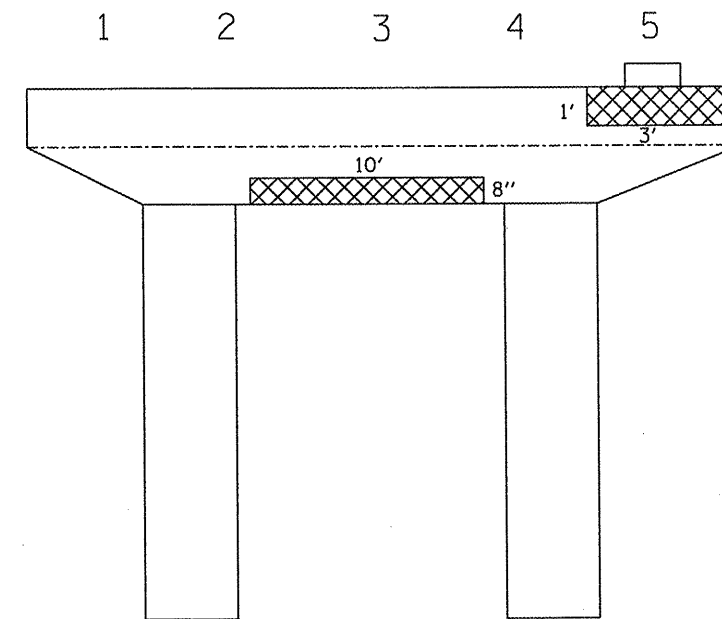
PIER 31 EAST FACE



PIER 32 WEST FACE



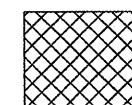
PIER 32 EAST FACE



PIER 33 WEST FACE

SN 016-2451 TOTAL BILL OF MATERIAL

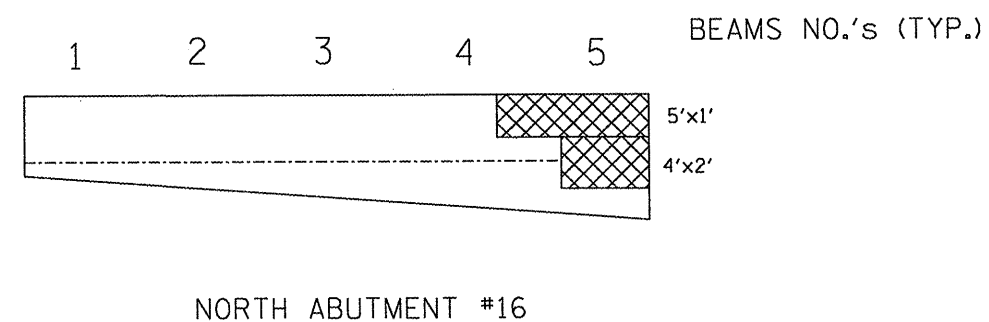
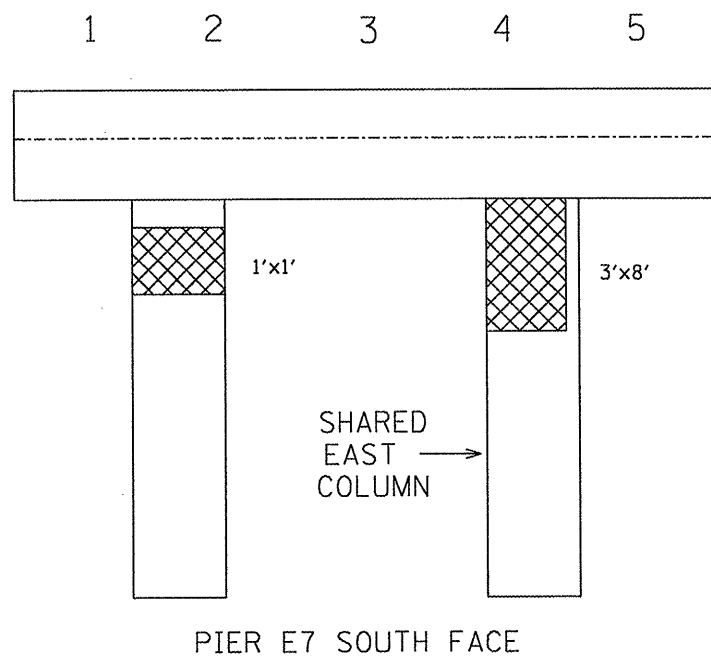
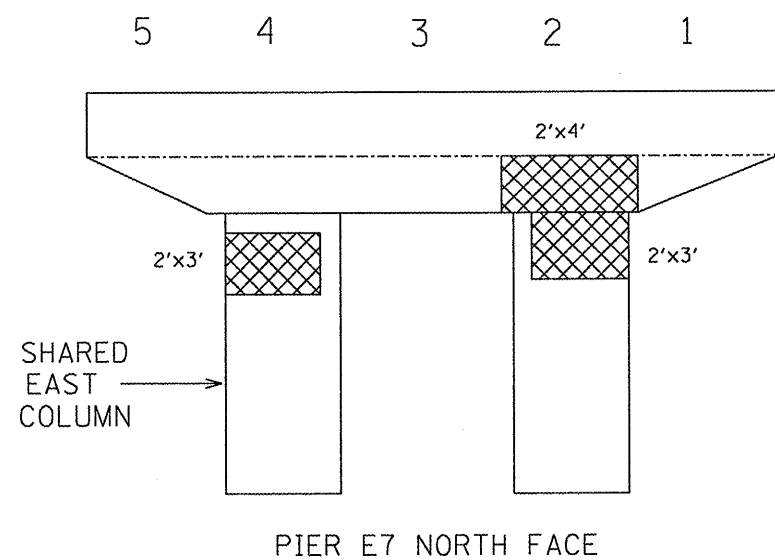
DESCRIPTION	UNIT	QUANTITY
STRUCTURAL REPAIR OF CONCRETE ≤ 5"	SQ FT	134



STRUCTURAL REPAIR OF CONCRETE ≤ 5"

FILE NAME =	USER NAME = estmablek	DESIGNED -	REVISED -	STATE OF ILLINOIS DEPARTMENT OF TRANSPORTATION	LOCATION 6			F.A.P. RTE.	SECTION	COUNTY	TOTAL SHEETS	SHEET NO.
cd:\pw\work\PIWIDOT\ESTIMABLEK\d0161538\0	01309-shr-plan.dgn	DRAWN -	REVISED -		SN 016-2451: I-94 NB RAMP TO I-290 EB OVER I-290 EB RAMP TO I-94 NB			VAR.	2009-069 BR	COOK	39	27
		PLOT SCALE = 100.0000' / IN.	CHECKED -		SCALE:	SHEET NO. 1 OF 1 SHEETS	STA.	TO STA.	CONTRACT NO. 60H77			
		PLOT DATE = 1/5/2010	DATE -		REVISED -	ILLINOIS FED. AID PROJECT						

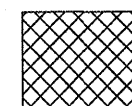
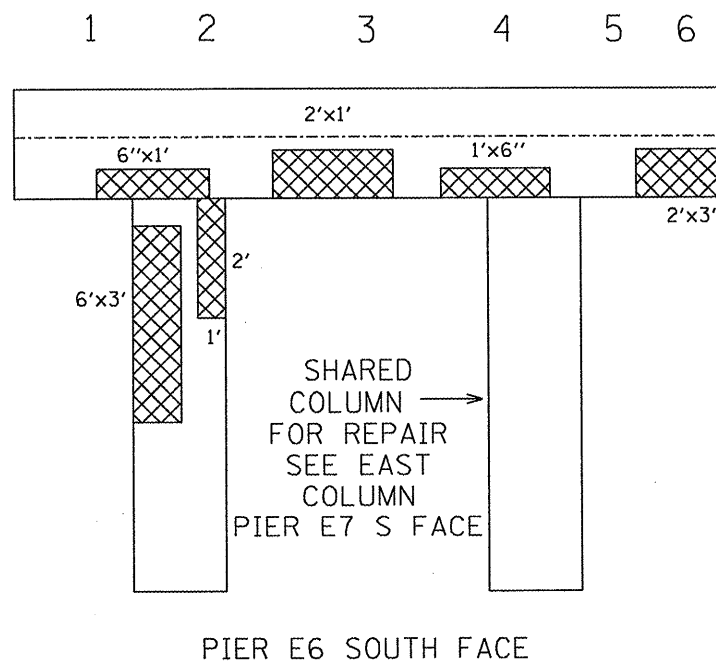
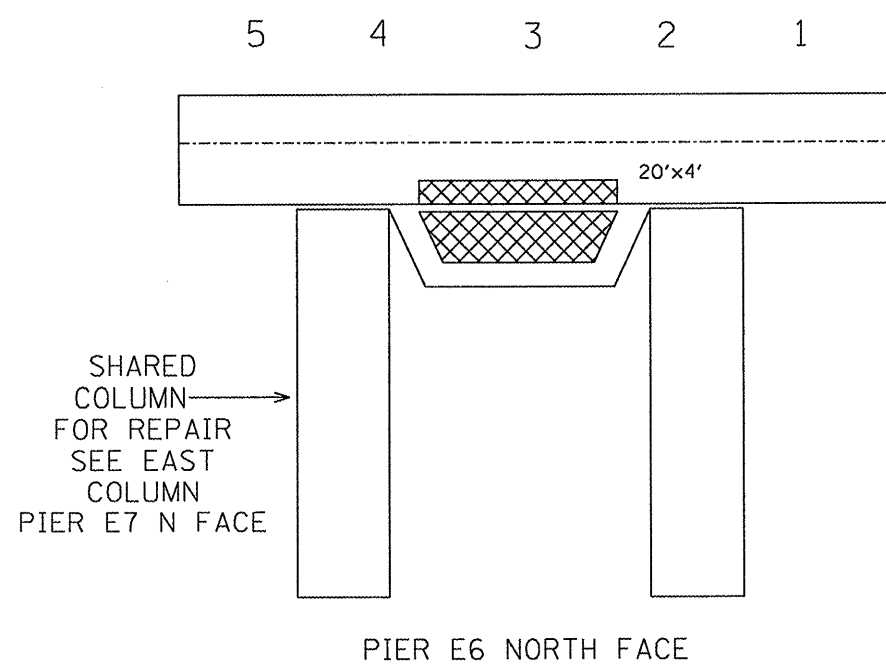
016-2452: I-94 SB RAMP TO I-290 EB/I-290 & I-90,94
 LOCATION: .1 M SOUTH JACKSON



SN 016-2452 TOTAL BILL OF MATERIAL

DESCRIPTION	UNIT	QUANTITY
CONCRETE REMOVAL	CU. YD	2.9
CONCRETE STRUCTURES	CU. YD	3.0
MECHANICAL SPLICERS	EACH	12
REINFORCEMENT BARS, EPOXY COATED	POUND	1060
STRUCTURE REPAIR OF CONCRETE > 5"	SQ FT	162
STRUCTURE REPAIR OF CONCRETE ≤ 5"	SQ FT	1018
TEMPORARY SHORING AND CRIBBING	L. SUM	1
TEMPORARY SUPPORT SYSTEM	EACH	5

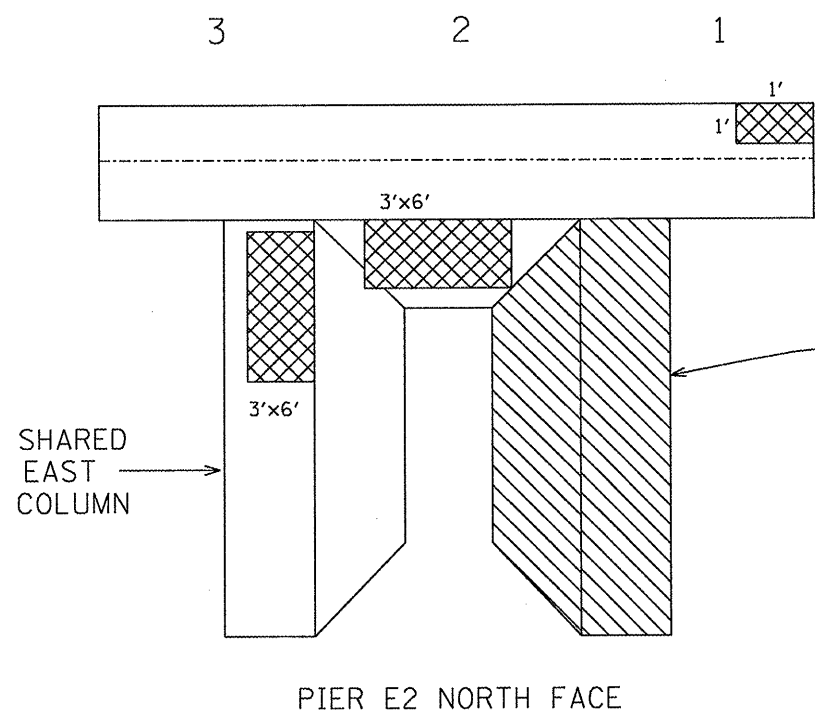
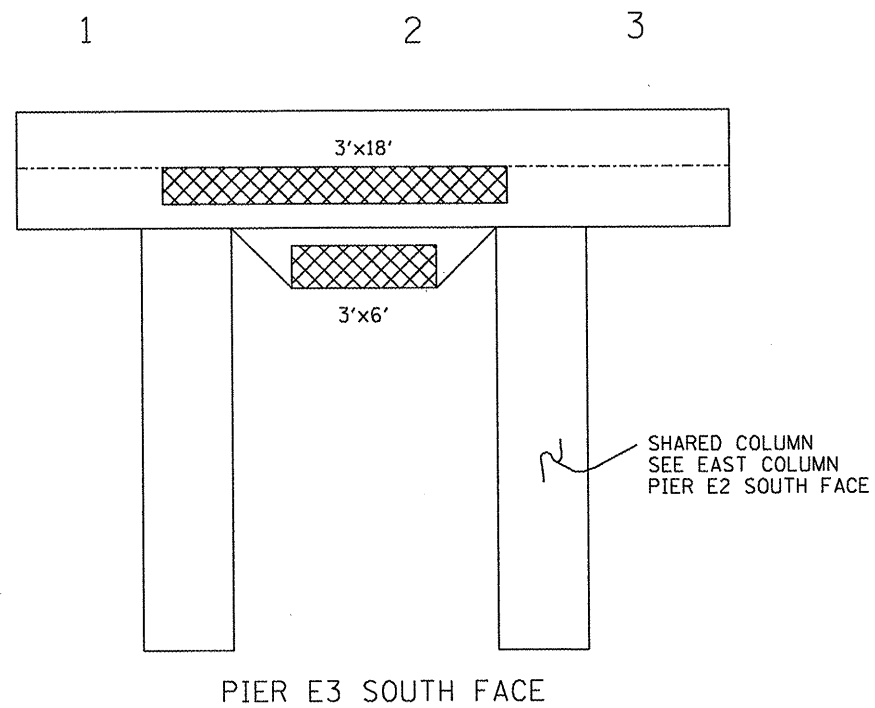
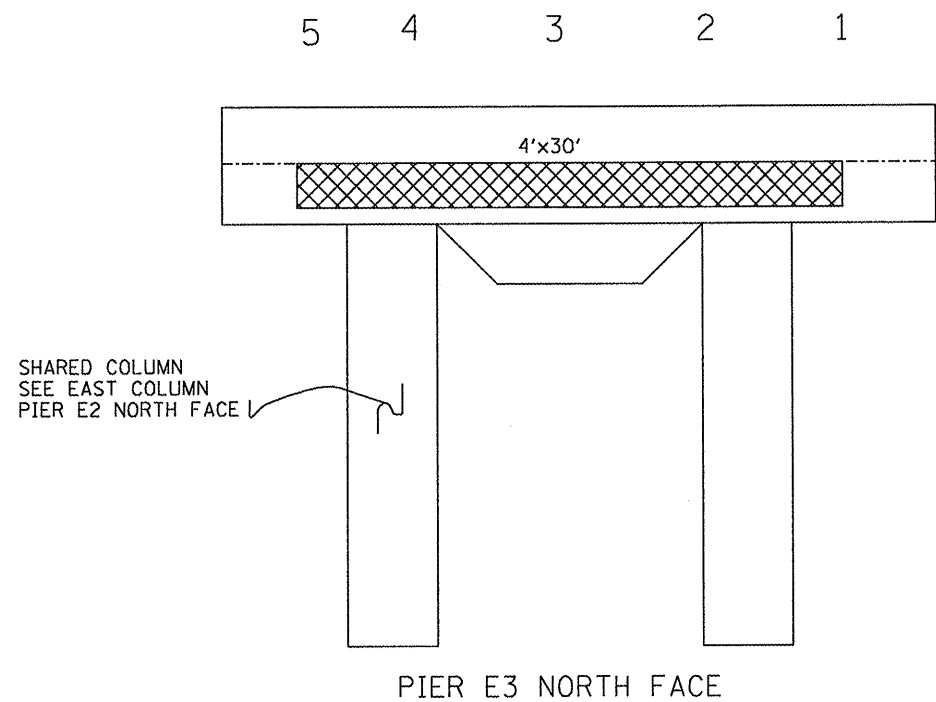
FOR GENERAL NOTES SEE SHEET 8 OF 8



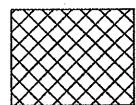
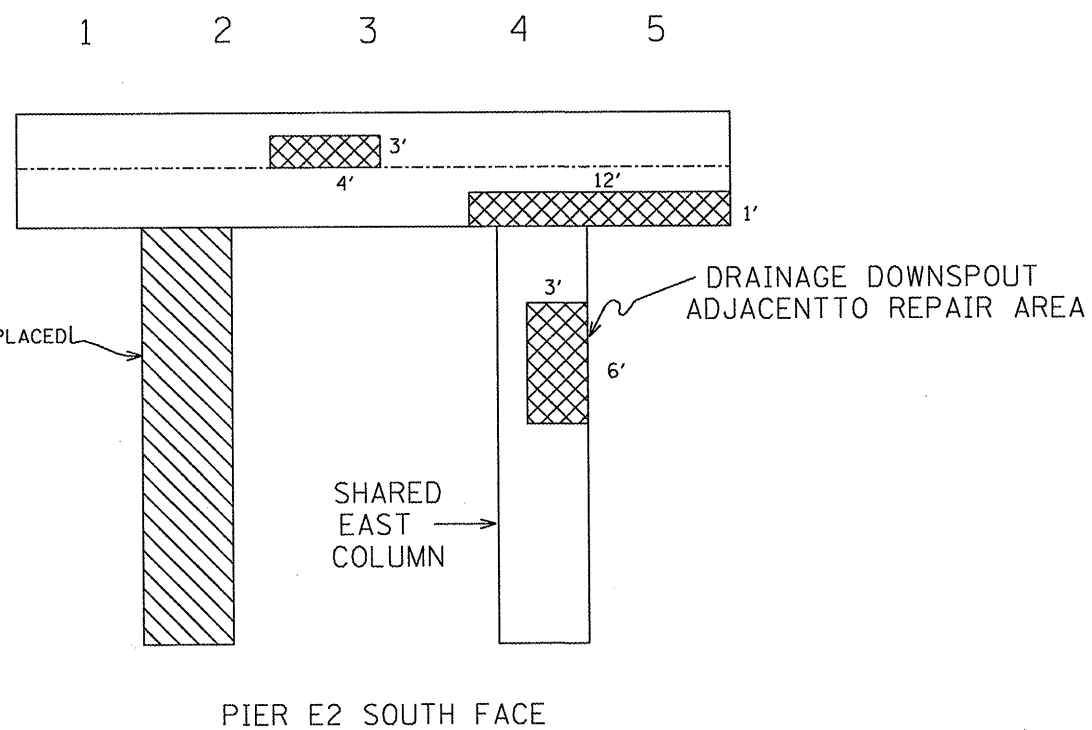
STRUCTURAL REPAIR OF CONCRETE ≤ 5"

FILE NAME =	USER NAME = estimeblek	DESIGNED -	REVISED -	STATE OF ILLINOIS DEPARTMENT OF TRANSPORTATION	LOCATION 7		F.A.P. RTE.	SECTION	COUNTY	TOTAL SHEETS	SHEET NO.
cr:\pw\work\p\dot\estimeblek\0161538\0161329-shr-plan.dgn		DRAWN -	REVISED -		SN 016-2452: I-94 SB RAMP TO I-290 EB/I-290 & I-90,94		VAR.	2009-069 BR	COOK	39	28
PLOT SCALE = 100.0000' / IN.		CHECKED -	REVISED -		SCALE:	SHEET NO. 1 OF 7 SHEETS	STA.	TO STA.	CONTRACT NO. 60H77		
PLOT DATE = 1/5/2010		DATE -	REVISED -		ILLINOIS FED. AID PROJECT						

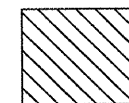
016-2452: I-94 SB RAMP TO I-290 EB/I-290 & I-90,94
 LOCATION: .1 M SOUTH JACKSON



COLUMN TO BE REMOVED & REPLACED
 SEE SHEET 8 OF 8 FOR DETAILS



STRUCTURAL REPAIR OF CONCRETE \leq 5"



CONCRETE REMOVAL &
 CONCRETE STRUCTURES

FILE NAME =	USER NAME = estimablek
est\pwork\pwork\ESTIMABLEK\d0161538\01309-shr-plan.dgn	
PLOT SCALE = 100.0000' / IN.	
PLOT DATE = 1/5/2010	

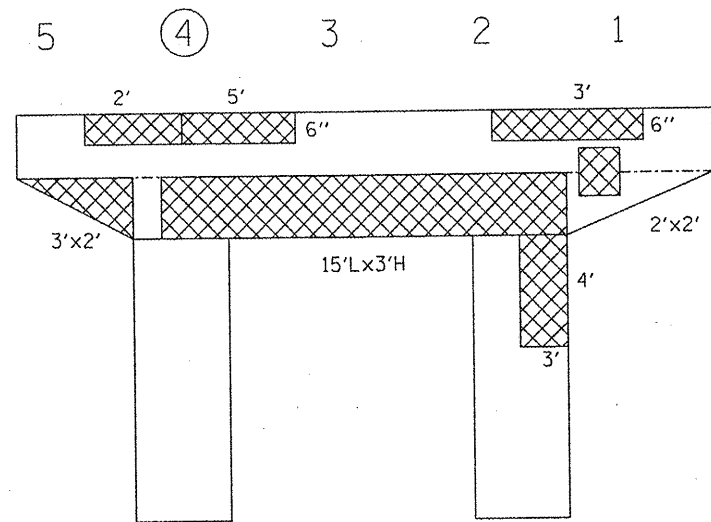
DESIGNED -	REVISED -
DRAWN -	REVISED -
CHECKED -	REVISED -
DATE -	REVISED -

STATE OF ILLINOIS
 DEPARTMENT OF TRANSPORTATION

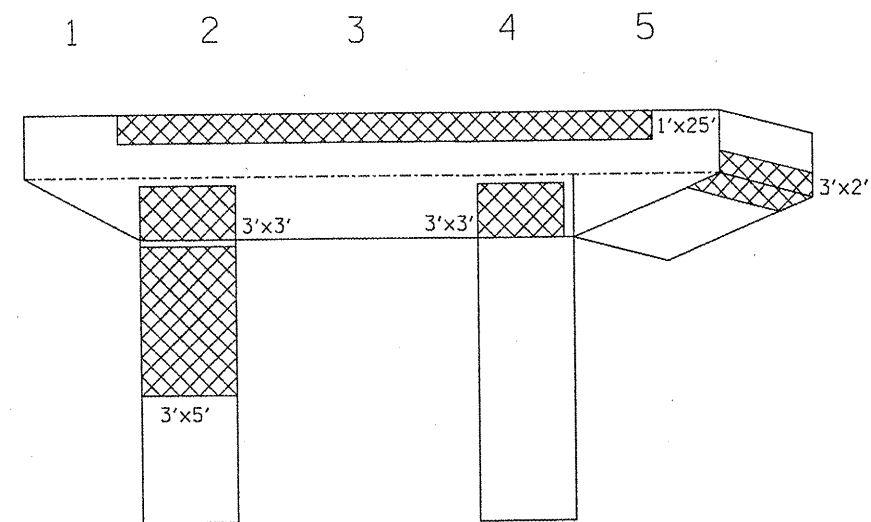
LOCATION 7	
016-2452: I-94 SB RAMP TO I-290 EB-I-290 & I-90,94	
SCALE:	SHEET NO. 2 OF 7 SHEETS
STA.	TO STA.

F.A.P. RTE.	SECTION	COUNTY	TOTAL SHEETS	SHEET NO.
VAR.	2009-069 BR	COOK	39	29
CONTRACT NO. 60H77				
ILLINOIS FED. AID PROJECT				

016-2452: I-94 SB RAMP TO I-290 EB/I-290 & I-90,94
 LOCATION: .1 M SOUTH JACKSON

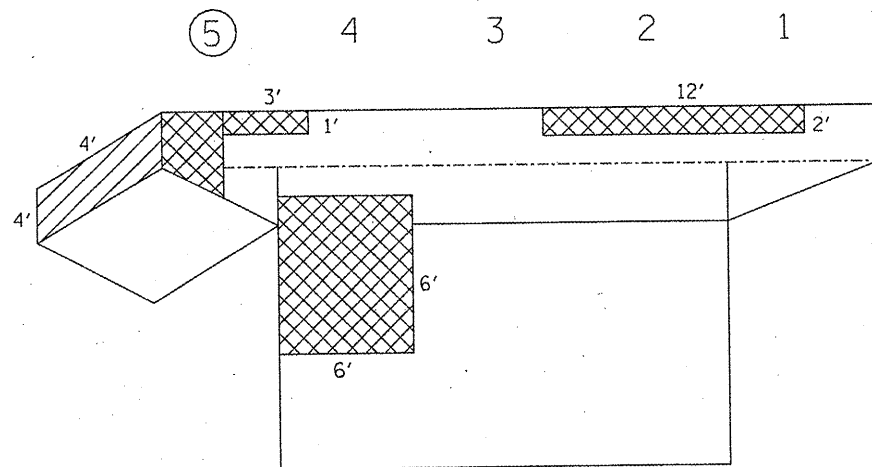


PIER 15 WEST FACE

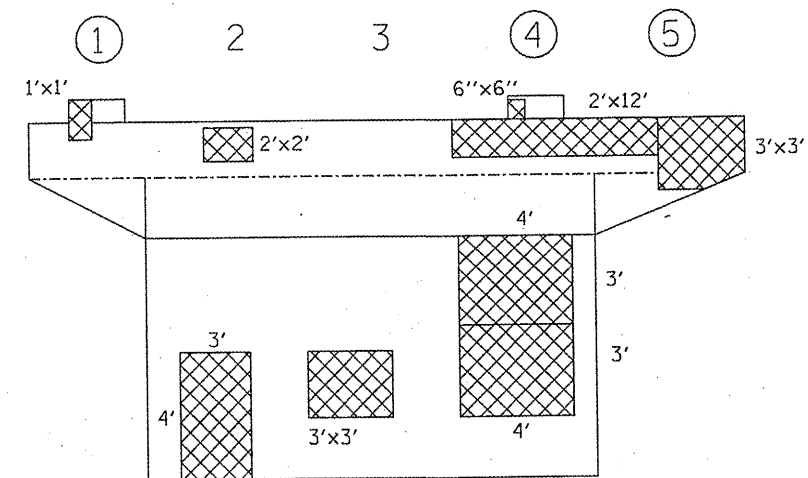


PIER 15 EAST FACE

REACTIONS		
	Pier 14	Pier 15
R DL (k)	41.6	41.6
R LL (k)	33.3	33.3
R Imp (k)	9	9
T Total (k)	83.9	83.9



PIER 14 WEST FACE

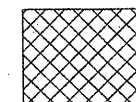


PIER 14 EAST FACE

○ BEAM NO. REQUIRING TEMPORARY SUPPORT SYSTEM



STRUCTURE REPAIR OF CONCRETE > 5"



STRUCTURE REPAIR OF CONCRETE ≤ 5"

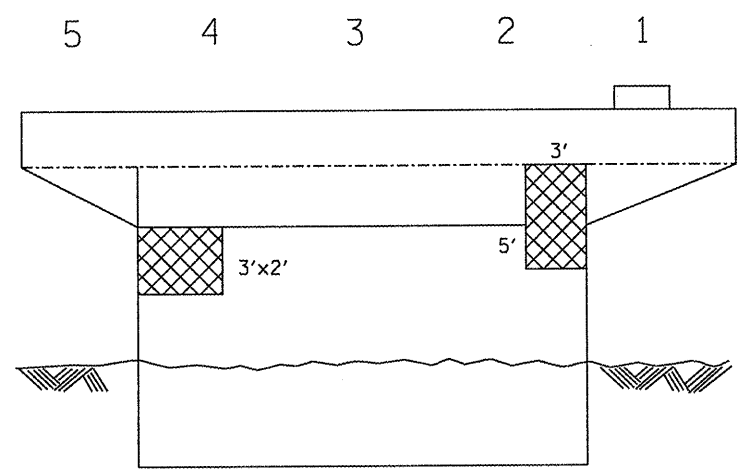
FILE NAME =	USER NAME = estimablek	DESIGNED -	REVISED -
ct\pwork\pwidot\ESTIMABLEK\0161538\0	81309-shr-plandgn	DRAWN -	REVISED -
PLOT SCALE = 100.0000' / IN.	CHECKED -	REVISED -	REVISED -
PLOT DATE = 1/5/2010	DATE -	REVISED -	REVISED -

STATE OF ILLINOIS
 DEPARTMENT OF TRANSPORTATION

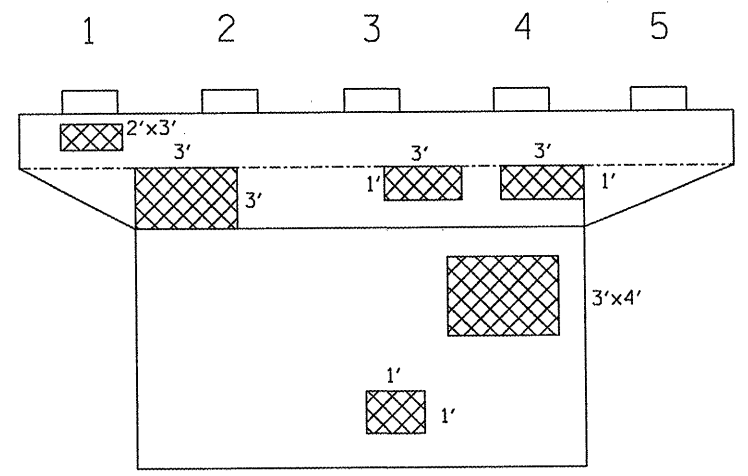
LOCATION 7
 016-2452: I-94 SB RAMP TO I-290 EB-I-290 & I-90,94
 SCALE: SHEET NO. 3 OF 7 SHEETS STA. TO STA.

F.A.P. RTE.	SECTION	COUNTY	TOTAL SHEETS	SHEET NO.
VAR.	2009-069 BR	COOK	39	30
CONTRACT NO. 60H77			ILLINOIS FED. AID PROJECT	

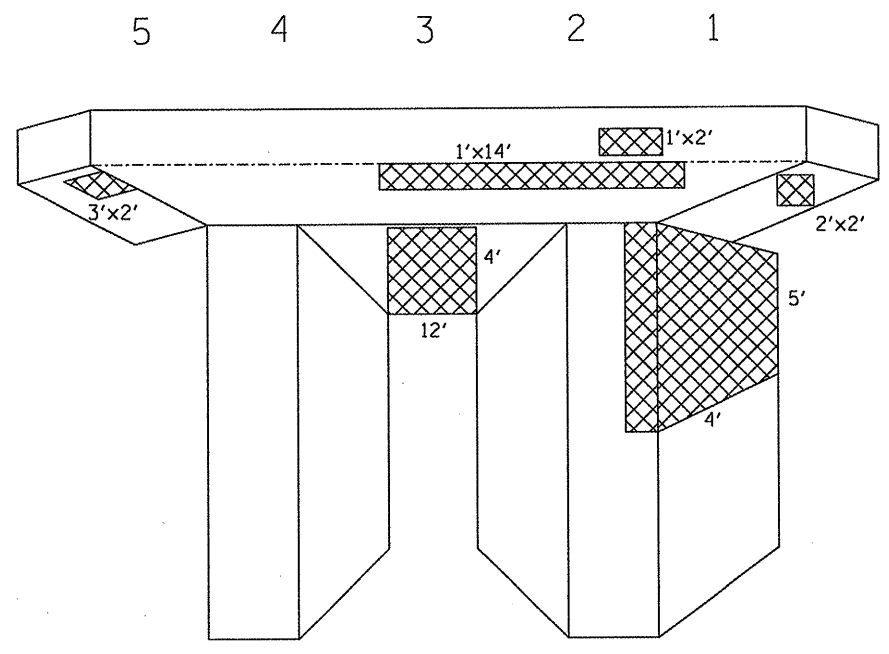
016-2452: I-94 SB RAMP TO I-290 EB/I-290 & I-90,94
 LOCATION: .1 M SOUTH JACKSON



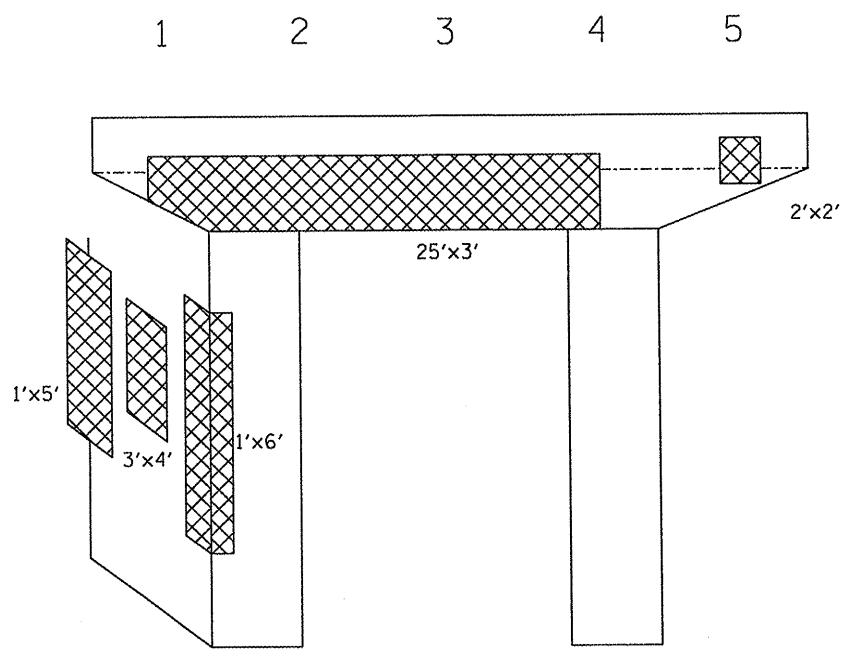
PIER 13 WEST FACE



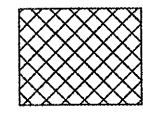
PIER 13 EAST FACE



PIER 12 WEST FACE



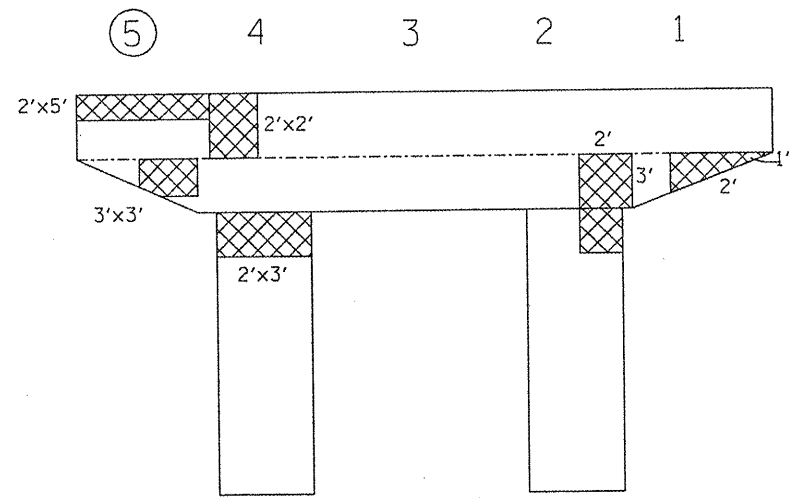
PIER 12 EAST FACE



STRUCTURE REPAIR OF CONCRETE \leq 5"

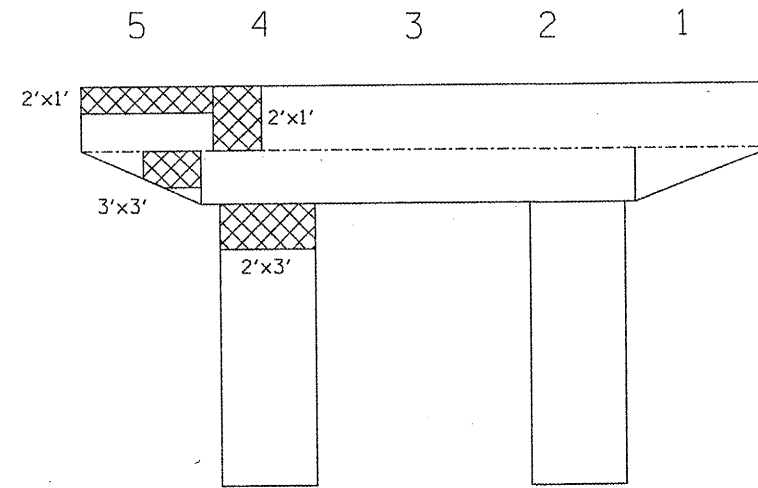
FILE NAME =	USER NAME = estmablek	DESIGNED -	REVISED -	STATE OF ILLINOIS DEPARTMENT OF TRANSPORTATION	LOCATION 7		F.A.P. RTE.	SECTION	COUNTY	TOTAL SHEETS	SHEET NO.
ct:\pw\work\VPWIDOT\ESTIMABLEK\d0161538\	81389-sht-plan.dgn	DRAWN -	REVISED -		016-2452: I-94 SB RAMP TO I-290 EB/I-290 & I-90,94		VAR.	2009-069 BR	COOK	39	31
PLOT SCALE = 100.0000' / IN.	CHECKED -	REVISD -	REVISD -		SCALE:	SHEET NO. 4 OF 7 SHEETS	STA.			CONTRACT NO. 60H77	
PLOT DATE = 1/5/2010	DATE -	REVISD -	REVISD -								ILLINOIS FED. AID PROJECT

016-2452: I-94 SB RAMP TO I-290 EB/I-290 & I-90,94
 LOCATION: .1 M SOUTH JACKSON

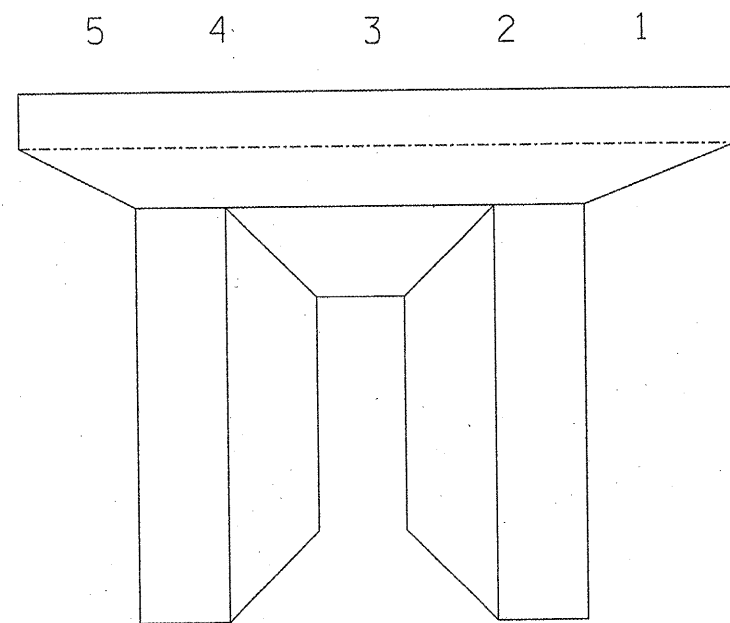


PIER 11 WEST FACE

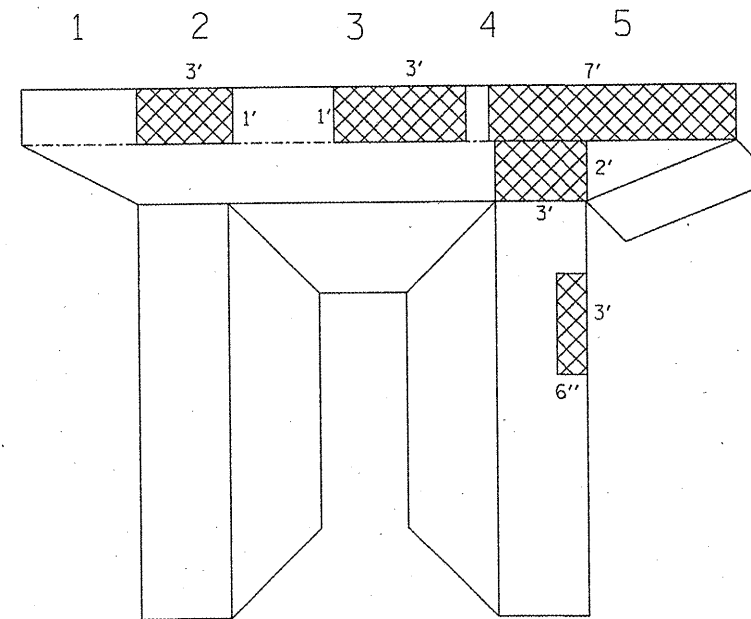
REACTIONS	
PIER 11	
West	
R DL (k)	32.8
R LL (k)	33.7
R Imp (k)	9.8
T Total (k)	76.3



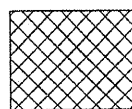
PIER 11 EAST FACE



PIER 10 WEST FACE



PIER 10 EAST FACE



STRUCTURE REPAIR OF CONCRETE \leq 5"



BEAM NO. REQUIRING TEMPORARY SUPPORT SYSTEM

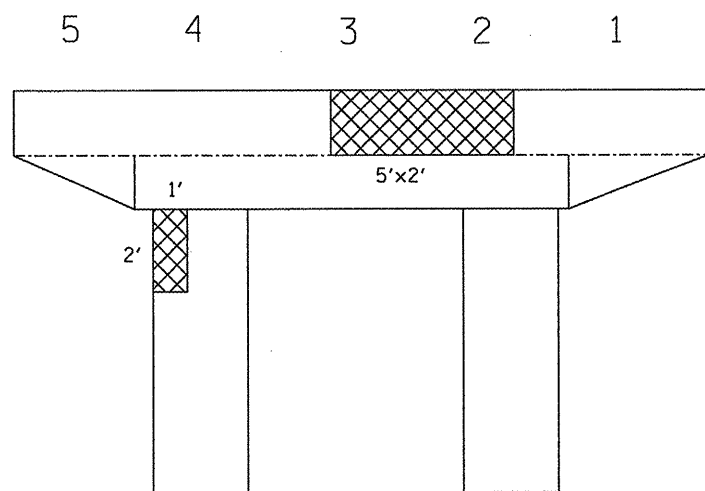
FILE NAME =	USER NAME = estumablek	DESIGNED -	REVISED -
c:\pwwork\FWID001\ESTIMABLEK\d0161538\0	B1309-sht-plan.dgn	DRAWN -	REVISED -
	PLOT SCALE = 100.0000 ' / IN.	CHECKED -	REVISED -
	PLOT DATE = 1/5/2010	DATE -	REVISED -

STATE OF ILLINOIS
 DEPARTMENT OF TRANSPORTATION

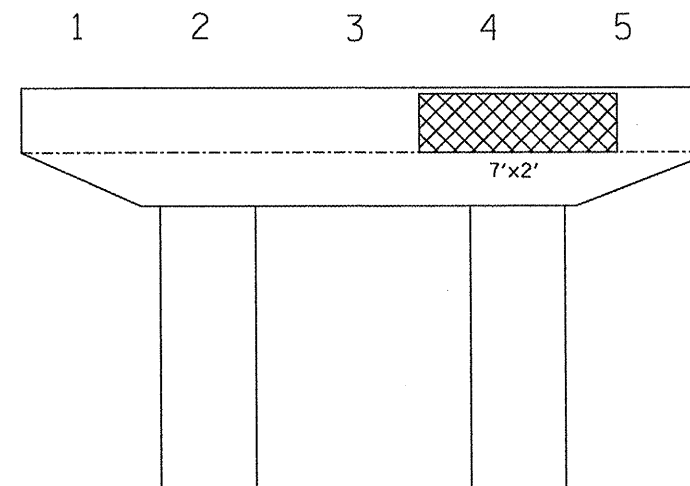
LOCATION 7	
016-2452: I-94 SB RAMP TO I-290 EB/I-290 & I-90,94	
SCALE:	TO STA.
SHEET NO. 5 OF 7 SHEETS	

F.A.P. RTE.	SECTION	COUNTY	TOTAL SHEETS	SHEET NO.
VAR.	2009-069 BR	COOK	39	32
CONTRACT NO. 60H77				
ILLINOIS FED. AID PROJECT				

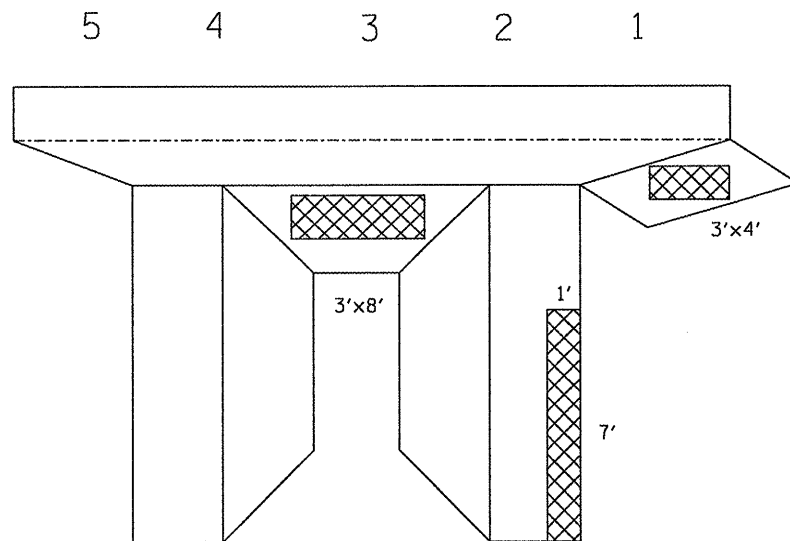
016-2452: I-94 SB RAMP TO I-290 EB/I-290 & I-90,94
 LOCATION: .1 M SOUTH JACKSON



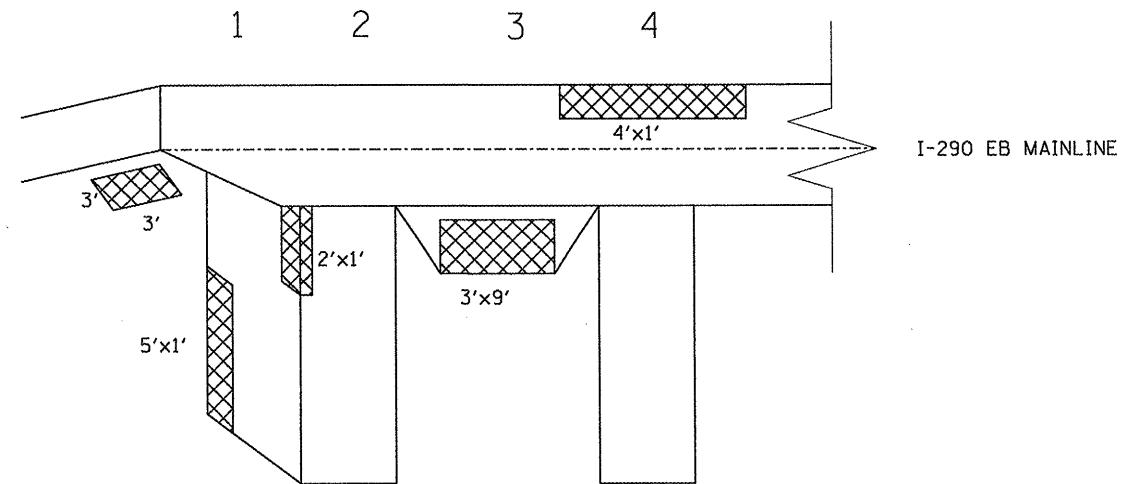
PIER 9 WEST FACE



PIER 9 EAST FACE



PIER E1 WEST FACE



PIER E1 EAST FACE

 STRUCTURAL REPAIR OF CONCRETE ≤ 5"

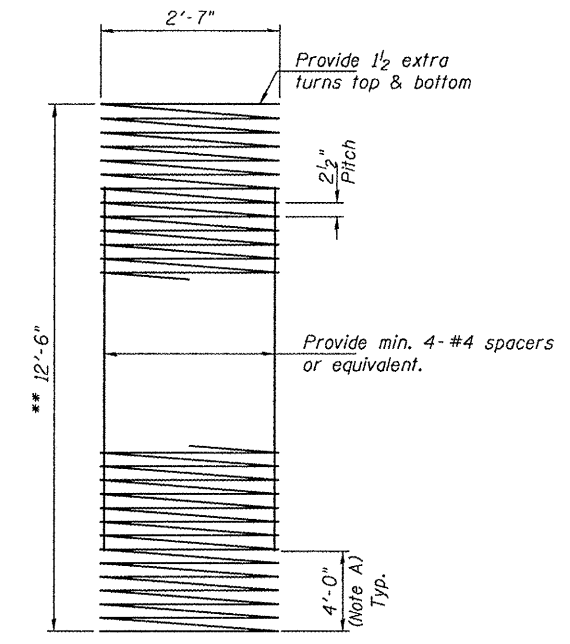
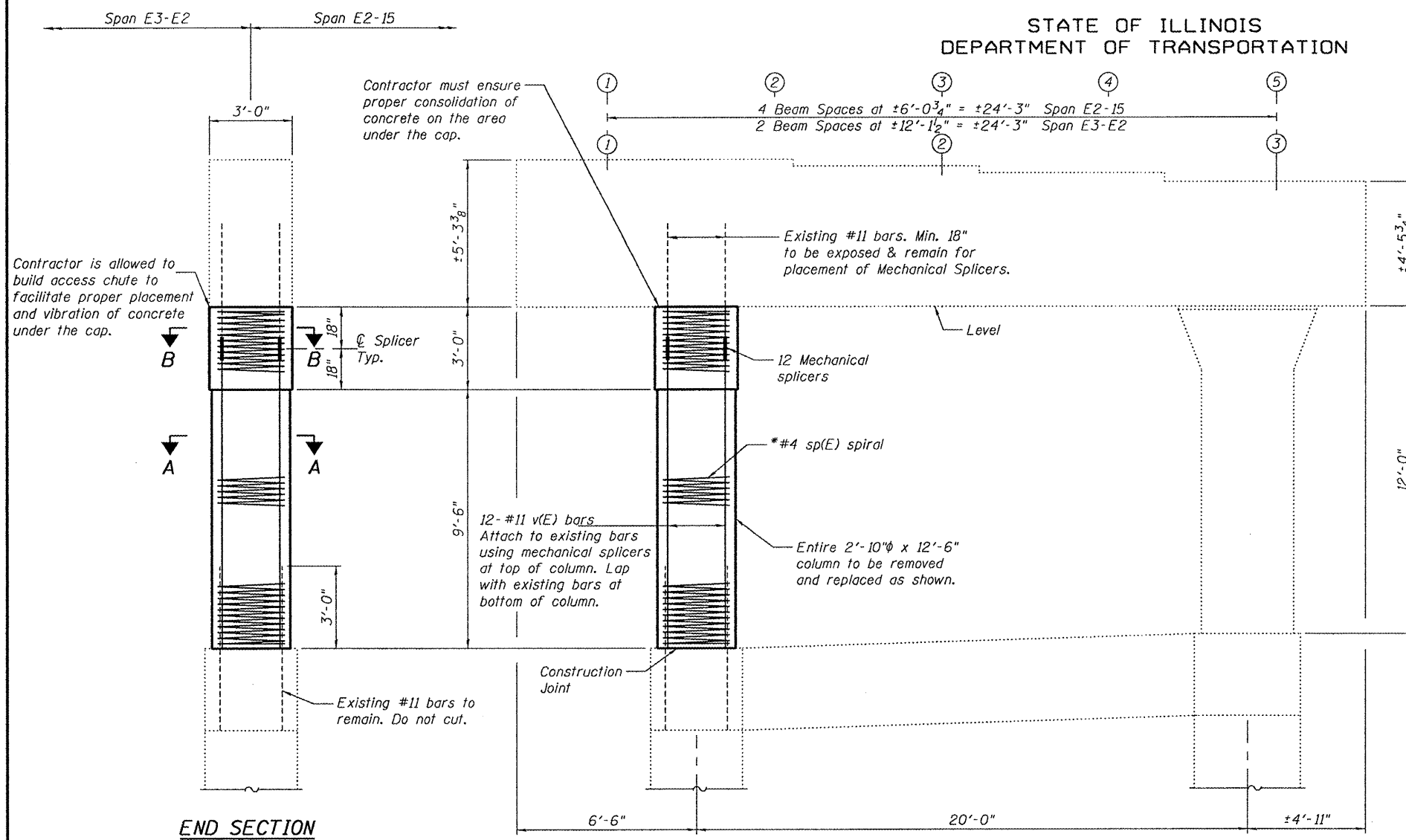
FILE NAME =	USER NAME = eastimablek	DESIGNED -	REVISED -
ct\pwork\pwidot\ESTIMABLEK\0161538\0161309-sht-plan.dgn		DRAWN -	REVISED -
PLOT SCALE = 100.0000' / IN.		CHECKED -	REVISED -
PLOT DATE = 1/5/2010		DATE -	REVISED -

STATE OF ILLINOIS
 DEPARTMENT OF TRANSPORTATION

LOCATION 7	
016-2452: I-94 SB RAMP TO I-290 EB/I-290 & I-90,94	
SCALE:	SHEET NO. 6 OF 7 SHEETS
STA.	TO STA.

F.A.P. RTE.	SECTION	COUNTY	TOTAL SHEETS	SHEET NO.
VAR.	2009-069 BR	COOK	39	33
CONTRACT NO. 60H77			ILLINOIS FED. AID PROJECT	

STATE OF ILLINOIS
DEPARTMENT OF TRANSPORTATION



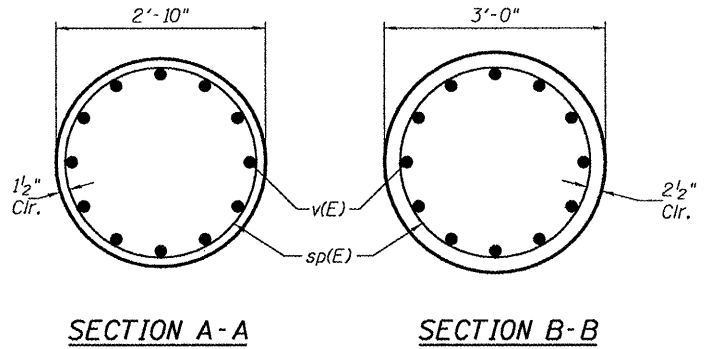
SPIRAL DETAIL

Note A:
No spacers in this area (top & bottom), to allow for compression of spiral for placement, lapping and mechanically splicing existing vertical bars as shown. After installation of vertical bars, spiral is to be expanded and lapped with the existing spiral maintaining the proper pitch.

REACTIONS (Girder loads only)			
		Span E2-15 Bm 2	Span E3-E2 Bm 1
R _φ	(k)	23.9	18.6
R _s	(k)	10.8	9.9
R _t	(k)	33.8	24.8
R _i	(k)	8.8	7.4
R _{Total}	(k)	77.3	60.7

****Girder reactions provided are for the heaviest expected loads on each span. Temporary shoring and cribbing must include load from all contributing girders.

ELEVATION BENT E2
(Looking Northwest)



*#4 sp(E) spiral. Provide 1/2 extra turns top and bottom. Provide min. 4-#4 spacers or equivalent. Lap spiral top and bottom with existing spiral. Minimum lap = 1 1/2 turns.

NOTES

Reinforcement bars shall conform to the requirements of ASTM A 706 Gr 60. See Special Provisions.
Reinforcement bars designated (E) shall be epoxy coated.
Plan dimensions and details relative to existing plans are subject to nominal construction variations. The Contractor shall field verify existing dimensions and details affecting new construction and make necessary approved adjustments prior to construction or ordering of materials. Such variations shall not be cause for additional compensation for a change in scope of the work, however, the Contractor will be paid for the quantity actually furnished at the unit price bid for the work.
Existing reinforcement bars extending into the removal area shall be cleaned, straightened and incorporated into the new construction. Any reinforcement bars that are damaged during concrete removal shall be replaced with an approved bar splicer or anchorage system. Cost included with Concrete Removal.

The Contractor must submit a procedure for installation of the spiral and vertical bars for approval prior to any installation of the reinforcement. Temporary shoring and cribbing, as described in the Special Provisions, is to be installed prior to any concrete removal.
If existing #11 vertical bars or spiral extending into removal area to be reused are found to have a cross sectional area loss greater than 10%, the Contractor shall notify the Bureau of Bridges and structures for further disposition before installation of the new reinforcement.

TOTAL BILL OF MATERIAL

Bar	No.	Size	Length	Shape
** sp(E)	1	#4	12'-6"	
v(E)	12	#11	10'-10"	—
Concrete Removal		Cu. Yd.	2.9	
Concrete Structures		Cu. Yd.	3.0	
Mechanical Splicers		Each	12	
*** Reinforcement Bars, Epoxy Coated		Pound	1,060	
Temporary Shoring and Cribbing		L. Sum	1	

** Length is height of spiral
*** Includes weight of spiral & spacers

PIER REPAIR DETAILS
SOUTHEAST RAMP
SN 016-2452

SHEET NO. 7 7 SHEETS	F.A.I. RTE.	SECTION	COUNTY	TOTAL SHEETS	SHEET NO.
	VAR	2009-069BR	Cook	39	34
		CONTRACT NO. 60H77			
FED. ROAD DIST. NO.		ILLINOIS		FED. AID PROJECT	



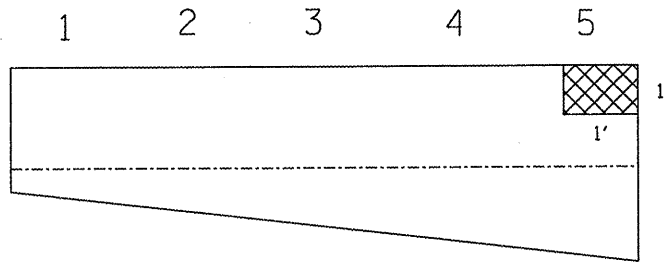
DESIGNED: [Signature]
CHECKED: [Signature]
DRAWN: [Signature]
CHECKED: [Signature]

EXAMINED: [Signature]
PASSED: [Signature]

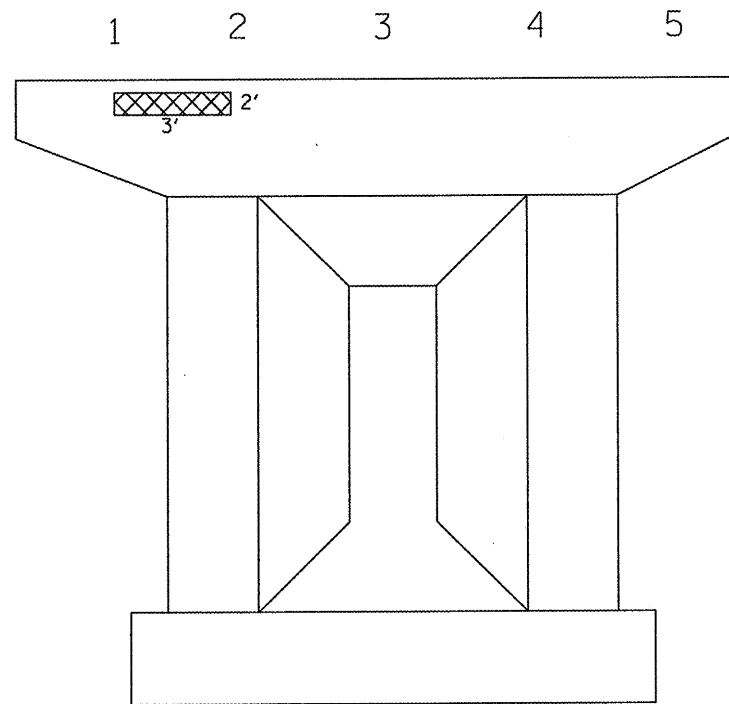
January 25, 2010

Expires: November 30, 2010

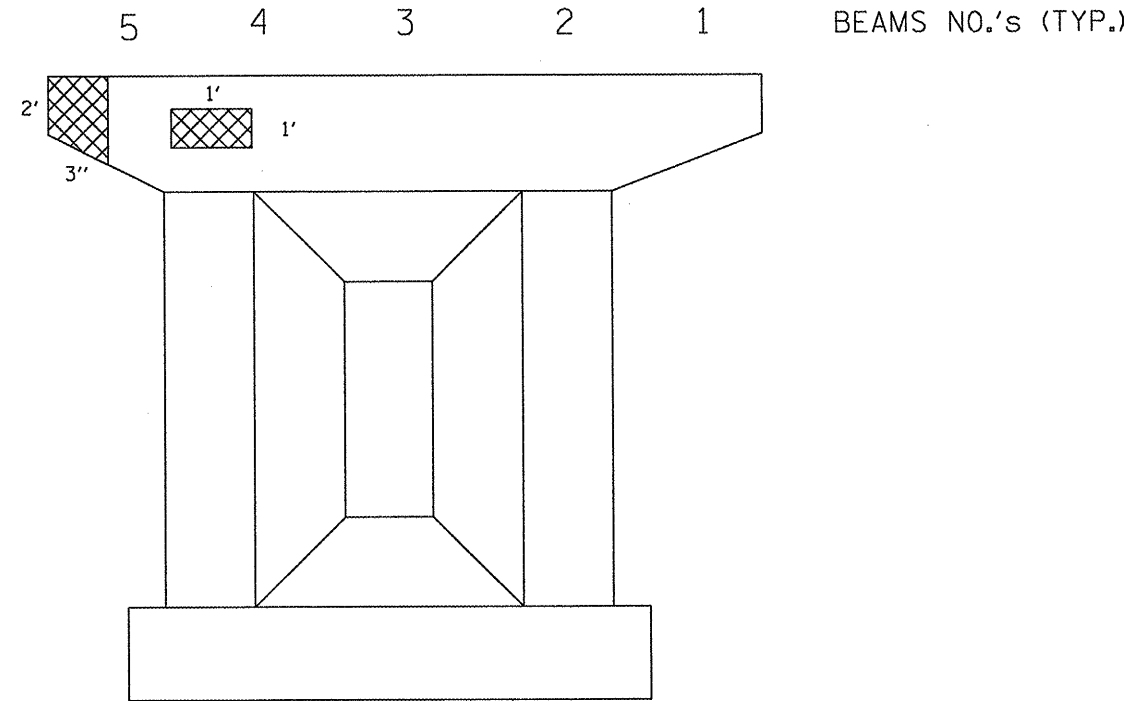
016-2453: I-290 EB RAMP TO I-90, 94 NB/I-90, 94
 LOCATION: .5 M E. RACINE AVE



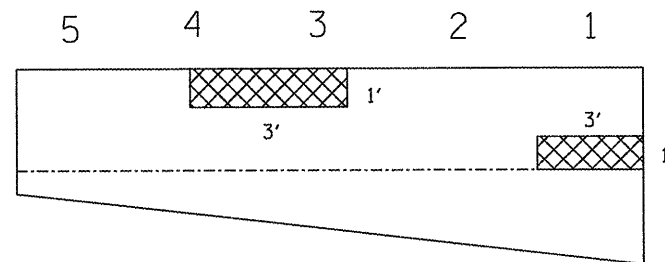
WEST ABUTMENT #20



PIER 21 EAST FACE



PIER 21 WEST FACE

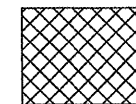


NORTH ABUTMENT #29

BEAMS NO.'s (TYP.)

SN 016-2453 TOTAL BILL OF MATERIAL

DESCRIPTION	UNIT	QUANTITY
STRUCTURAL REPAIR OF CONCRETE \leq 5"	SQ FT	196



STRUCTURAL REPAIR OF CONCRETE \leq 5"

FILE NAME =
 c:\pwwork\pwwid\ESTIMABLEK\d0161538\0

USER NAME = estimablek
 81309-sht-plan.dgn
 PLOT SCALE = 100.0000' / IN.
 PLOT DATE = 1/5/2010

DESIGNED -
 DRAWN -
 CHECKED -
 DATE -

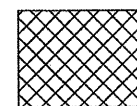
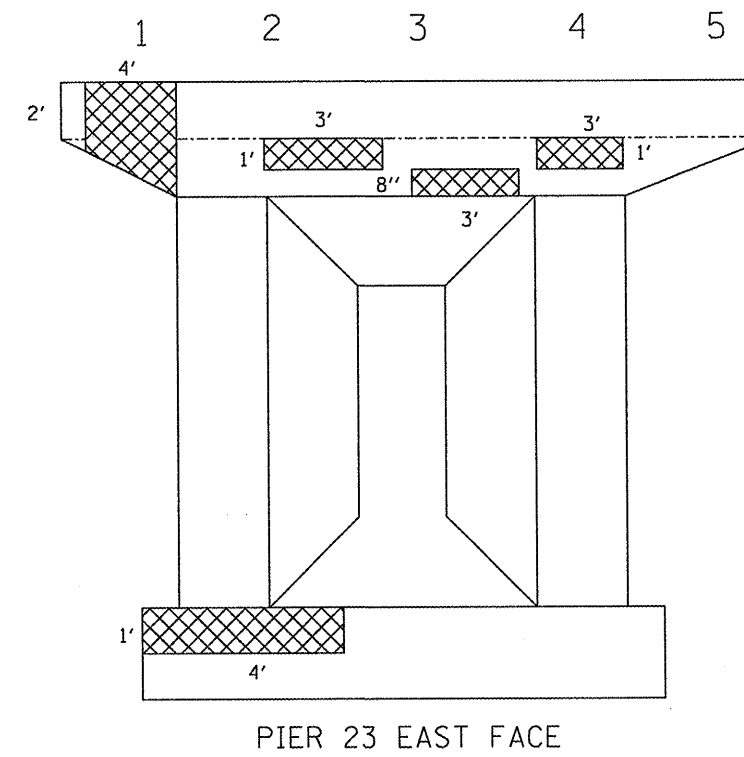
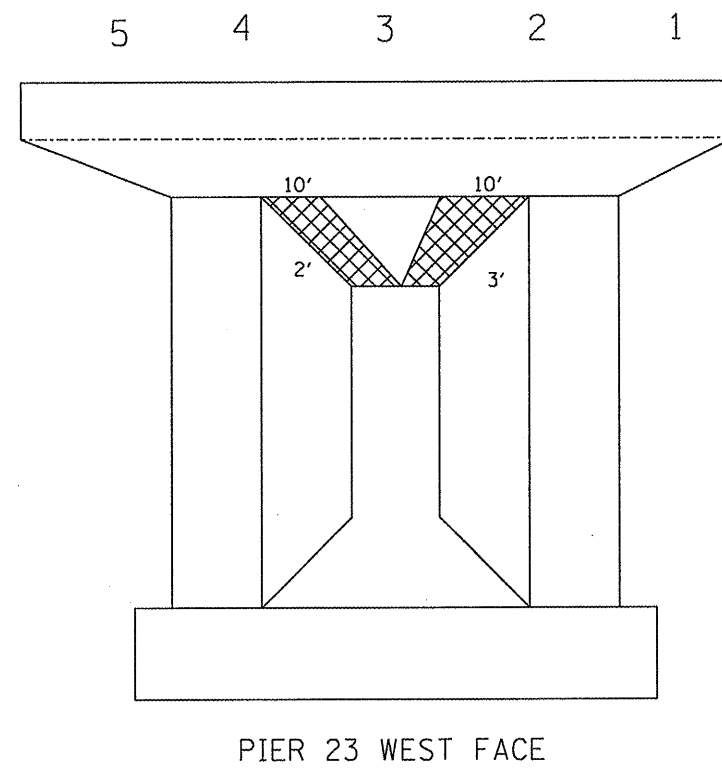
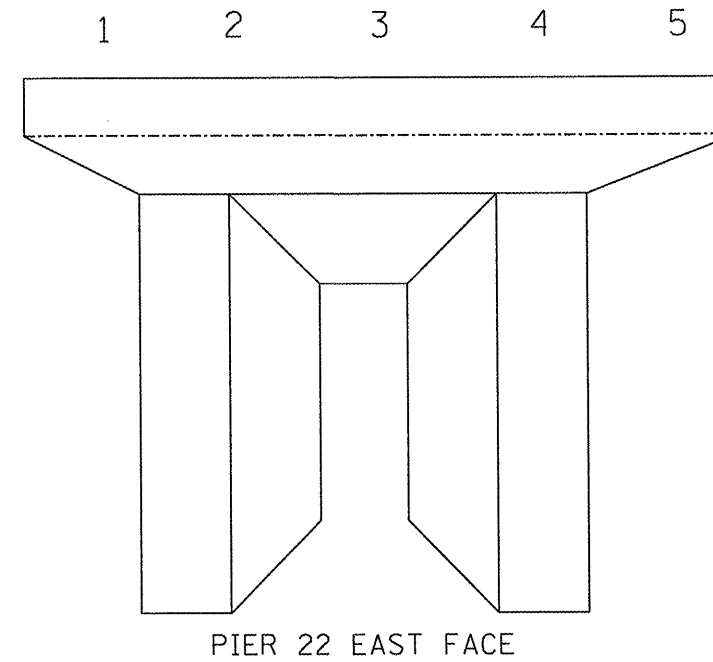
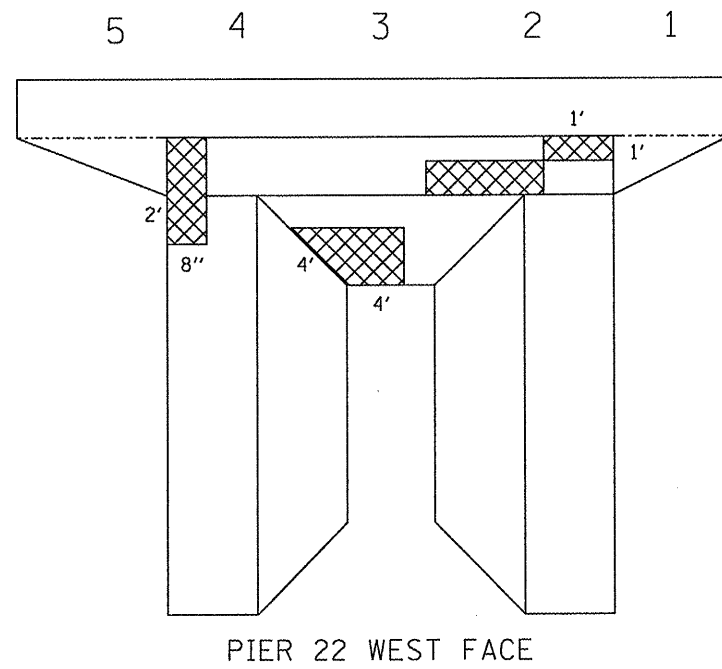
REVISED -
 REVISED -
 REVISED -
 REVISED -

STATE OF ILLINOIS
 DEPARTMENT OF TRANSPORTATION

LOCATION 8
 SN 016-2453: I-290 EB RAMP TO I-90, 94 NB/I-90, 94
 SCALE: SHEET NO. 1 OF 3 SHEETS STA. TO STA.

F.A.P. RTE.	SECTION	COUNTY	TOTAL SHEETS	SHEET NO.
VAR.	2009-069 BR	COOK	39	35
CONTRACT NO. 60H77				
ILLINOIS FED. AID PROJECT				

016-2453: I-290 EB RAMP TO I-90, 94 NB/I-90, 94
 LOCATION: .5 M E. RACINE AVE



STRUCTURAL REPAIR OF CONCRETE \leq 5"

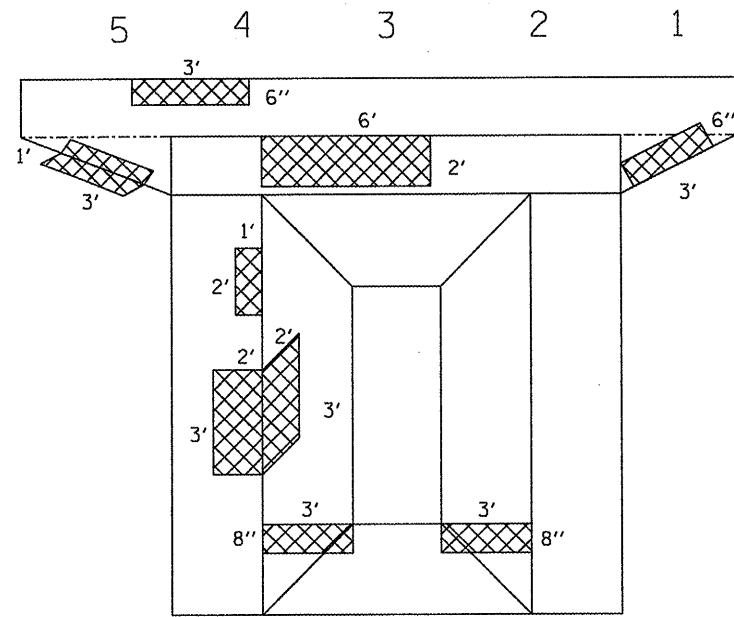
FILE NAME =	USER NAME = estmablek	DESIGNED -	REVISED -
est\pwwork\VPWIDOT\ESTIMABLEK\d0161538\d	81389-sht-plan.dgn	DRAWN -	REVISED -
	PLOT SCALE = 100.0000 ' / IN.	CHECKED -	REVISED -
	PLOT DATE = 1/5/2010	DATE -	REVISED -

STATE OF ILLINOIS
 DEPARTMENT OF TRANSPORTATION

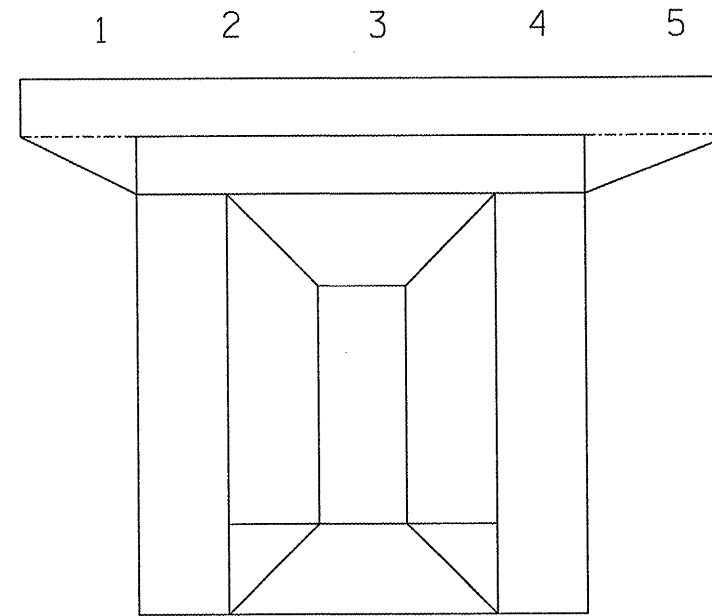
LOCATION 8	
SN 016-2453: I-290 EB RAMP TO I-90, 94 NB/I-90, 94	
SCALE:	TO STA.
SHEET NO. 2 OF 3 SHEETS	

F.A.P. RTE.	SECTION	COUNTY	TOTAL SHEETS	SHEET NO.
VAR.	2009-069 BR	COOK	39	36
CONTRACT NO. 60H77				
ILLINOIS FED. AID PROJECT				

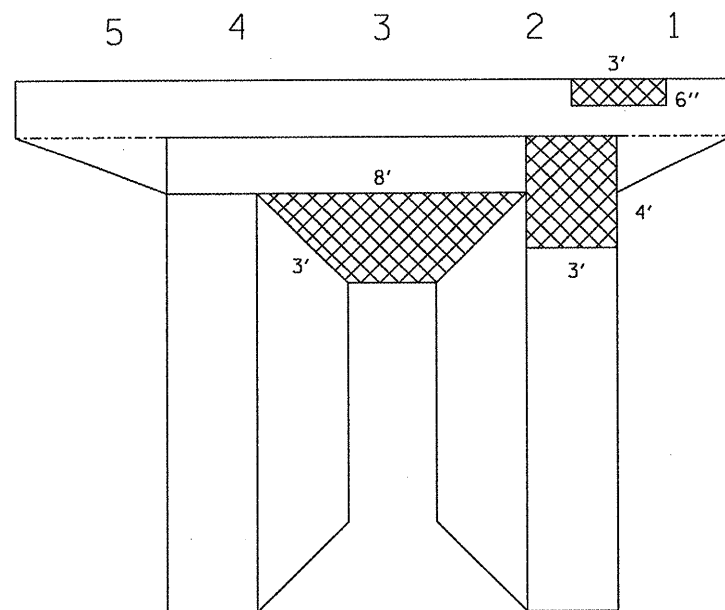
016-2453: I-290 EB RAMP TO I-90, 94 NB/I-90, 94
 LOCATION: .5 M E. RACINE AVE



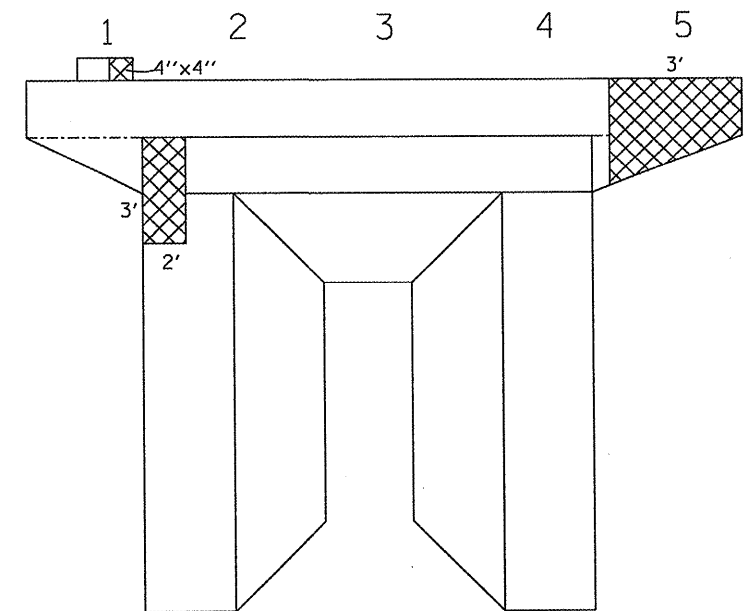
PIER 24 WEST FACE



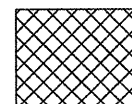
PIER 24 EAST FACE



PIER 25 WEST FACE



PIER 25 EAST FACE



STRUCTURAL REPAIR OF CONCRETE \leq 5"

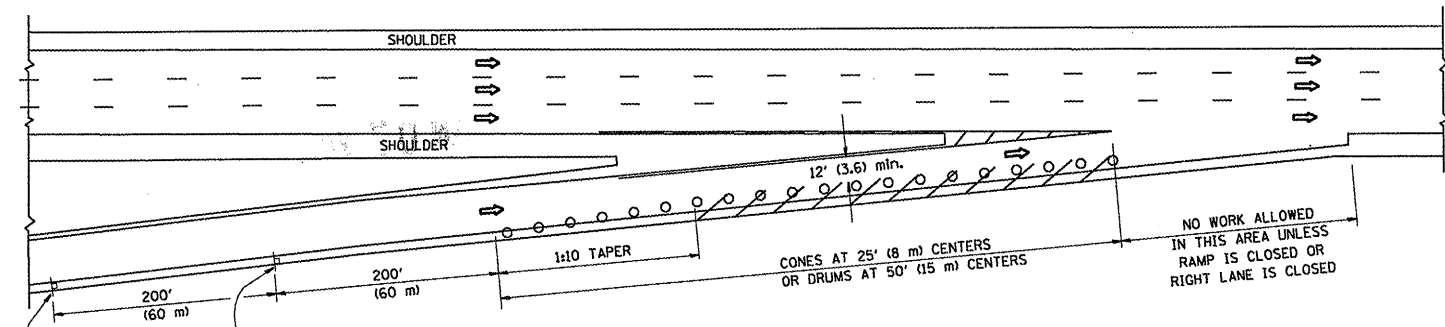
FILE NAME =	USER NAME = estimeblek	DESIGNED -	REVISED -
est\p\work\PHWIDOT\ESTIMABLE\0161538\0	01329-shr-plan.dgn	DRAWN -	REVISED -
	PLOT SCALE = 100.0000 ' / IN.	CHECKED -	REVISED -
	PLOT DATE = 1/5/2010	DATE -	REVISED -

STATE OF ILLINOIS
 DEPARTMENT OF TRANSPORTATION

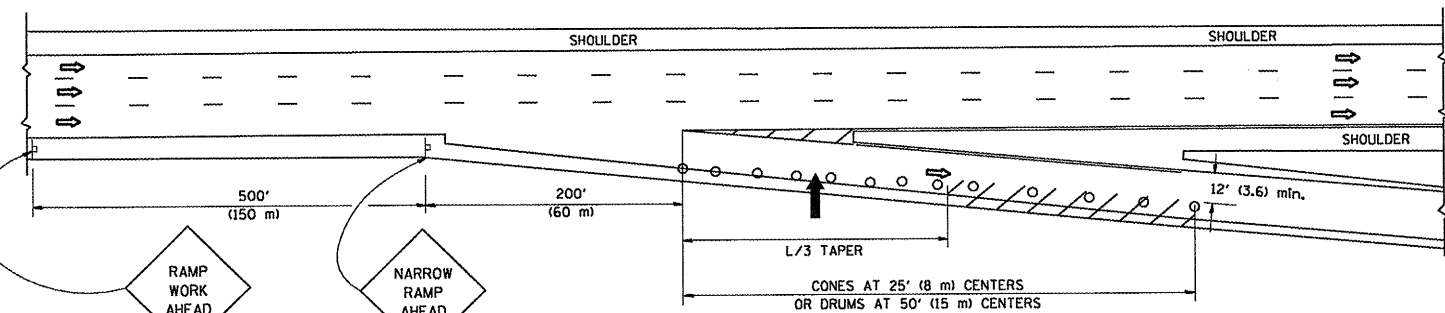
LOCATION 8	
SN 016-2453: I-290 EB RAMP TO I-90, 94 NB/I-90, 94	
SCALE:	TO STA.
SHEET NO. 3 OF 3 SHEETS	

F.A.P. RTE.	SECTION	COUNTY	TOTAL SHEETS	SHEET NO.
VAR.	2009-069 BR	COOK	39	37
CONTRACT NO. 60H77			ILLINOIS FED. AID PROJECT	

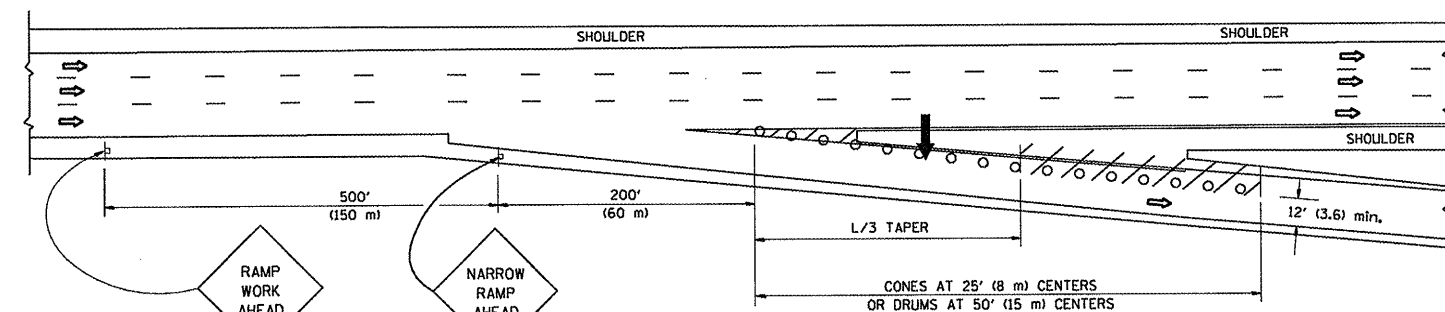
PARTIAL RAMP CLOSURE DETAILS



TYPICAL ENTRANCE RAMP



TYPICAL EXIT RAMP



TYPICAL EXIT RAMP

SYMBOLS

- ➔ ARROWBOARD
- ▨ WORK AREA
- ┆ SIGN ON PORTABLE OR PERMANENT SUPPORT
- FLAGGER WITH CONTROL SIGN
- ⊥ TYPE II BARRICADE, DRUM OR VERTICAL BARRICADE WITH STEADY BURN MONO-DIRECTIONAL LIGHT
- CONE, DRUM OR BARRICADE

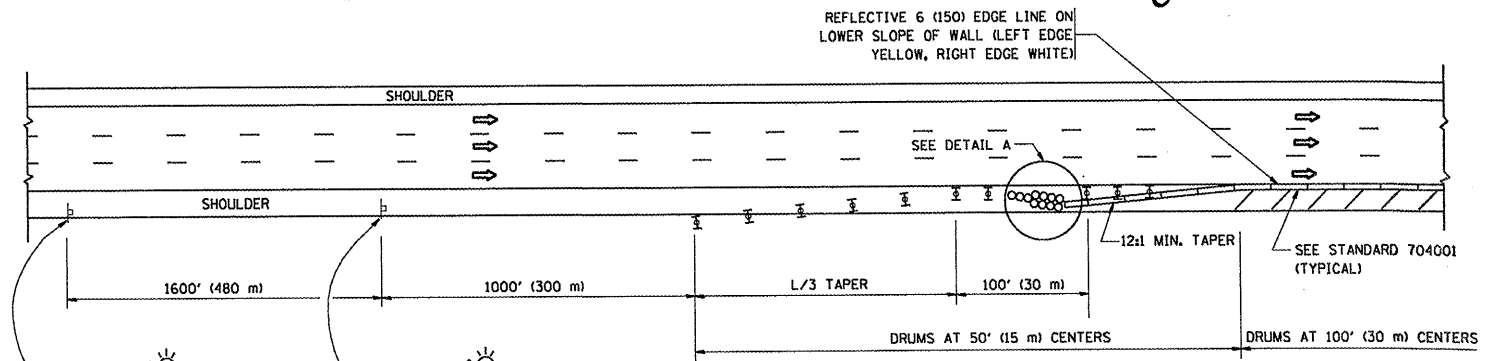
GENERAL NOTES

1. THE "L" DISTANCE EQUALS:

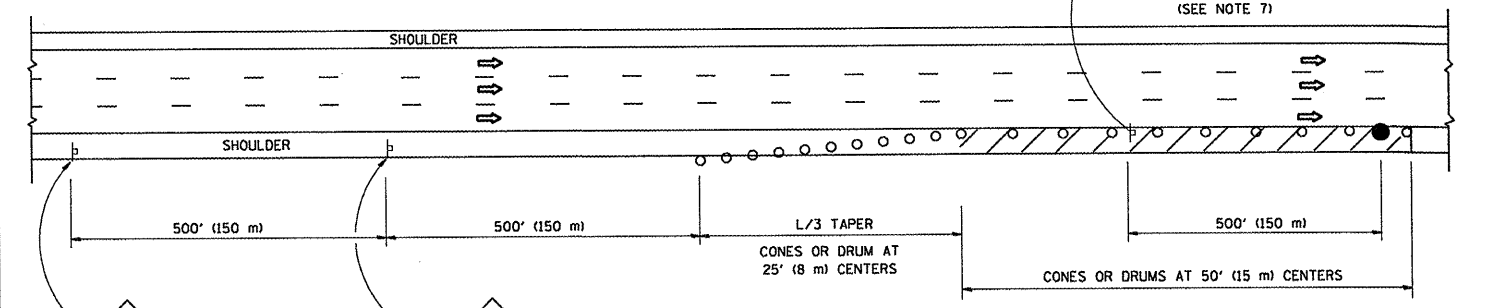
SPEED LIMIT	FORMULAS
45 mph (80 km/h) OR GREATER:	METRIC ENGLISH L=0.65(W/S) L=(W)(S)
W = WIDTH OF OFFSET IN FEET (METERS)	
S = NORMAL POSTED SPEED MPH (KM/H)	
2. PLASTIC DRUMS WITH HIGH PERFORMANCE REFLECTIVE SHEETING AND STEADY BURNING LIGHTS ARE REQUIRED FOR ALL NIGHTTIME CLOSURES.
3. ALL SIGNS SHALL BE POST MOUNTED IF THE CLOSURE TIME EXCEEDS FOUR DAYS.
4. FLASHING LIGHTS SHALL BE USED DURING THE HOURS OF DARKNESS AND SHALL BE INSTALLED ABOVE THE FIRST TWO SETS OF SIGNS.

SHOULDER CLOSURE DETAILS

* Page 38 Deleted

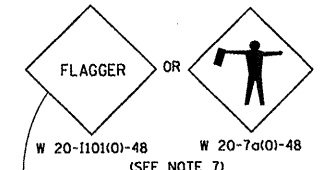


PERMANENT SHOULDER CLOSURE



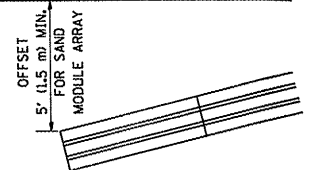
DAYTIME SHOULDER CLOSURE

OR WHEN SPECIFIED INSTALL TEMPORARY CONCRETE BARRIER WALL WITH BARRIER WALL REFLECTORS PER TRAFFIC CONTROL AND PROTECTION (EXPRESSWAYS)



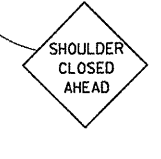
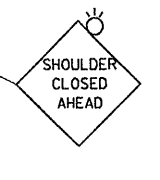
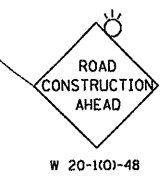
THIS DETAIL IS USED WHERE:
 1. VEHICLES, EQUIPMENT, WORKERS OR THEIR ACTIVITIES ENCR OACH IN AN AREA CLOSER THAN 15' (4.5 m) TO THE EDGE OF PAVEMENT FOR A PERIOD IN EXCESS OF 15 MINUTES.

ARRAY DESIGN PER MANUFACTURER TO BE NCHRP 350 COMPLIANT FOR POSTED SPEED.



DETAIL "A" IMPACT ATTENUATOR, TEMPORARY (SEE NOTE 5)

ALL DIMENSIONS ARE IN INCHES (MILLIMETERS) UNLESS OTHERWISE SHOWN.



FILE NAME =	USER NAME = estmablek	DESIGNED -	REVISED - J.A.F. 12-02
es:\pwwork\PIWIDOT\ESTIMABLEK\d0161538.D	stStd.dgn	DRAWN - D.W.S.	REVISED - 04-03
PLOT SCALE = 1/8" = 1' IN.	CHECKED -	CHECKED - J.A.F. 12-06	REVISED - J.A.F. 12-06
PLOT DATE = 1/5/2018	DATE - 11-96	DATE - 11-96	REVISED - S.P.B. 01-07

STATE OF ILLINOIS
DEPARTMENT OF TRANSPORTATION

TRAFFIC CONTROL DETAILS FOR FREEWAY	
SHOULDER CLOSURES AND PARTIAL RAMP CLOSURES	
SCALE: NONE	SHEET NO. 1 OF 1 SHEETS
STA. TO STA.	

F.A. RTE. VAR.	SECTION	COUNTY	TOTAL SHEETS	SHEET NO.
	2009-069 RB	COOK	39	39
TC-17			CONTRACT NO. 60H77	
FED. ROAD DIST. NO. 1 ILLINOIS FED. AID PROJECT				