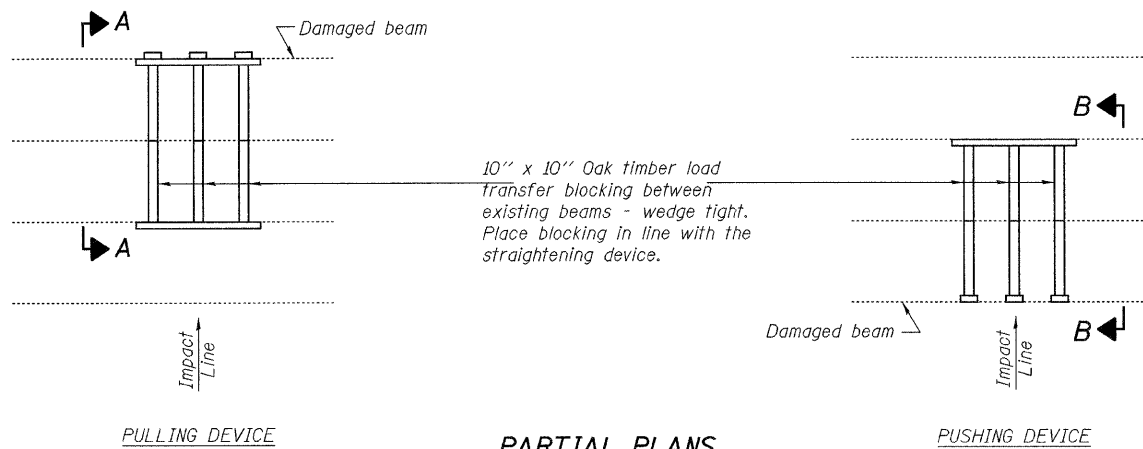
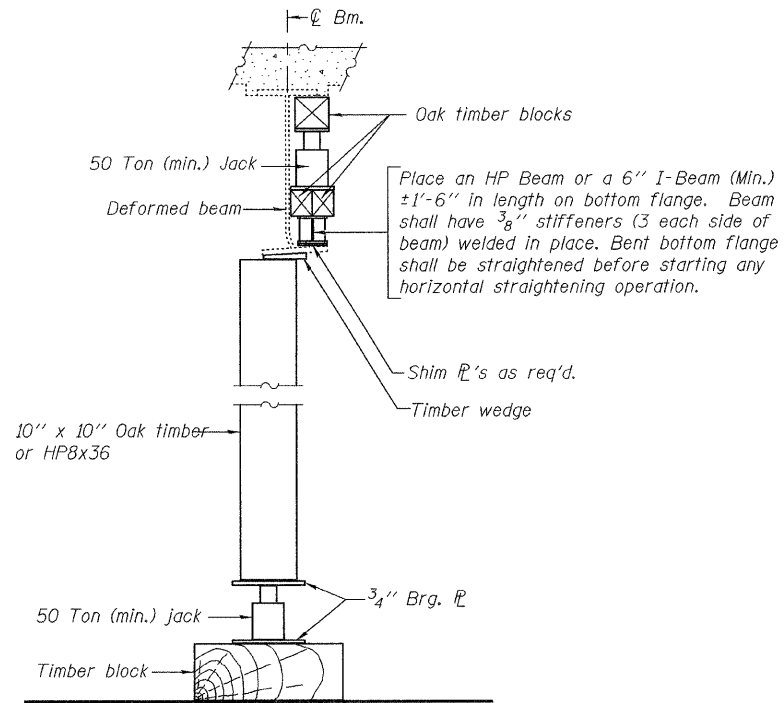


STATE OF ILLINOIS
DEPARTMENT OF TRANSPORTATION

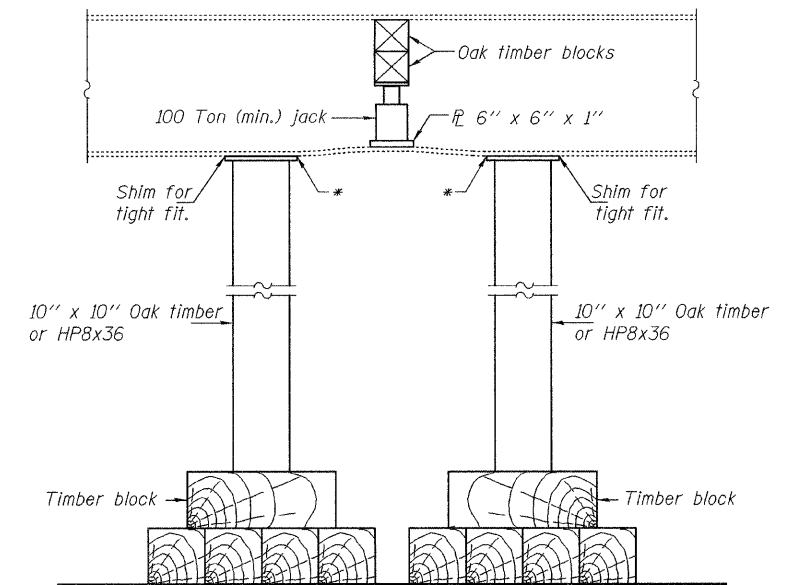


**PARTIAL PLANS
SUGGESTED BEAM STRAIGHTENING METHODS**

Straightening force shall be maintained on all load transfer blocking during beam straightening.



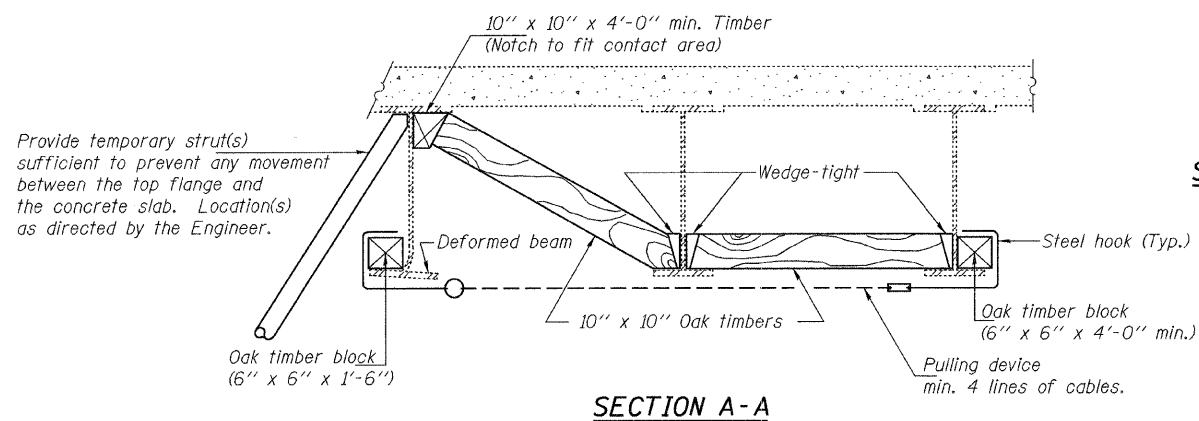
SUGGESTED VERTICAL STRAIGHTENING DETAIL
(To correct flange rotation.)



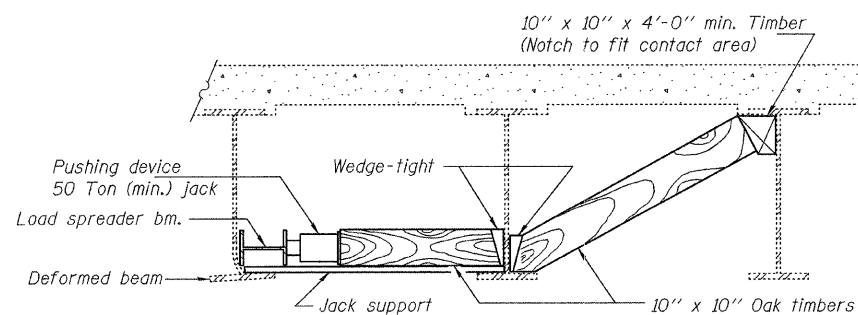
SUGGESTED VERTICAL STRAIGHTENING DETAIL
(To correct localized vertical flange deformations.)

* Edge of plate shall line up with edge of deformation.

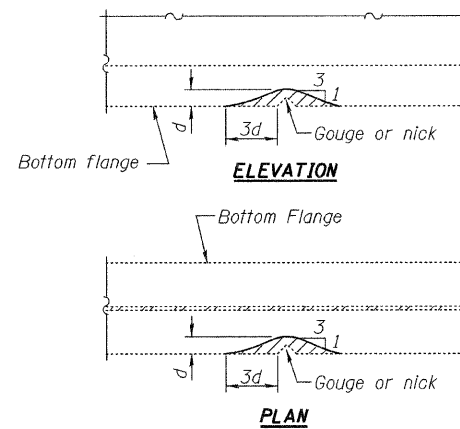
Note:
Braces and jack assembly shall be placed on same side of web.
Bent bottom flange shall be straightened before starting any horizontal straightening operations.



SECTION A-A

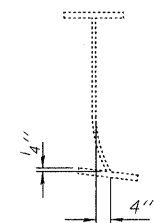


SECTION B-B



GRINDING DETAIL

Grind existing nicks, gouges and shallow cracks in the damaged beams as detailed. Ground surfaces shall be inspected for cracks using magnetic particle testing prior to initiating any beam straightening operations. Any cracks that cannot be removed by grinding approximately 1/4" deep shall be identified and reported to the Bureau of Bridges and Structures for further disposition. Ground surfaces shall be spot cleaned and painted with an aluminum epoxy mastic primer followed by a finish coat to match the color of the existing beam. Cost of grinding, testing and spot painting included with Beam Straightening.



**BEAM STRAIGHTENING DETAILS
HARLEM AVENUE (IL 43) OVER 95th STREET
SN 016-0320**

DESIGNED	VHV
CHECKED	IJL
DRAWN	Kyle M. Steffen
CHECKED	VHV IJL

JANUARY 22, 2010

EXAMINED *Carl P...*
ENGINEER OF STRUCTURAL SERVICES

PASSED *Ralph E. Anderson*
ENGINEER OF BRIDGES AND STRUCTURES

SHEET NO. 2	F.A. RTE.	SECTION	COUNTY	TOTAL SHEETS	SHEET NO.
	-	2009-070BR	COOK	17	10
2 SHEETS		CONTRACT NO. 60H78			
FED. ROAD DIST. NO.		ILLINOIS	FED. AID PROJECT		