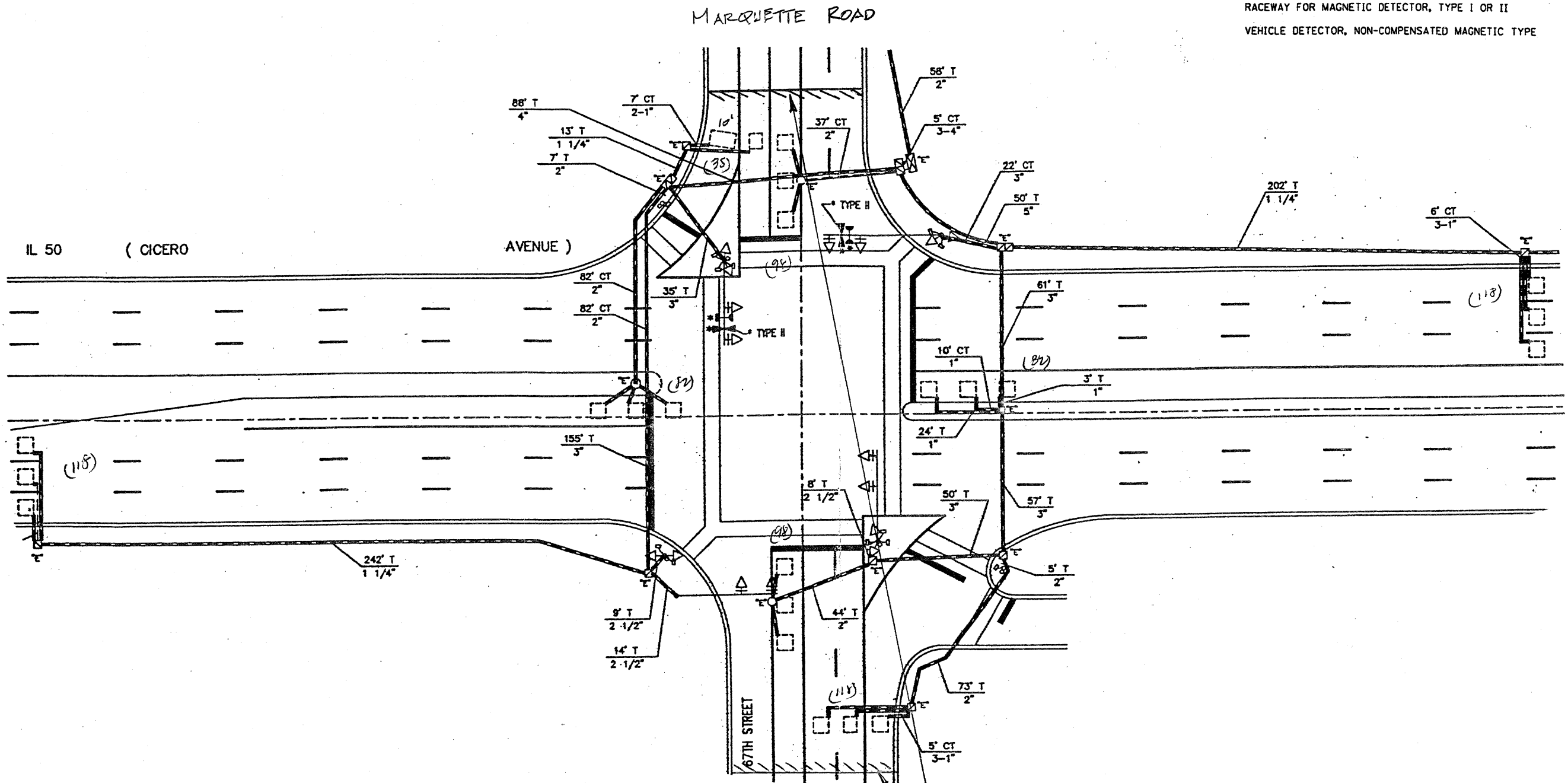


TRAFFIC SIGNAL LEGEND

	PROPOSED	EXISTING
DETECTOR LOOP		
SIGNAL HEAD		
G.S. CONDUIT IN TRENCH OR PUSHED		
SIGNAL HEAD WITH BACKPLATE		
RACEWAY FOR MAGNETIC DETECTOR, TYPE I OR II		
VEHICLE DETECTOR, NON-COMPENSATED MAGNETIC TYPE		



THIS PLAN IS FOR THE SOLE PURPOSE OF DETECTOR LOOP REPLACEMENTS ONLY

REPLACE ALL DETECTOR LOOPS AS SHOWN (WITHIN THE RESURFACING LIMITS)

RESURFACING LIMITS

CODE	QUANTITY	UNIT	ITEM
86600600	749	FOOT	DETECTOR LOOP, REPLACEMENT

FILE NAME =	USER NAME = konthaphixaybc	DESIGNED - BCK	REVISED -
at:\pwwork\VPWIDOT\KANTHAPHIXAYBC\d01126	4\trflic_legend.v7.dgn	DRAWN - BCK	REVISED -
PLOT SCALE = 3/8" = 1' IN.	CHECKED - DAD	REVISED -	REVISED -
PLOT DATE = 4/3/2009	DATE -	REVISED -	REVISED -

**STATE OF ILLINOIS
DEPARTMENT OF TRANSPORTATION**

DISTRICT ONE - DETECTOR LOOP REPLACEMENT
IL. ROUTE 50 (CICERO) @ MARQUETTE RD. (67TH)

F.A.P. RTE.	SECTION	COUNTY	TOTAL SHEETS	SHEET NO.
305	3293 RS-2	COOK	25	11
CONTRACT NO. 60491				

SCALE: NONE SHEET NO. OF SHEETS STA. TO STA. FED. ROAD DIST. NO. ILLINOIS FED. AID PROJECT