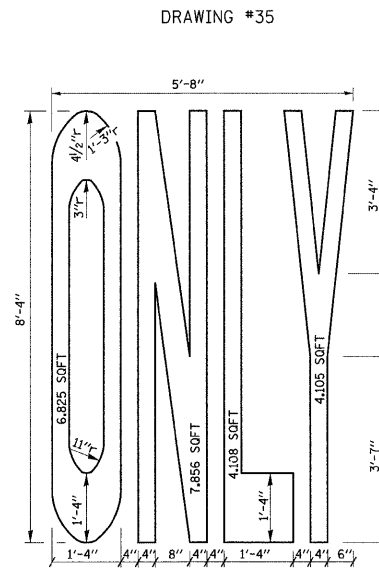
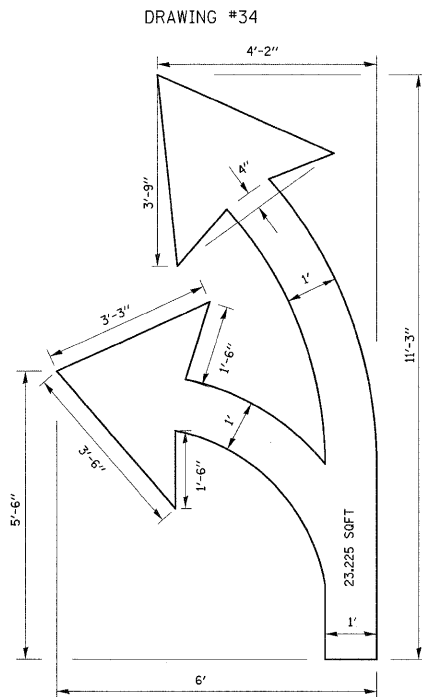
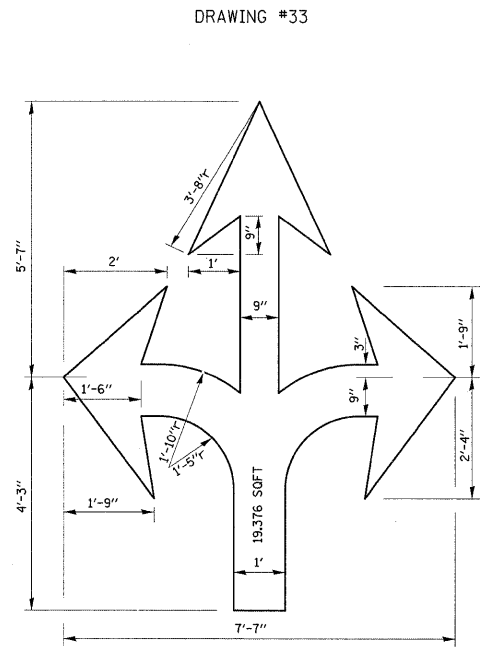
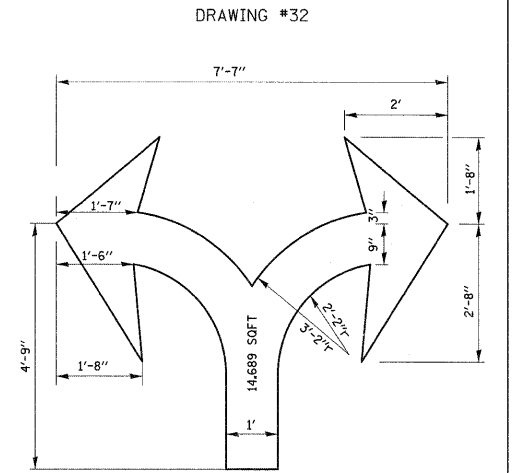
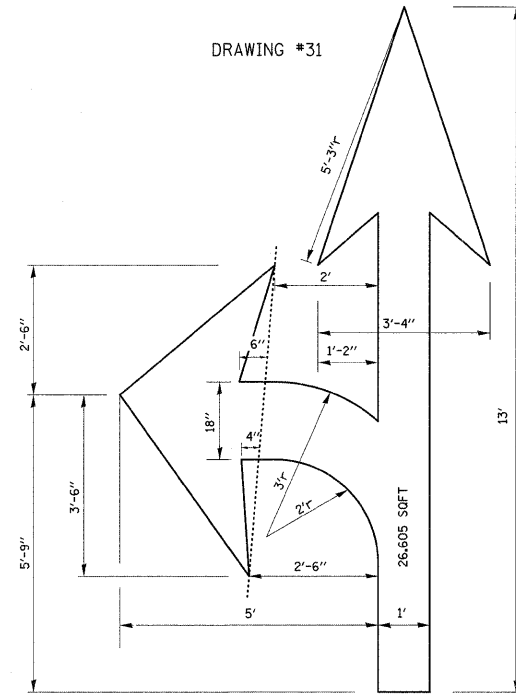
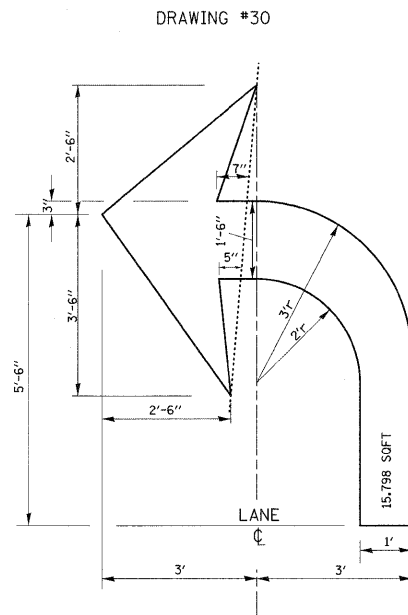
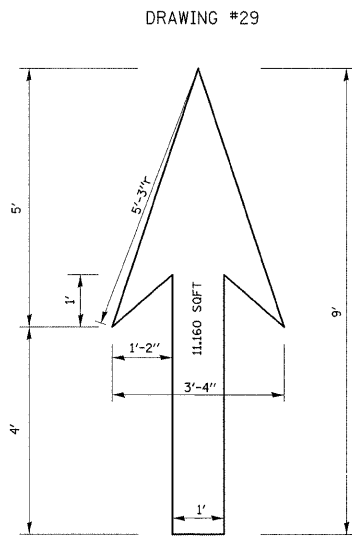


**NOTE:**

- 1.) FOR BIKE LANE SYMBOLS ONLY, USE PRE-FORMED THERMOPLASTIC WITH A MINIMUM THICKNESS OF 90 MILS, MINIMUM SKID RESISTANCE VALUE OF 60 BPN, & A MINIMUM INDEX OF REFRACTION OF 1.50.
- 2.) THE RESIDENT ENGINEER SHALL CONTACT MR. BEN GOMBERG AT 312-744-8093 AT LEAST ONE CALENDAR WEEK PRIOR TO INSTALLING BIKE LANE SYMBOLS.

**TYPICAL BIKE LANE SYMBOLS**  
DRAWING #28



**NOTE:**  
ALL MARKINGS SHALL BE SOLID WHITE UNLESS OTHERWISE NOTED IN THE PLANS

FILE NAME =	USER NAME = gaulleuemp	DESIGNED -	REVISED - T. RAMMACHER 12-07-00
es:\pwwork\pwwidot\GULLLAUMEFF\08147453\0183107-shd-plan.dgn		DRAWN -	REVISED -
		CHECKED -	REVISED -
		DATE - 12/18/2009	REVISED -

**STATE OF ILLINOIS**  
**DEPARTMENT OF TRANSPORTATION**

**CITY OF CHICAGO**  
**TYPICAL PAVEMENT MARKINGS**

SCALE: NONE SHEET NO. 2 OF 2 SHEETS STA. TO STA.

F.A.P. RTE.	SECTION	COUNTY	TOTAL SHEETS	SHEET NO.
305	3293 RS-2	COOK	25	24
TC-24			CONTRACT NO. 60H91	
FED. ROAD DIST. NO. 1 ILLINOIS FED. AID PROJECT				