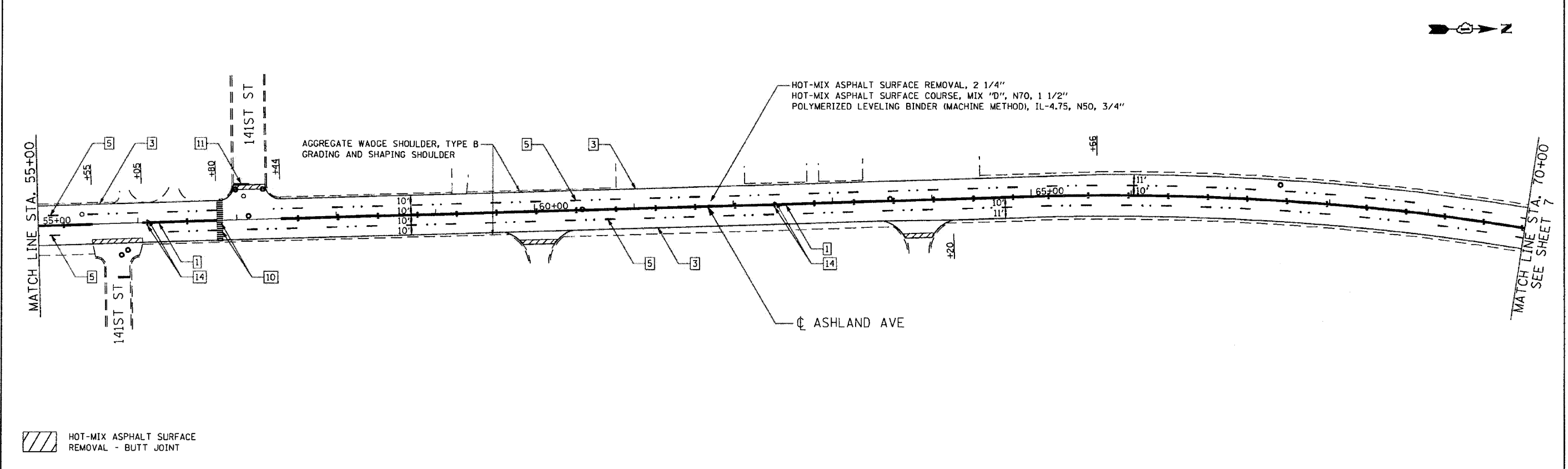


HOT-MIX ASPHALT SURFACE REMOVAL - BUTT JOINT

LEGEND:

- 1 THERMOPLASTIC PAVEMENT MARKING - LINE 4" (DOUBLE YELLOW SOLID LINE 11" C-C)
- 2 THERMOPLASTIC PAVEMENT MARKING - LINE 4" (YELLOW SOLID LINE)
- 3 THERMOPLASTIC PAVEMENT MARKING - LINE 4" (WHITE EDGE LINE)
- 4 THERMOPLASTIC PAVEMENT MARKING - LINE 4" (WHITE LANE LINE - 10' DASH, 30' SKIP)
- 5 THERMOPLASTIC PAVEMENT MARKING - LINE 4" (WHITE LANE LINE - 10' DASH, 30' SKIP) WITH RAISED REFLECTIVE PAVEMENT MARKERS (2 ONE-WAY CRYSTAL MARKER) (80' C-C)
- 6 THERMOPLASTIC PAVEMENT MARKING - LINE 6" (WHITE SOLID LINE)
- 7 THERMOPLASTIC PAVEMENT MARKING - LINE 6" (WHITE LANE LINE - 2' DASH, 6' SKIP)
- 8 THERMOPLASTIC PAVEMENT MARKING - LINE 8" (WHITE SOLID LINE)
- 9 THERMOPLASTIC PAVEMENT MARKING - LINE 12" (YELLOW DIAGONAL LINE)
- 10 THERMOPLASTIC PAVEMENT MARKING - LINE 12" (WHITE SOLID LINE)
- 11 THERMOPLASTIC PAVEMENT MARKING - LINE 24" (WHITE STOP LINE)
- 12 THERMOPLASTIC PAVEMENT MARKING - LETTERS AND SYMBOLS (TYP.)
- 13 RAISED REFLECTIVE PAVEMENT MARKERS (ONE-WAY AMBER MARKER) (40' C-C)
- 14 RAISED REFLECTIVE PAVEMENT MARKERS (TWO-WAY AMBER MARKER) (40' C-C)
- 15 RAISED REFLECTIVE PAVEMENT MARKERS (ONE-WAY CRYSTAL MARKER) (40' C-C)



HOT-MIX ASPHALT SURFACE REMOVAL - BUTT JOINT

FILE NAME: c:\projects\33681\3368_33\dwg\propose\plm\3368_33-7-pav02.dwg

Ciorba Group, Inc.
 CONSULTING ENGINEERS
 5507 North Cumberland Avenue, Suite 402
 Chicago, Illinois 60656
 Tel: 773.775.4009 Fax 773.775.4014

USER NAME	*wlanccaster	DESIGNED	- DKD	REVISED	-
DRAWN	- RJR	REVISED	-		
PLDT SCALE	* 1/8"=1'-0"	CHECKED	- SNS	REVISED	-
PLDT DATE	= 12/7/2009	DATE	= 12/11/2009	REVISED	-

**STATE OF ILLINOIS
 DEPARTMENT OF TRANSPORTATION**

**ASHLAND AVENUE / WOOD STREET
 IL 83 (SIBLEY BOULEVARD) TO 123RD ST
 PROPOSED ROADWAY AND PAVEMENT MARKING PLAN**

SCALE: 1"=50' SHEET NO. 6 OF 28 SHEETS STA. 40+00 TO STA. 70+00

F.A.U. RTE.	SECTION	COUNTY	TOTAL SHEETS	SHEET NO.
2857	1145 & 146) RS-7	COOK	28	6
FED. ROAD DIST. NO. 1 (ILLINOIS) FED. AID PROJECT			CONTRACT NO. 60103	