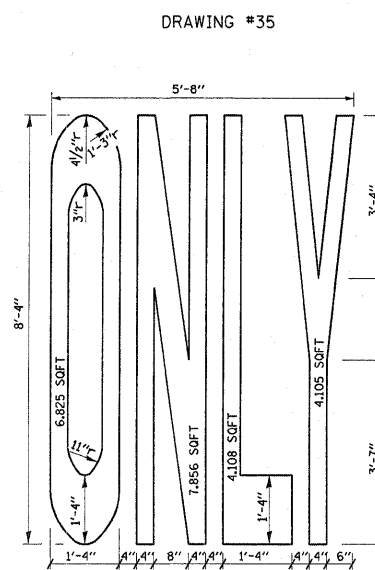
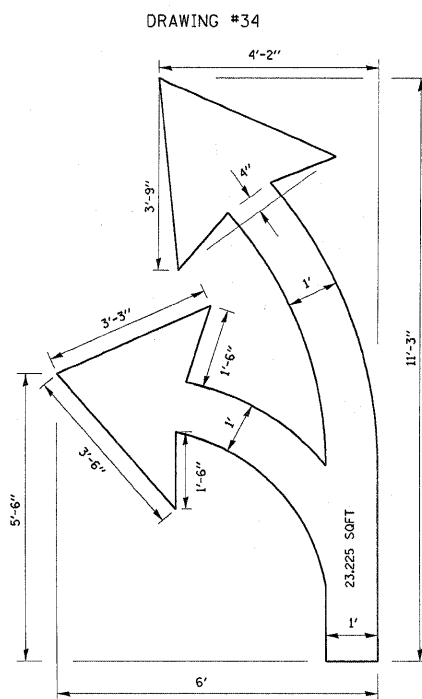
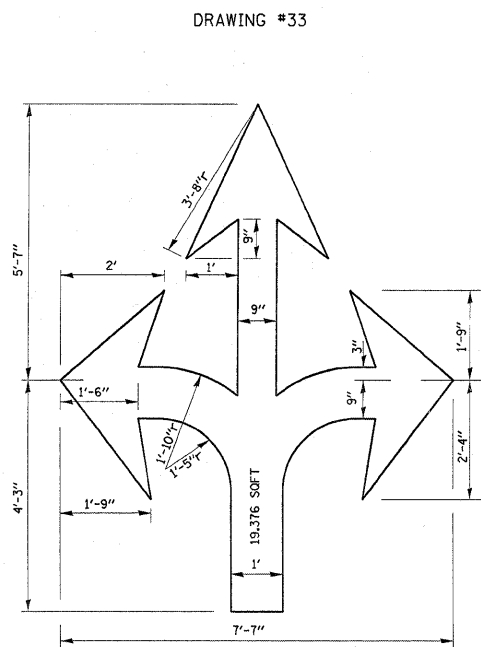
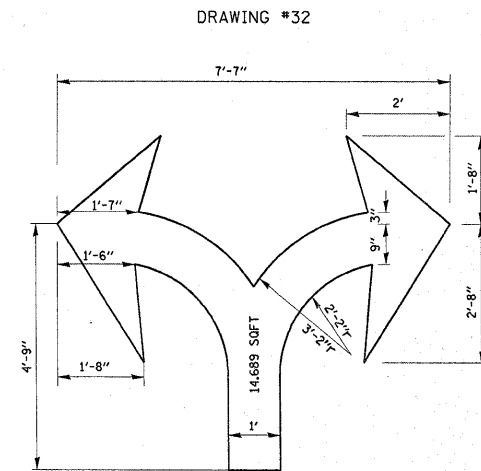
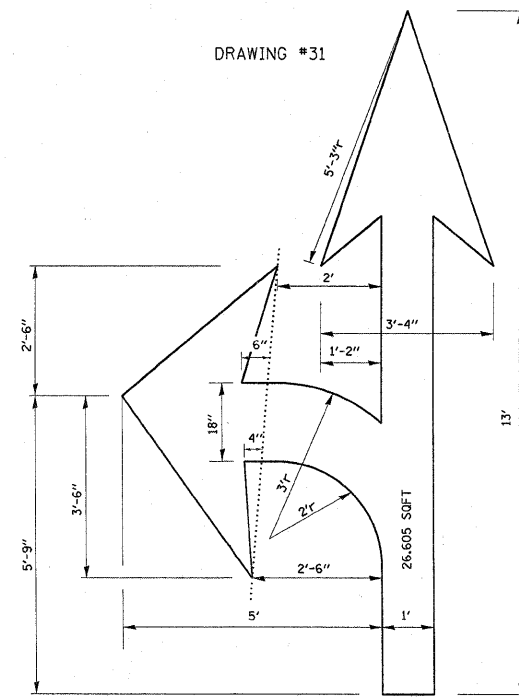
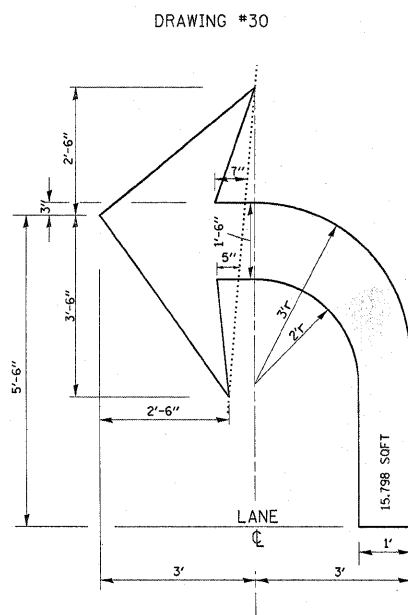
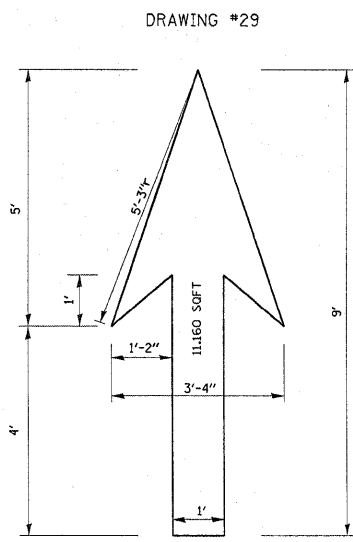


NOTE:
 1.) FOR BIKE LANE SYMBOLS ONLY, USE PRE-FORMED THERMOPLASTIC WITH A MINIMUM THICKNESS OF 90 MILS, MINIMUM SKID RESISTANCE VALUE OF 60 BPN, & A MINIMUM INDEX OF REFRACTION OF 1.50.
 2.) THE RESIDENT ENGINEER SHALL CONTACT MR. BEN GOMBERG AT 312-744-8093 AT LEAST ONE CALENDAR WEEK PRIOR TO INSTALLING BIKE LANE SYMBOLS.

TYPICAL BIKE LANE SYMBOLS
 DRAWING #28



NOTE:
 ALL MARKINGS SHALL BE SOLID WHITE UNLESS OTHERWISE NOTED IN THE PLANS

FILE NAME =	USER NAME = handanah	DESIGNED -	REVISED - T. RAMMACHER 12-07-00
at\pwork\p1007\HANDANAH\2147229\DrawStd.dgn		DRAWN -	REVISED -
		CHECKED -	REVISED -
		DATE -	REVISED -

STATE OF ILLINOIS
DEPARTMENT OF TRANSPORTATION

CITY OF CHICAGO	
TYPICAL PAVEMENT MARKINGS	
SCALE: NONE	SHEET NO. 2 OF 2 SHEETS
STA.	TO STA.

F.A.P. RTE.	F.A.U. RTE.	SECTION	COUNTY	TOTAL SHEETS	SHEET NO.
391	1478	(1616 & 1718) RS-3	COOK	26	25
TC-24			CONTRACT NO. 60106		
FED. ROAD DIST. NO. 1 ILLINOIS FED. AID PROJECT					