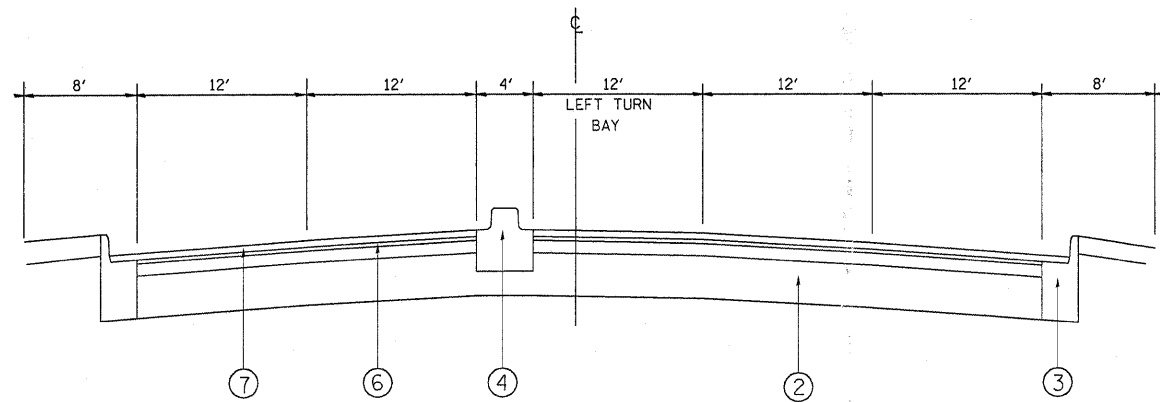


EXISTING TYPICAL CROSS SECTION

LEGEND

- ① EXISTING HMA SURFACE ± 2 1/2" (AFTER MILLING)
- ② EXISTING PCC BASE COURSE 10"
- ③ EXISTING COMB. CONCRETE CURB & GUTTER, TYPE B 6.12 OR 6.24
- ④ EXISTING CONCRETE BARRIER MEDIAN
- ⑤ PROP. HMA SURFACE REMOVAL, 2 1/2"
- ⑥ PROP. POLYMERIZED LEVELING BINDER (MM), IL-4.75, N50, 3/4"
- ⑦ PROP. POLYMERIZED HMA SURFACE COURSE, MIX "F", N90, 1 3/4"
- ⑧ PROP. CORRUGATED MEDIAN REMOVAL



PROPOSED TYPICAL CROSS SECTION

FILE NAME =	USER NAME = mossse	DESIGNED -	REVISED -
cs:\pw_work\VPW\DOT\MOSSES\20149205\185209-shr-plan.dgn		DRAWN -	REVISED -
PLOT SCALE = 50.0000' / IN.		CHECKED -	REVISED -
PLOT DATE = 8/14/2009		DATE -	REVISED -

STATE OF ILLINOIS
DEPARTMENT OF TRANSPORTATION

TYPICAL SECTION

SCALE: SHEET NO. OF SHEETS STA. TO STA.

F.A.P. RTE.	SECTION	COUNTY	TOTAL SHEETS	SHEET NO.
348	(2021-Y-1 & 3128) RS-3	COOK	35	5
CONTRACT NO. 60112			ILLINOIS FED. AID PROJECT	