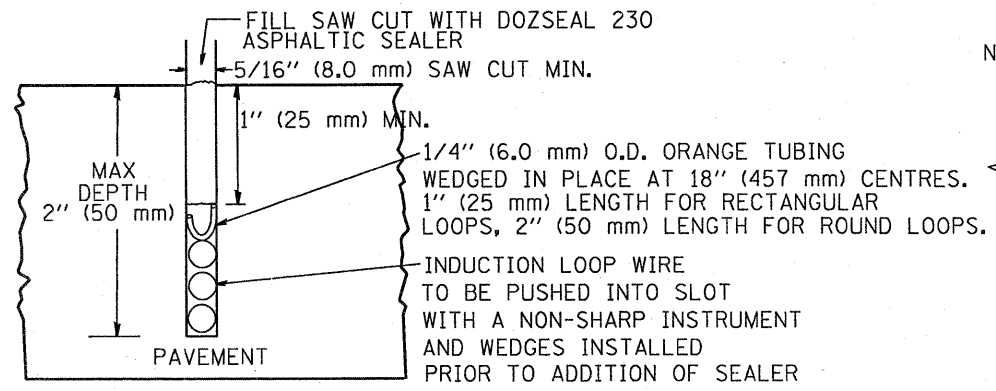
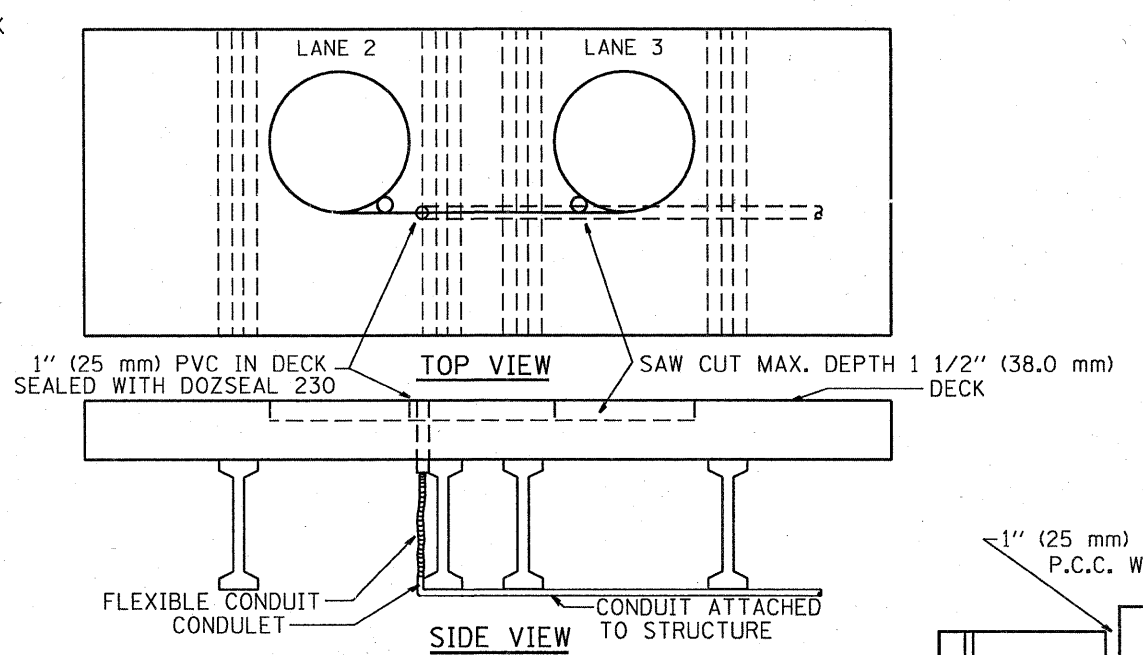
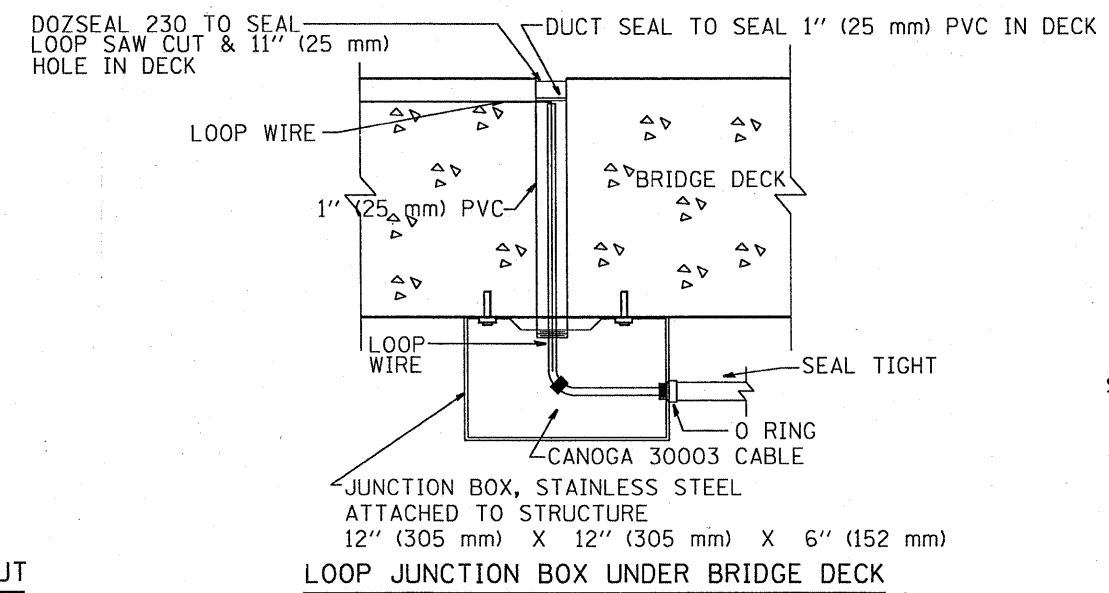
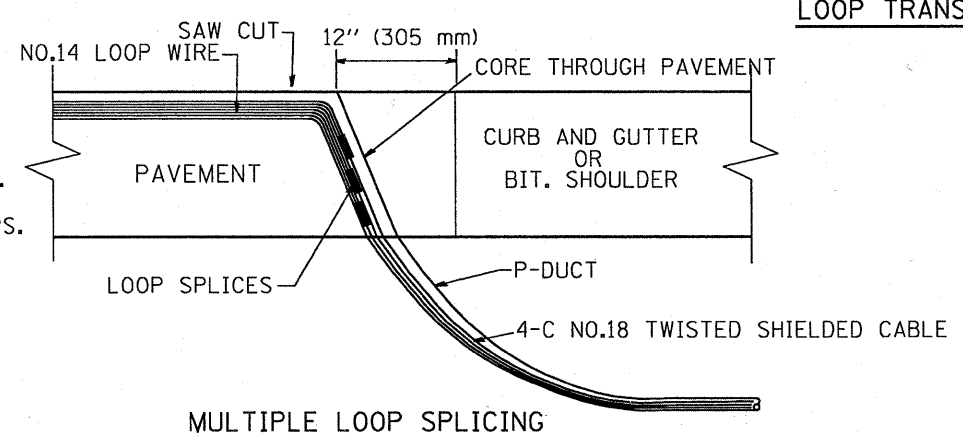


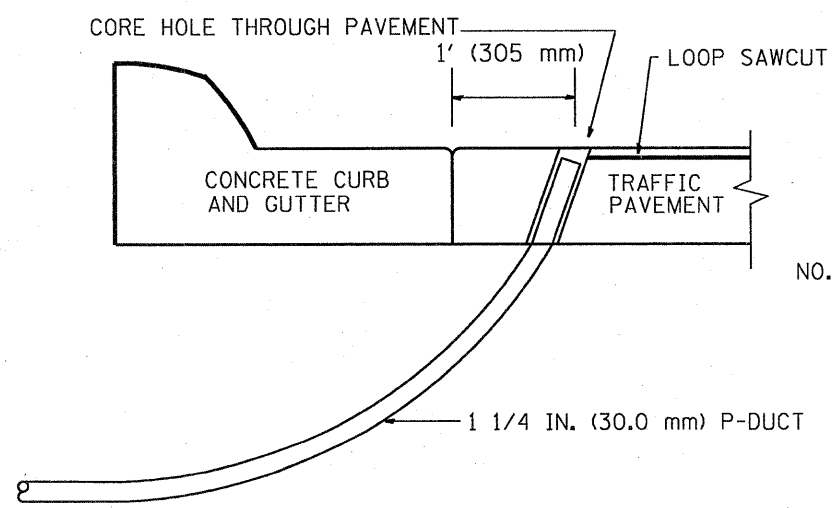
TYPICAL LOOP SAWCUT LAYOUT



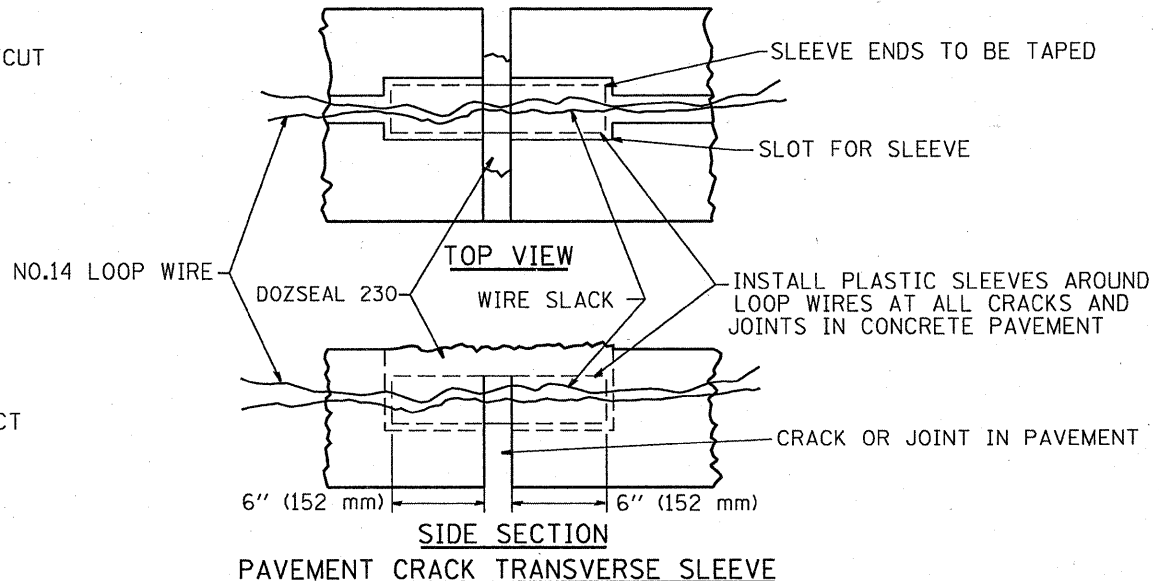
LOOP CROSS SECTION IN PAVEMENT



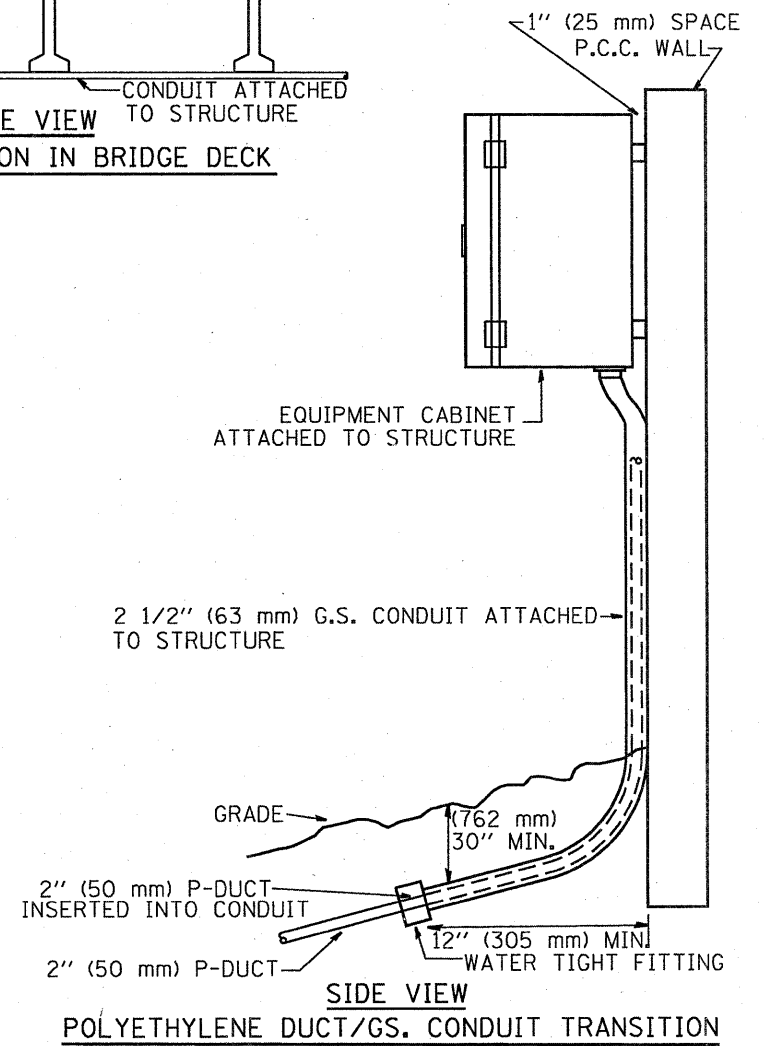
MULTIPLE LOOP SPLICING



SIDE SECTION LOOP LEAD-IN TRANSITION DETAIL



SIDE SECTION PAVEMENT CRACK TRANSVERSE SLEEVE



SIDE VIEW POLYETHYLENE DUCT/GS. CONDUIT TRANSITION

FILE NAME = C:\d105010\155TCTYP.dgn	USER NAME = mezeg	DESIGNED - R.L.	REVISED - 06/94
		DRAWN - G.M.	REVISED - 03/96
		CHECKED - R.L.	REVISED - 11/96
		DATE - 06/22/94	REVISED - 10/96

STATE OF ILLINOIS
DEPARTMENT OF TRANSPORTATION
TRAFFIC SYSTEMS CENTER

LOOP, CONDUIT & DUCT
INSTALLATION DETAILS

SCALE: NONE	SHEET NO. OF SHEETS	STA. TO STA.
-------------	---------------------	--------------

Added Sheet 2-10-10

F.A. RTE.	SECTION	COUNTY	TOTAL SHEETS	SHEET NO.
55	99(1+2) R5-11	W.11	45	34F
FED. ROAD DIST. NO. [ILLINOIS] FED. AID PROJECT			CONTRACT NO. 60153	