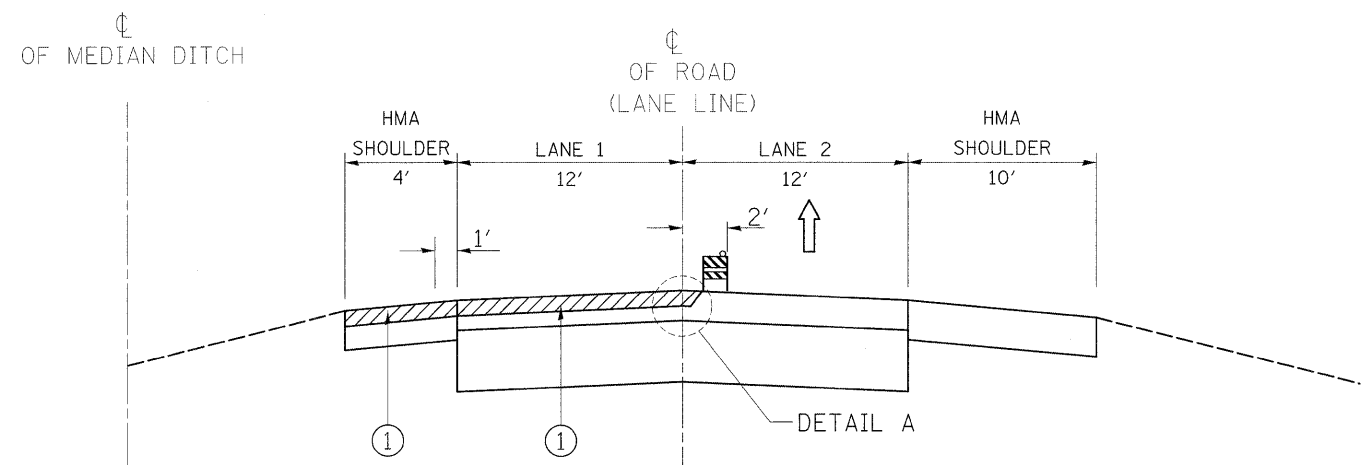


**PRE-OPERATION 1**

PATCHING WORK TO BE DONE BEFORE MILLING  
 IL.-55 (SOUTH BOUND) & (NORTH BOUND)



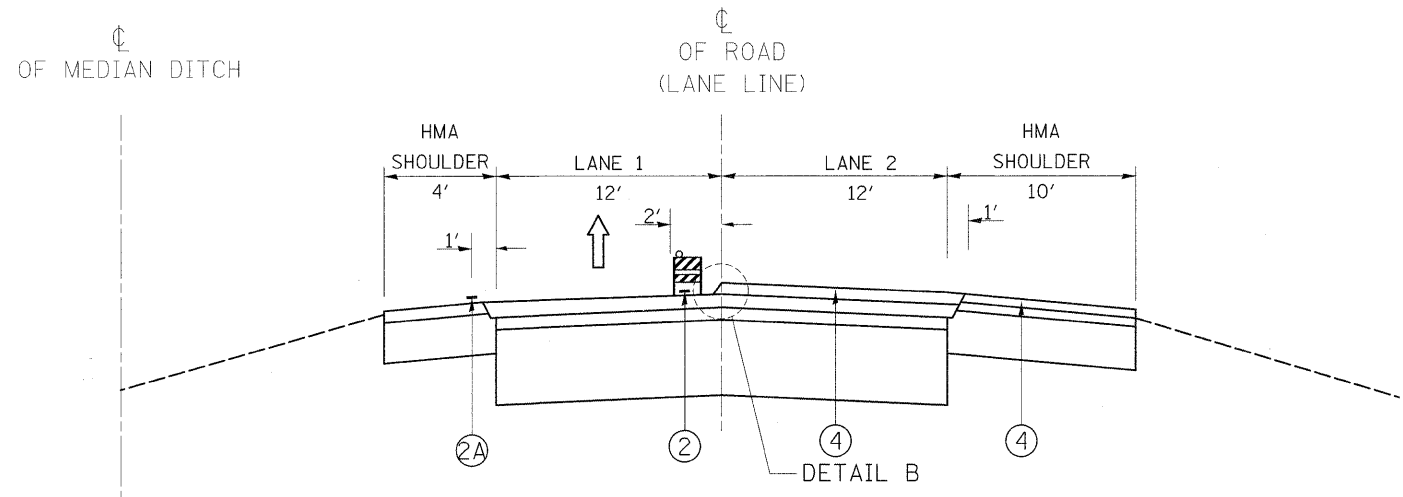
**OPERATION 1**

- \* ① MILL 4" LANE 1 & INNER SHOULDER AND PLACE POLY. SMA BINDER COURSE 2"
- ② WET REFLECTIVE TEMPORARY TAPE, TYPE III, 5" LANE LINE (SKIP-DASH)
- ②A WET REFLECTIVE TEMPORARY TAPE, TYPE III, 4" (EDGE LINE)

**NOTE:**

- \* 1. GRADE DIFFERENTIAL BETWEEN LANES SHALL NOT EXCEED 2"
- 2. BARRICADES/DRUMS TO BE PLACED ON THE SHOULDER WITHIN 2' OF THE EDGE OF THE PAVEMENT DURING NON-WORKING HOURS

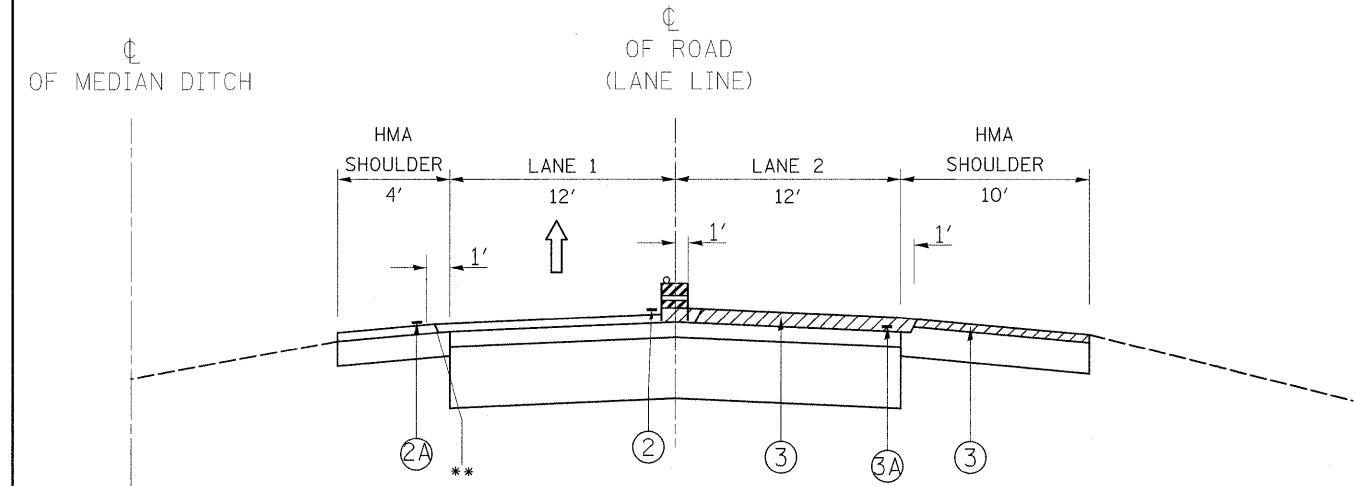
IL.-55 (SOUTH BOUND) & (NORTH BOUND)



**OPERATION 3**

- ④ PLACE POLY. SMA SURFACE COURSE 2" ON LANE 2 AND HMA SURFACE COURSE, MIX "D" 1 1/2" ON OUTER SHOULDER

IL.-55 (SOUTH BOUND) & (NORTH BOUND)



**OPERATION 2**

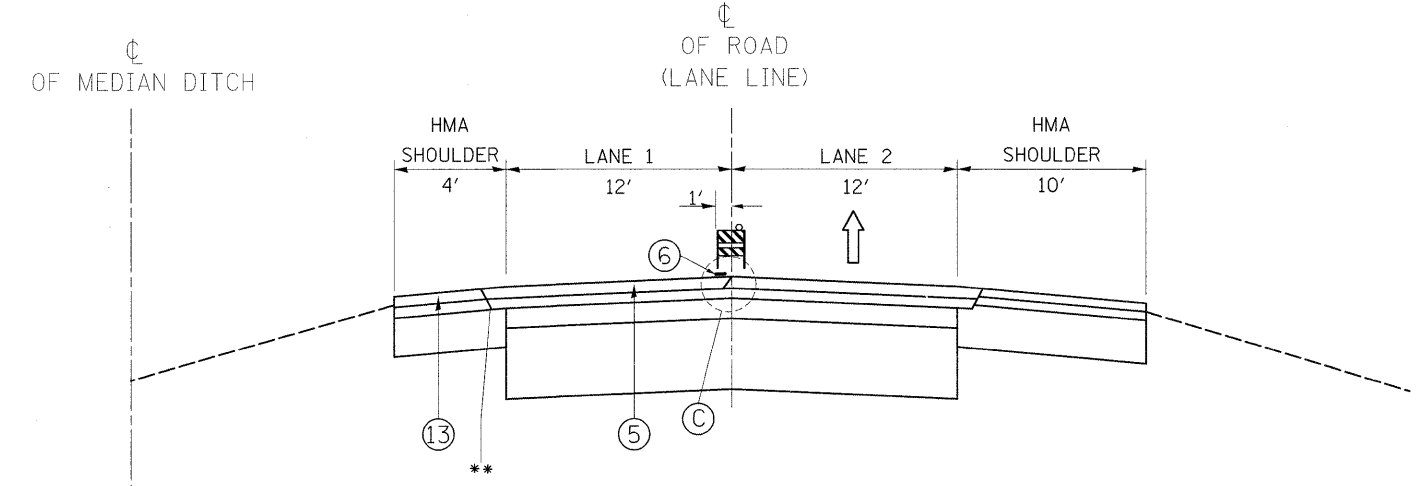
- \* ③ MILL 4" LANE 2 & MILL 3 3/4 " OUTER SHOULDER AND PLACE POLY. SMA BINDER COURSE 2" ON LANE 2 AND HMA BINDER COURSE, N70, 2 1/4" ON OUTER SHOULDER

**NOTE:**

- \* 1. GRADE DIFFERENTIAL BETWEEN LANES SHALL NOT EXCEED 2"
- 2. BARRICADES/DRUMS TO BE PLACED ON THE SHOULDER WITHIN 2' OF THE EDGE OF THE PAVEMENT DURING NON-WORKING HOURS

\*\* OPTIONAL JOINT

IL.-55 (SOUTH BOUND) & (NORTH BOUND)



**OPERATION 4**

- ⑤ PLACE POLY. SMA SURFACE COURSE 2" ON LANE 1 AND INSIDE SHOULDER
- ⑥ FINAL PAVEMENT MARKING WITH PREFORMED PLASTIC PAVEMENT MARKING TYPE B- INLAID-LINE 5"

FILE NAME =	USER NAME = abobawa	DESIGNED -	REVISED -	<b>STATE OF ILLINOIS DEPARTMENT OF TRANSPORTATION</b>	IL. ROUTE 55 SUGGESTED SEQUENCE OF OPERATIONS		F.A.I. RTE.	SECTION	COUNTY	TOTAL SHEETS	SHEET NO.
es:\pwork\VPWIDOT\ABEBAWA\d0169692\sh-	plan.dgn	DRAWN -	REVISED -		55	99 (1&2) RS-11	WILL	45	7		
PLOT SCALE = 50.0000' / IN.	CHECKED -	REVISED -	REVISED -		CONTRACT NO. 60153						
PLOT DATE = 12/23/2009	DATE -	REVISED -	REVISED -		ILLINOIS FED. AID PROJECT						