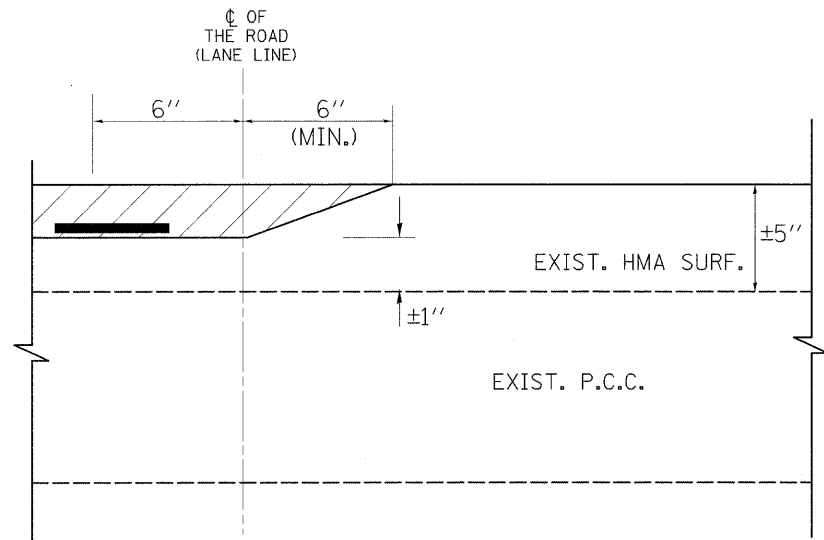
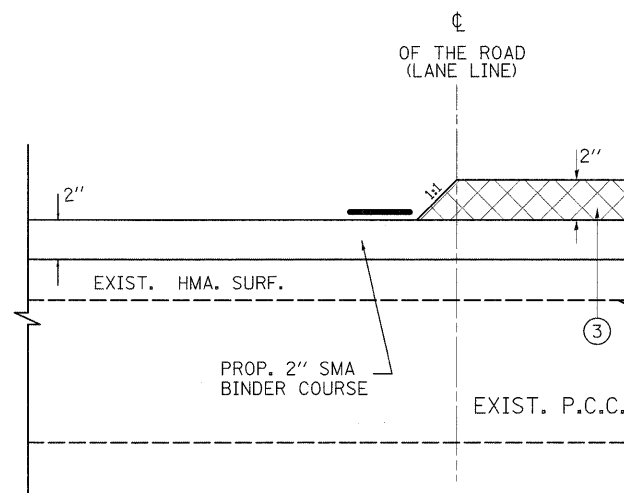


MILLING DETAIL



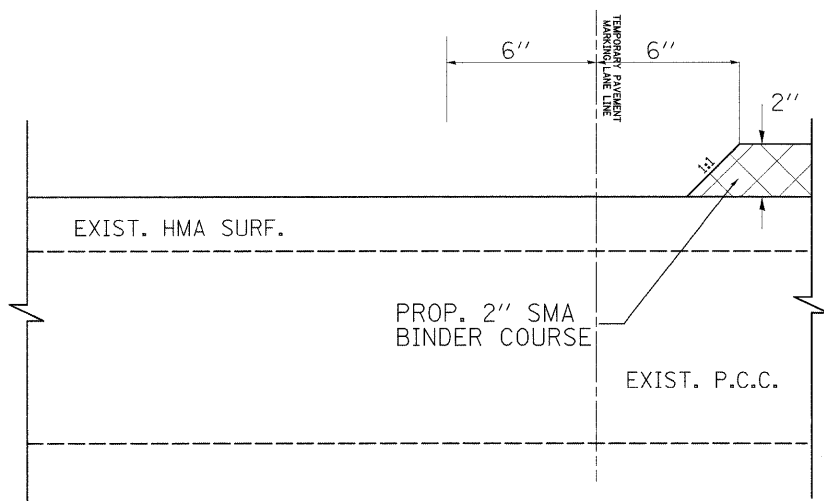
DETAIL 'A' (TYPICAL)

PAVING DETAILS

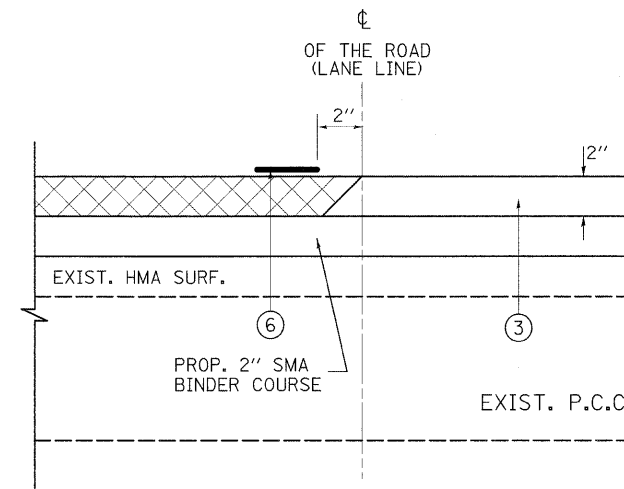


DETAIL 'B' (TYPICAL)

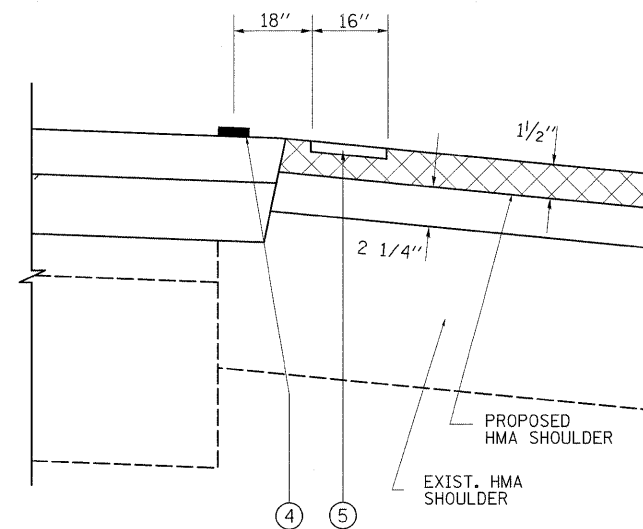
PAVING DETAILS



DETAIL 'A' (TYPICAL)



DETAIL 'C' (TYPICAL)



DETAIL 'D' (TYPICAL)

GENERAL NOTES - TRAFFIC CONTROL

1. THE CONTRACTOR SHALL PLACE AND MAINTAIN DRUMS WITH MONO-DIRECTIONAL STEADY BURNING LIGHTS AT 100-FOOT C-C ON THE SHOULDER ADJACENT TO MILLED AREAS. DRUMS WILL REMAIN IN PLACE UNTIL THE PROPOSED SURFACE HAS BEEN PLACED AND EDGE LINES HAVE BEEN INSTALLED.
2. AT THE END OF EACH NIGHTLY SHIFT, THE CONTRACTOR SHALL SWEEP THE PAVEMENT SURFACE CLEAN, PLACE TEMPORARY PAVEMENT MARKING AND REMOVE TRAFFIC CONTROL FOR LANE CLOSURE.
3. THE MILLING REQUIRED TO PLACE A TAPER BETWEEN LANES (SEE DETAILS A, B AND C) WILL BE INCLUDED IN THE COST OF HOT-MIX ASPHALT SURFACE REMOVAL 4".
4. GRADE DIFFERENTIAL BETWEEN PAVED LANES SHALL NOT EXCEED 2".

LEGEND FOR DETAILS A, B, C & D

- ① PROPOSED HOT-MIX ASPHALT SURFACE REMOVAL, 2"
- ② PROPOSED EPOXY PAVEMENT MARKING, LINE 5"
- ③ PROPOSED SMA SURFACE COURSE, 2"
- ④ PROPOSED THERMOPLASTIC PAVEMENT MARKING, LINE 4"
- ⑤ PROPOSED RUMBLE STRIP ON SHOULDER
- ⑥ PERFORMED PLASTIC PAVEMENT MARKING, TYPE B-INLAID-LINE 5"

FILE NAME =	USER NAME = abebawa	DESIGNED -	REVISED -	STATE OF ILLINOIS DEPARTMENT OF TRANSPORTATION	IL. ROUTE 55 SUGGESTED SEQUENCE OF OPERATIONS, DETAILS & GENERAL NOTES-TRAFFIC CONTROL	F.A.I. RTE.	SECTION	COUNTY	TOTAL SHEETS	SHEET NO.	
si\pw_work\VPWIDOT\ABEBAWA\d0169692\sh-t-b\en.dgn	PLOT SCALE = 50,0000' / IN.	DRAWN -	REVISED -			55	99 (1&2) R5-11	WILL	45	9	
	PLOT DATE = 12/23/2009	CHECKED -	REVISED -			CONTRACT NO. 60153					
		DATE -	REVISED -			SCALE:	SHEET NO. 1 OF 1 SHEETS	STA.	TO STA.	ILLINOIS FED. AID PROJECT	