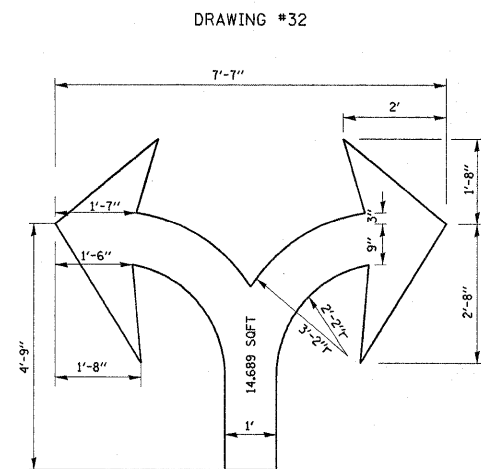
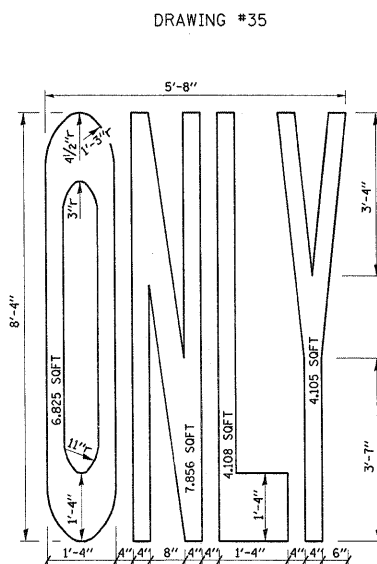
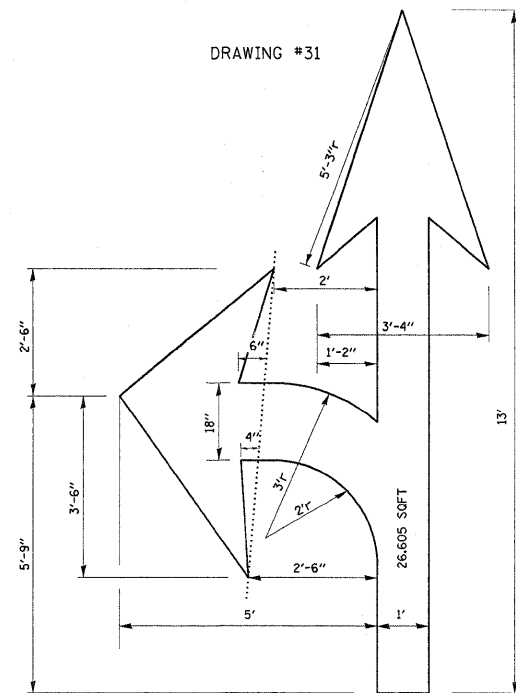
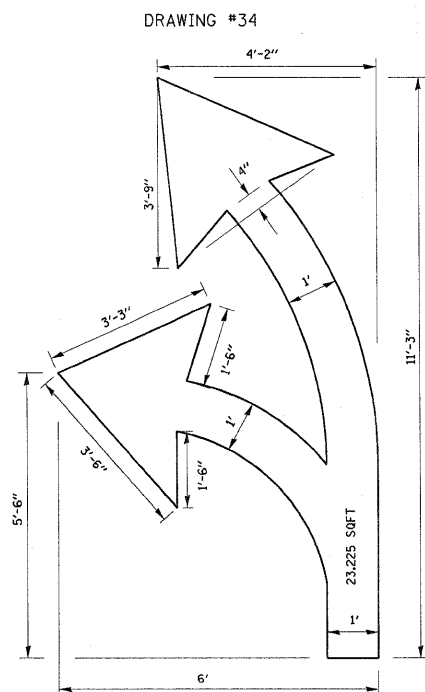
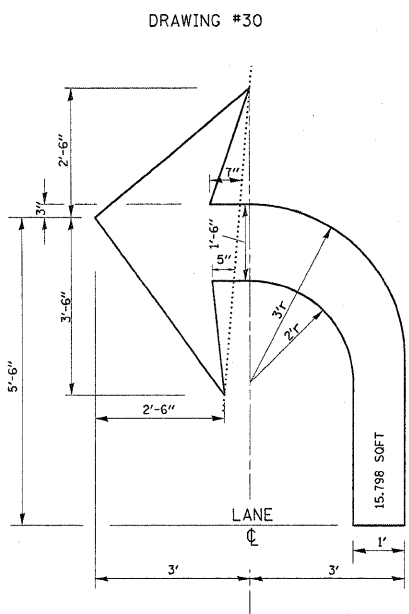
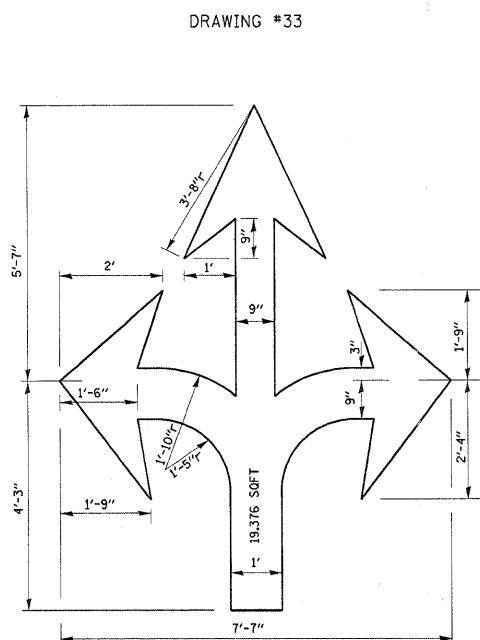
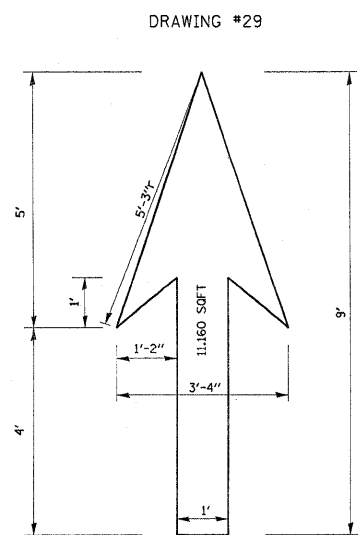


- NOTE:**
- FOR BIKE LANE SYMBOLS ONLY, USE PRE-FORMED THERMOPLASTIC WITH A MINIMUM THICKNESS OF 90 MILS, MINIMUM SKID RESISTANCE VALUE OF 60 BPN, & A MINIMUM INDEX OF REFRACTION OF 1.50.
  - THE RESIDENT ENGINEER SHALL CONTACT MR. BEN GOMBERG AT 312-744-8093 AT LEAST ONE CALENDAR WEEK PRIOR TO INSTALLING BIKE LANE SYMBOLS.

**TYPICAL BIKE LANE SYMBOLS**  
DRAWING #28



**NOTE:**  
ALL MARKINGS SHALL BE SOLID WHITE UNLESS OTHERWISE NOTED IN THE PLANS

FILE NAME =	USER NAME = abebawa	DESIGNED -	REVISED - T. RAMMACHER 12-07-00
ca:\pw\work\pwwid\abebawa\00147373\Drawings	td.dgn	DRAWN -	REVISED -
	PLOT SCALE = 50.00000' / IN.	CHECKED -	REVISED -
	PLOT DATE = 8/15/2009	DATE -	REVISED -

**STATE OF ILLINOIS**  
**DEPARTMENT OF TRANSPORTATION**

<b>CITY OF CHICAGO</b>	
<b>TYPICAL PAVEMENT MARKINGS</b>	
SCALE: NONE	SHEET NO. 2 OF 2 SHEETS
STA.	TO STA.

F.A.U. RTE.	SECTION	COUNTY	TOTAL SHEETS	SHEET NO.
1349	3309B-RS-1	COOK	26	25B
<b>TC-24</b>		CONTRACT NO. 62759		
FED. ROAD DIST. NO. 1 ILLINOIS FED. AID PROJECT				