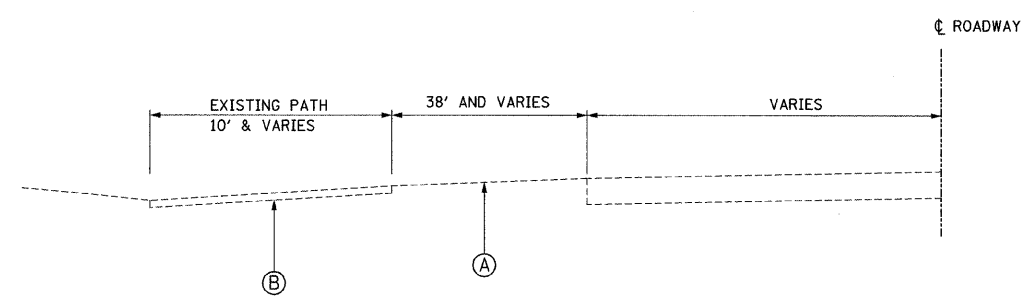
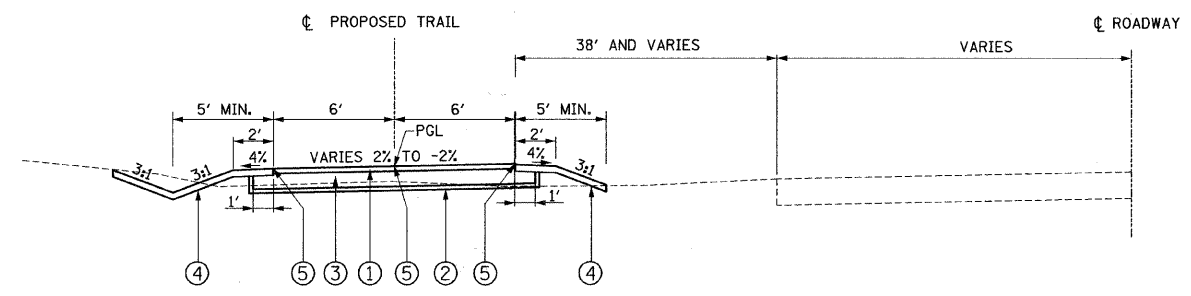


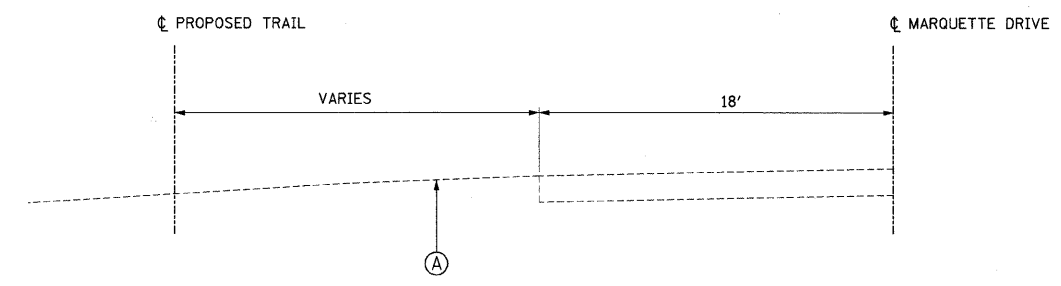
F.A.I. RTE.	SECTION	COUNTY	TOTAL SHEETS	SHEET NO.
	01-P4019-05-BT	COOK	23	4
STA.	TO STA.			
FED. ROAD DIST. NO.	ILLINOIS	FED. AID PROJECT		



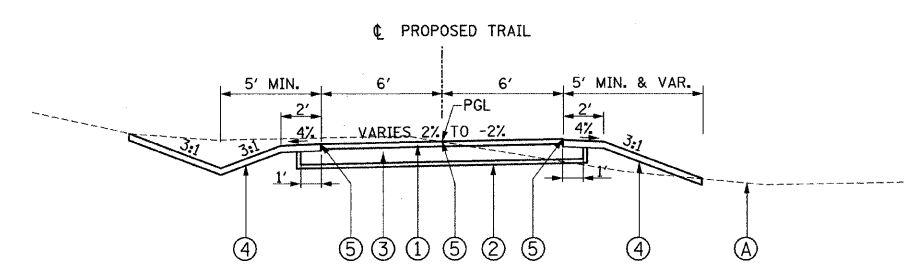
EXISTING TYPICAL SECTION ALONG MARQUETTE DR AND CORNELL AVE
STA. 0+00 TO STA. 2+50 STA. 100+00 TO STA. 104+70
STA. 9+50 TO STA. 18+00



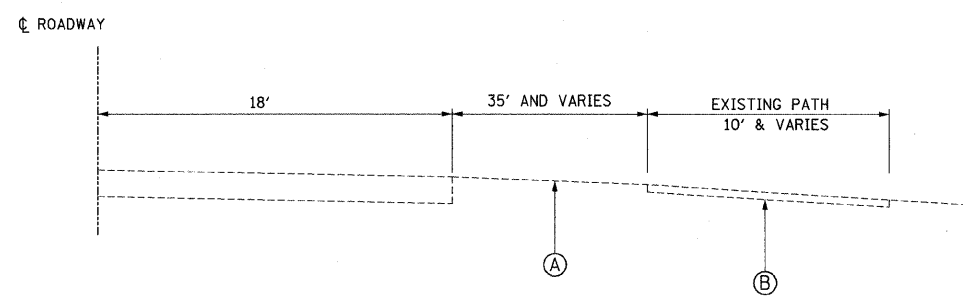
PROPOSED TRAIL TYPICAL SECTION ALONG MARQUETTE DR AND CORNELL AVE
STA. 0+00 TO STA. 2+50 STA. 100+00 TO STA. 104+70
STA. 9+50 TO STA. 18+00



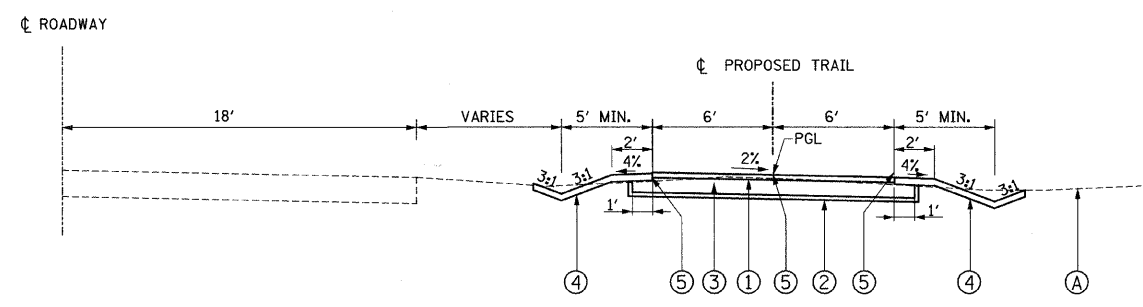
EXISTING TYPICAL SECTION ALONG MARQUETTE DRIVE
STA. 2+50 TO STA. 9+50 STA. 18+00 TO STA. 22+47



PROPOSED TRAIL TYPICAL SECTION ALONG MARQUETTE DRIVE
STA. 2+50 TO STA. 9+50 STA. 18+00 TO STA. 22+47



EXISTING TYPICAL SECTION ALONG MARQUETTE DRIVE
STA. 50+00 TO STA. 52+34



PROPOSED TRAIL TYPICAL SECTION ALONG MARQUETTE DRIVE
STA. 50+00 TO STA. 52+34

LEGEND

- (A) EXISTING GROUND
- (B) EXISTING BITUMINOUS PAVEMENT
- (1) 3" H.M.A. SURFACE COURSE
- (2) GEOTECHNICAL FABRIC
- (3) 6" AGGREGATE BASE COURSE
- (4) 4" TOPSOIL AND SEEDING
- (5) PROPOSED PAVEMENT MARKINGS:
 - 4" YELLOW 12'-3' CENTER SKIP LINE
 - 4" SOLID WHITE EDGE LINE

MIXTURE TYPE	AC TYPE	PERCENT AIR VOIDS
HOT-MIX ASPHALT SURFACE COURSE, MIX "C", N50 (IL 9.5mm); 3"	PG 64-22	4% @ 50 GYR.

REVISIONS	
NAME	DATE

ILLINOIS DEPARTMENT OF TRANSPORTATION
 CHICAGO PARK DISTRICT - JACKSON PARK
 MARQUETTE DRIVE BICYCLE PATH
 SCALE: 1" = 20'
 DATE: 10/16/2009
 DRAWN BY: MJP
 CHECKED BY: TB