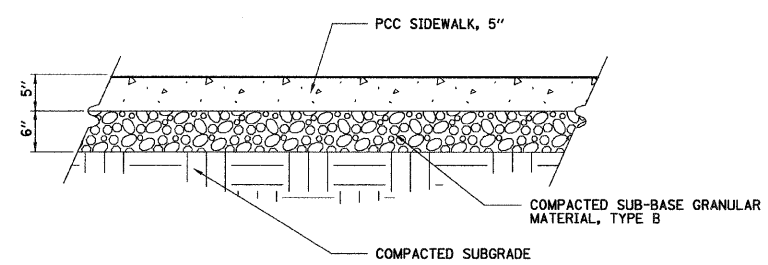
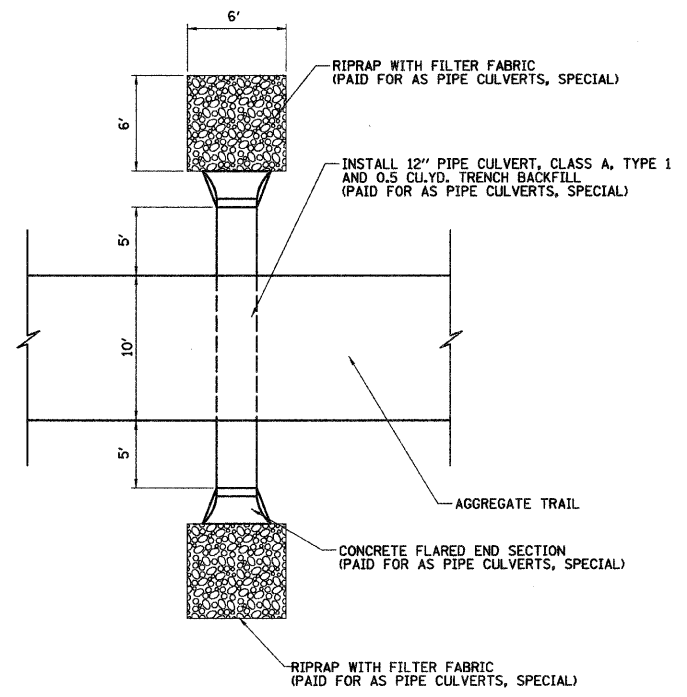


BIKE TRAIL PATH

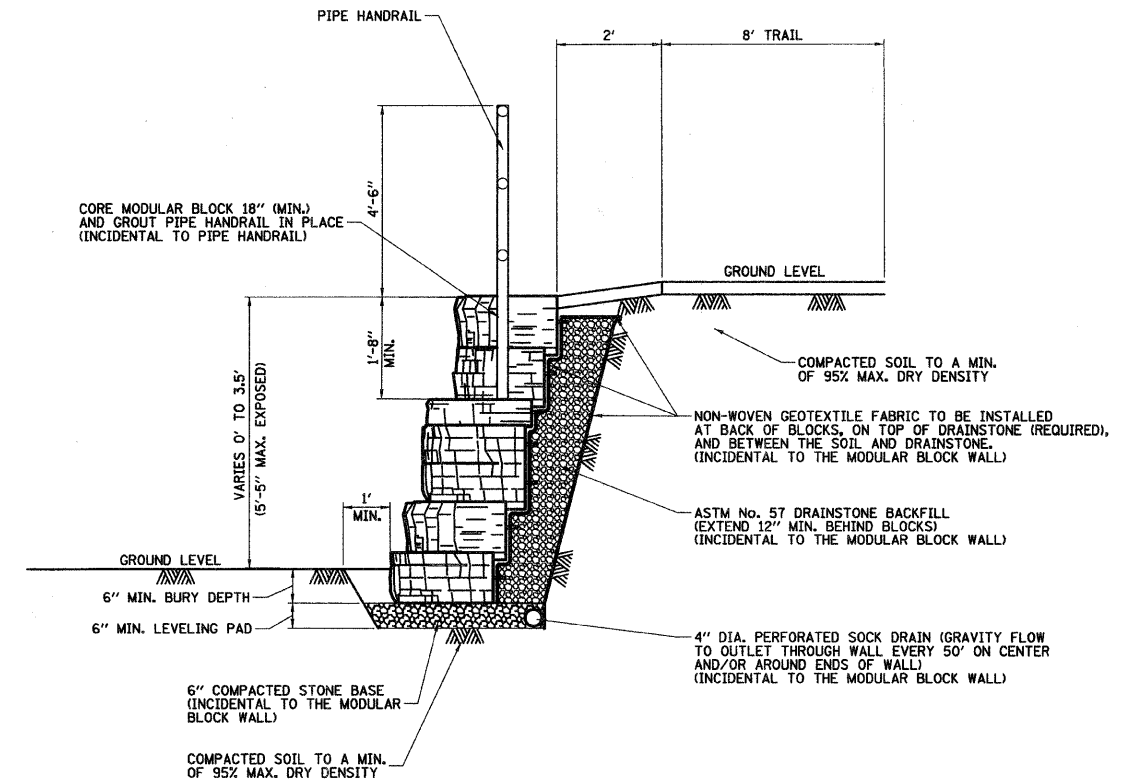


P.C.C. SIDEWALK, 5 INCH



CULVERT CROSSING DETAIL

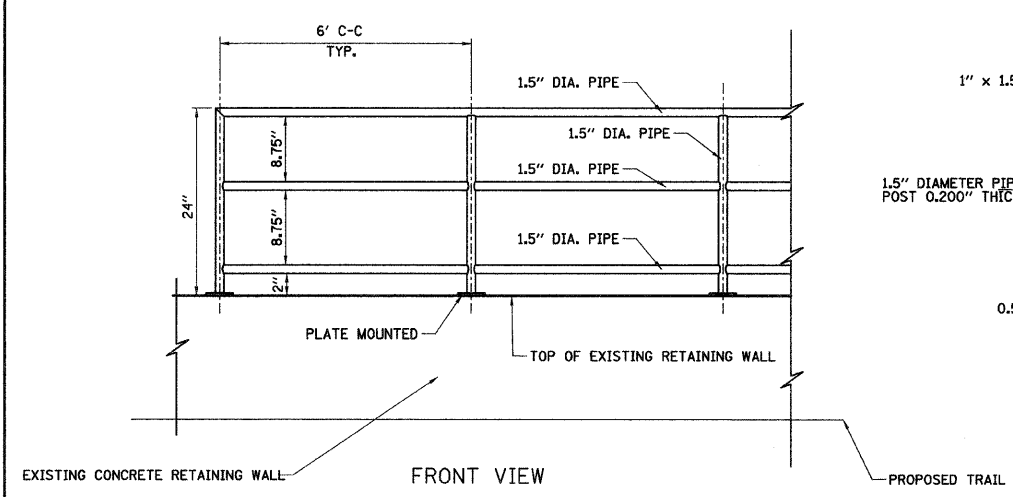
N.T.S.



MODULAR BLOCK RETAINING WALL DETAIL

N.T.S.

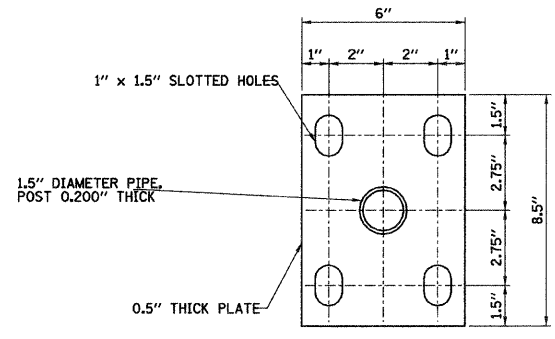
- NOTES:
- THIS DETAIL FOR REFERENCE ONLY.
 - EXCAVATION FOR THE WALL AND ALL COMPONENTS IS INCIDENTAL TO MODULAR BLOCK RETAINING WALL.
 - MODULAR BLOCK WALL SHALL BE ROSETTA STONE BLOCKS OR APPROVED EQUAL.
 - BLOCK SIZES AND PLACEMENT SHOWN ARE FOR REFERENCE ONLY. INDIVIDUAL BLOCKS WILL VARY WITH INSTALLATION PATTERN.
 - FINAL INSTALLATION SHALL CONFORM TO THE MANUFACTURER'S RECOMMENDATIONS.
 - ALL INTERNAL DRAINAGE ITEMS SHALL BE INCIDENTAL TO THE MODULAR BLOCK RETAINING WALL AND INSTALLED PER THE MANUFACTURER'S RECOMMENDATIONS.
 - THERE IS A 27" RC SEWER PIPE AT STA. 117+57 WHERE THE PROPOSED MODULAR BLOCK RETAINING WALL IS TO BE INSTALLED OVER THE SEWER PIPE. THE CONTRACTOR SHALL BE RESPONSIBLE TO ENSURE THE STRUCTURAL INTEGRITY OF THIS PIPE BE MAINTAINED DURING THE CONSTRUCTION OPERATIONS.
 - THE CONTRACTOR SHALL SUBMIT SHOP DRAWINGS AND CALCULATIONS STAMPED BY A LICENSED ILLINOIS STRUCTURAL ENGINEER FOR REVIEW AND APPROVAL.



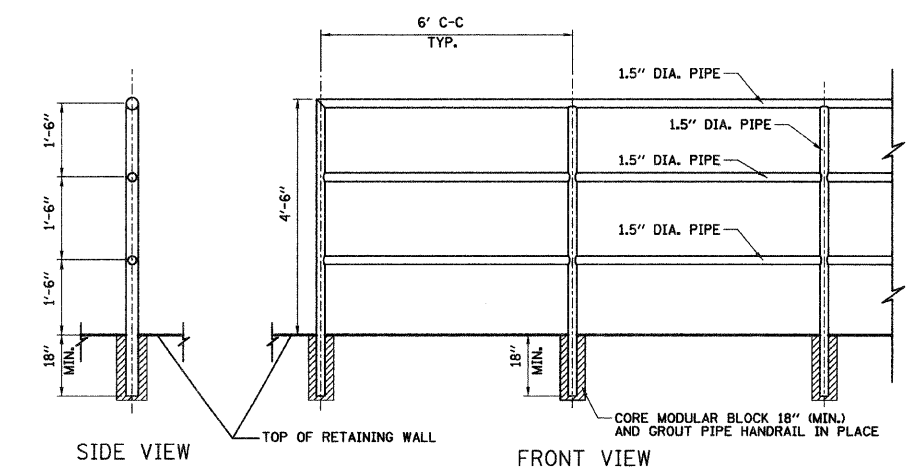
HANDRAIL, SPECIAL

N.T.S.

- NOTES:
- POST SHALL BE SCHEDULE 80 WITH A THICKNESS OF 0.200 INCHES AND RAILS SHALL BE SCHEDULE 40 WITH A THICKNESS OF 0.145 INCHES.
 - ALL WELDS SHALL BE GROUND SMOOTH.
 - PIPE HANDRAIL SHALL BE PAINTED BLACK.
 - PIPE HANDRAILS SHALL BE IN ACCORDANCE WITH ARTICLE 509.05(d) OF IDOT SSRBC.



BASE PLATE



PIPE HANDRAIL DETAIL

N.T.S.

- NOTES:
- POST SHALL BE SCHEDULE 80 WITH A THICKNESS OF 0.200 INCHES AND RAILS SHALL BE SCHEDULE 40 WITH A THICKNESS OF 0.145 INCHES.
 - ALL WELDS SHALL BE GROUND SMOOTH.
 - PIPE HANDRAIL SHALL BE PAINTED BLACK.
 - CORING WILL BE INCIDENTAL TO PIPE HANDRAIL.
 - PIPE HANDRAILS SHALL BE IN ACCORDANCE WITH ARTICLE 509.05(d) OF IDOT SSRBC.

FILE NAME = DI-2173-shrt-detail-1.dgn	USER NAME = CEI>User	DESIGNED - RJD/BJB	REVISED -	STATE OF ILLINOIS DEPARTMENT OF TRANSPORTATION	DES PLAINES RIVER TRAIL IMPROVEMENTS DETAILS	F.A. RTE.	SECTION	COUNTY	TOTAL SHEETS	SHEET NO.
	PLOT SCALE = 28.0000' / IN.	DRAWN - ARA	REVISED -			08-00202-00-SW	COOK	118	36	
	PLOT DATE = 1/29/2010	CHECKED - M.J.F.	REVISED -			CONTRACT NO. - 63168				
		DATE - 5/28/09	REVISED -			FED. ROAD DIST. NO. ILLINOIS FED. AID PROJECT CMM-9003(116)				

63188