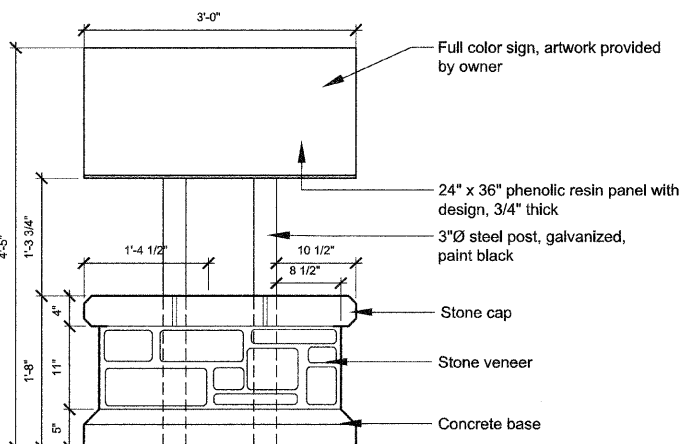
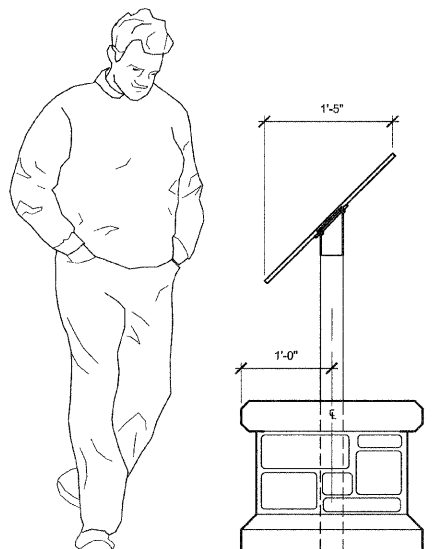


Plan View

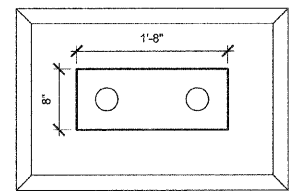


Front Elevation

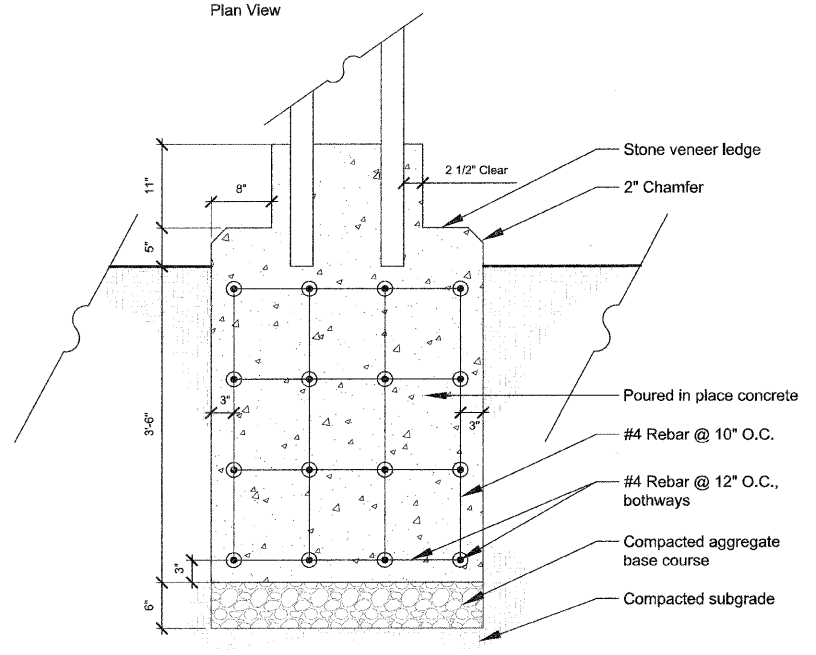


Side Elevation

1 Interpretive Trail Sign
Scale: 1" = 1'-0"

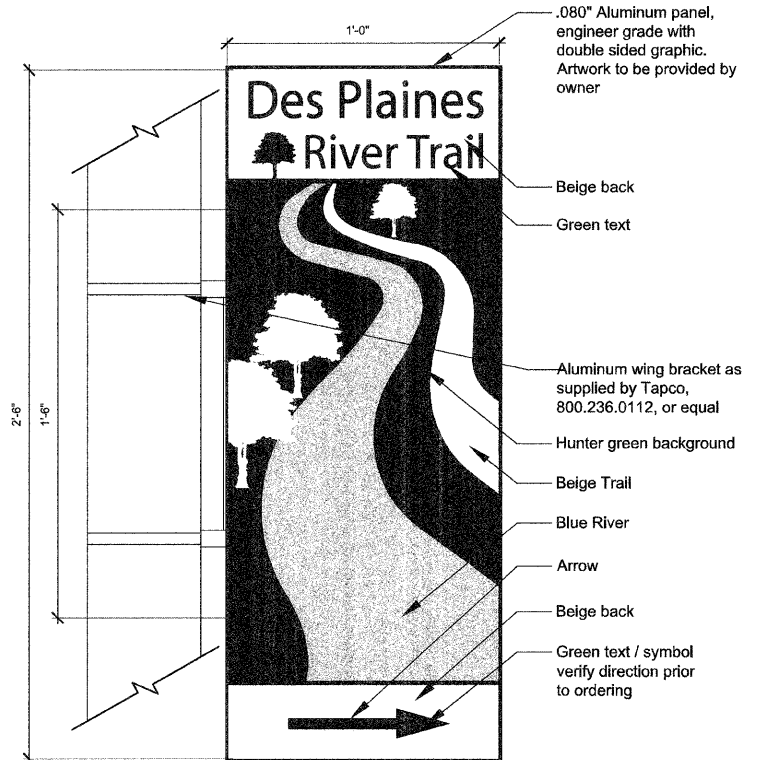


Plan View

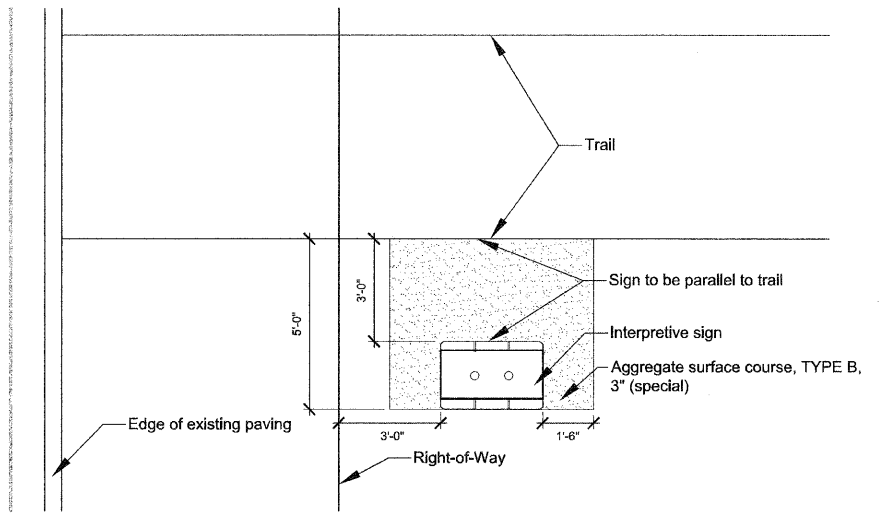


Front Section

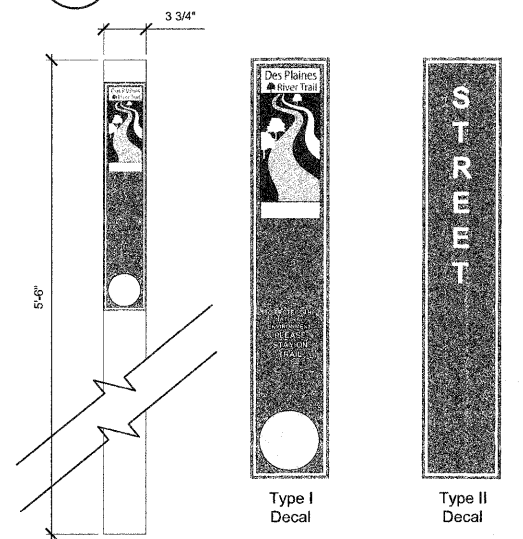
3 Interpretive Sign Foundation
Scale: 1" = 1'-0"



4 Wayfinding Sign - Street
Scale: 3" = 1'-0"

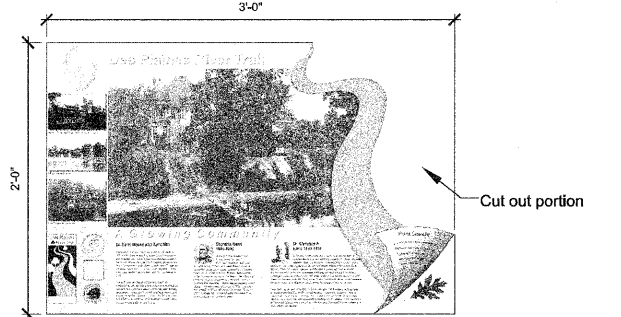


2 Interpretive Sign Placement Diagram
Scale: 3/8" = 1'-0"



5 Confidence Marker
Scale: 1 1/2" = 1'-0"

| Symbols Legend | |
|----------------|-------------------------|
| A | Des Plaines River Trail |
| 1 | Touhy Avenue |
| 2 | Talcott Road |
| 3 | Oakton Street |
| 4 | Algonquin Road |
| 5 | Rand Road |
| 6 | W. Ballard Road |
| 7 | Big Bend Lake |
| 8 | Golf Road |



6 Interpretive Sign Panel Example
Scale: 1 1/2" = 1'-0"