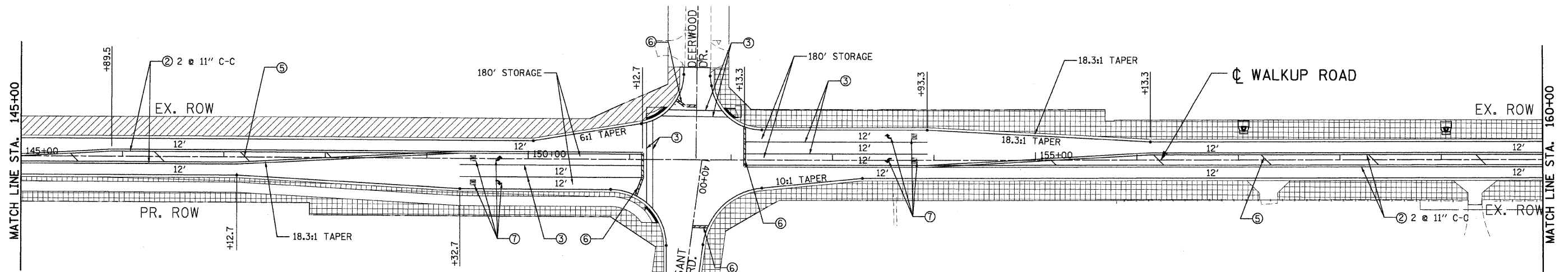
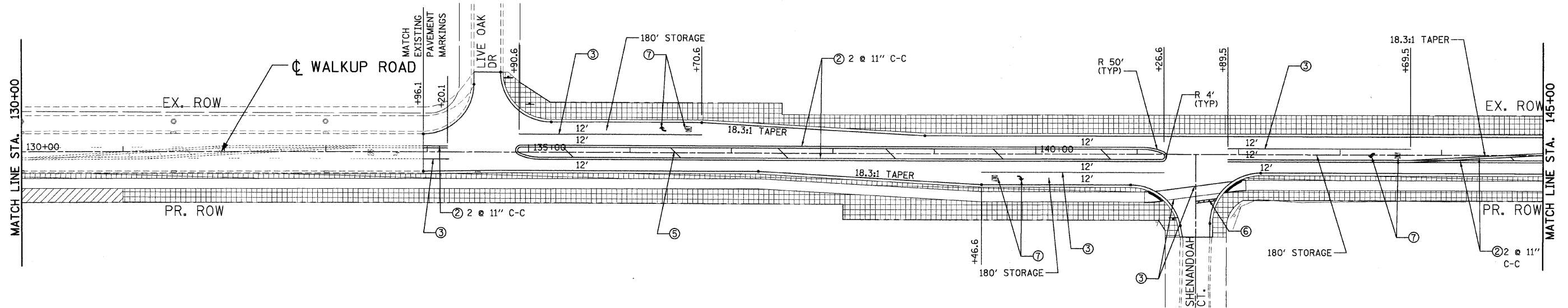


F.A.U. SECTION	COUNTY	TOTAL SHEETS	SHEET NO.
0085 00-00246-01-FP	MCHENRY	236	123
STA.	TO STA.		
FED. ROAD DIST. NO. 1 ILLINOIS FED. AID PROJECT			
CONTRACT NO: 63266			



LANDSCAPING LEGEND

- TOPSOIL PLACEMENT, 4" SEEDING CL 2A
- EROSION CONTROL BLANKET AND HEAVY DUTY EROSION CONTROL BLANKET (SEE DETAIL ON SHEET 120)
- SODDING SALT TOLERANT AND TURF REINFORCEMENT MAT (SEE DETAIL ON SHEET 120)
- SODDING, SALT TOLERANT

PAVEMENT MARKING LEGEND

- ① THERM PAVT MK LINE 4" (WHITE)
- ② THERM PAVT MK LINE 4" (YELLOW)
- ③ THERM PAVT MK LINE 6" (WHITE)
- ④ THERM PAVT MK LINE 12" (WHITE)
- ⑤ THERM PAVT MK LINE 12" (YELLOW)
- ⑥ THERM PAVT MK LINE 24" (WHITE)
- ⑦ THERM PAVT MK L&S

PAVEMENT MARKING TO FOLLOW IDOT D1 DETAIL TC-13.

REVISIONS	
NAME	DATE

MCHENRY COUNTY DIVISION OF TRANSPORTATION
WALKUP ROAD F.A.U. 0085

**PAVT MARKING & LANDSCAPING
STA 130+00 TO STA 160+00**

SCALE: 1" = 50'
DATE: 12/01/09
DRAWN BY: MZD
CHECKED BY: MCD

TENG
TENG & ASSOCIATES, INC.
ENGINEERS/ARCHITECTS/PLANNERS
208 N. MICHIGAN AVE., CHICAGO, IL 60601
TELEPHONE: 312/616-0000