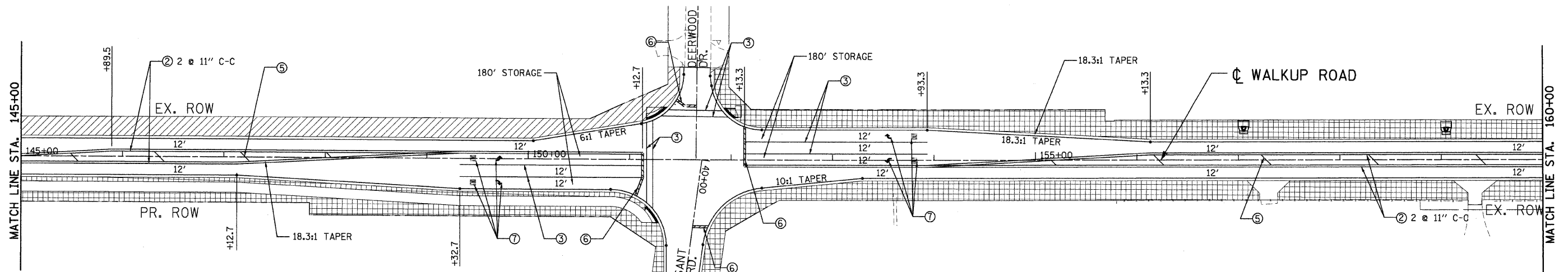
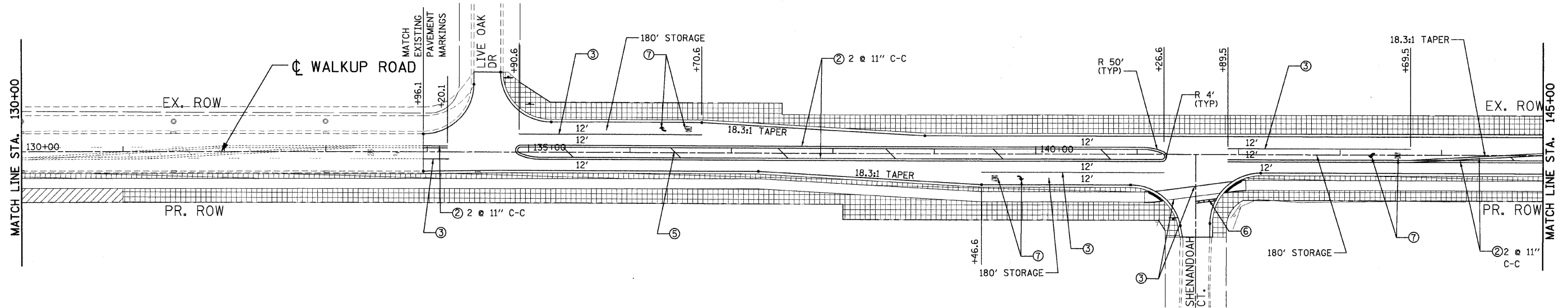


F.A.U. SECTION	COUNTY	TOTAL SHEETS	SHEET NO.
0085 00-00246-01-FP	MCHENRY	236	123
STA.	TO STA.		
FED. ROAD DIST. NO. 1	ILLINOIS	FED. AID PROJECT	
CONTRACT NO: 63266			



LANDSCAPING LEGEND

- TOPSOIL PLACEMENT, 4" SEEDING CL 2A
- EROSION CONTROL BLANKET AND HEAVY DUTY EROSION CONTROL BLANKET (SEE DETAIL ON SHEET 120)
- SODDING SALT TOLERANT AND TURF REINFORCEMENT MAT (SEE DETAIL ON SHEET 120)
- SODDING, SALT TOLERANT

PAVEMENT MARKING LEGEND

- ① THERM PAVT MK LINE 4" (WHITE)
- ② THERM PAVT MK LINE 4" (YELLOW)
- ③ THERM PAVT MK LINE 6" (WHITE)
- ④ THERM PAVT MK LINE 12" (WHITE)
- ⑤ THERM PAVT MK LINE 12" (YELLOW)
- ⑥ THERM PAVT MK LINE 24" (WHITE)
- ⑦ THERM PAVT MK L&S

PAVEMENT MARKING TO FOLLOW IDOT D1 DETAIL TC-13.

REVISIONS	
NAME	DATE

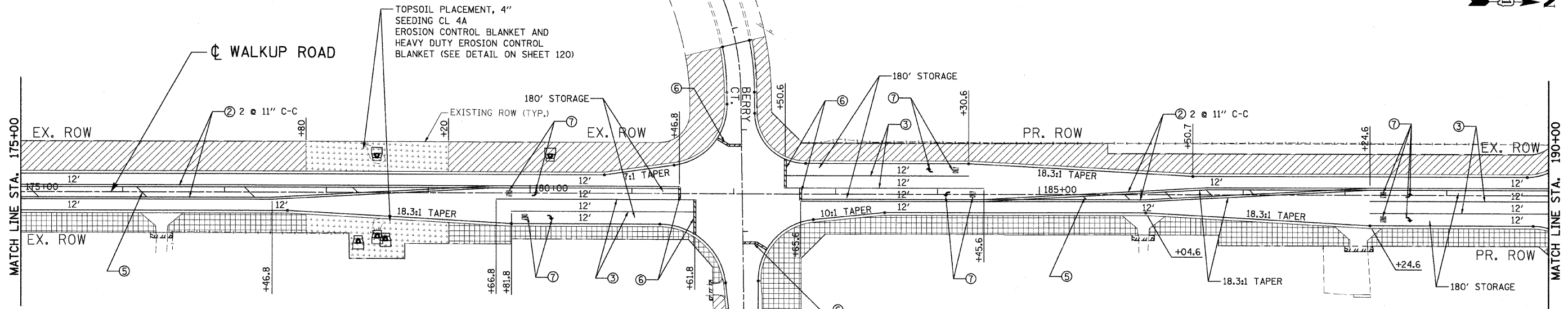
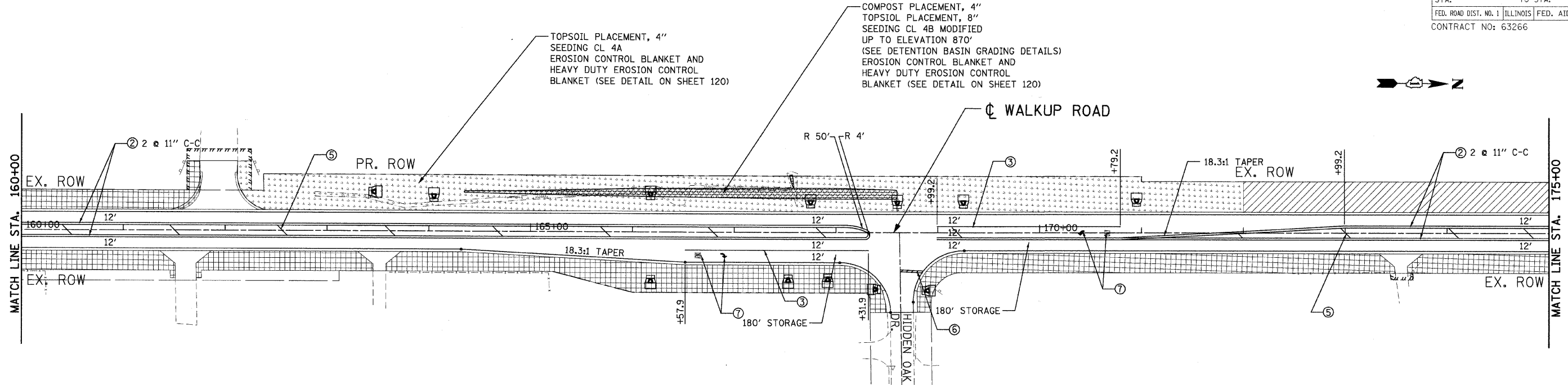
MCHENRY COUNTY DIVISION OF TRANSPORTATION
WALKUP ROAD F.A.U. 0085

**PAVT MARKING & LANDSCAPING
STA 130+00 TO STA 160+00**

SCALE: 1" = 50'
DATE: 12/01/09
DRAWN BY: MZD
CHECKED BY: MCD

TENG
TENG & ASSOCIATES, INC.
ENGINEERS/ARCHITECTS/PLANNERS
208 N. MICHIGAN AVE., CHICAGO, IL 60601
TELEPHONE: 312/616-0000

F.A.U. SECTION	COUNTY	TOTAL SHEETS	SHEET NO.
0085 00-00246-01-FP	MCHENRY	236	124
STA.	TO STA.		
FED. ROAD DIST. NO. 1	ILLINOIS	FED. AID PROJECT	
CONTRACT NO: 63266			



LANDSCAPING LEGEND

- TOPSOIL PLACEMENT, 4" SEEDING CL 2A EROSION CONTROL BLANKET AND HEAVY DUTY EROSION CONTROL BLANKET (SEE DETAIL ON SHEET 120)
- SODDING SALT TOLERANT AND TURF REINFORCEMENT MAT (SEE DETAIL ON SHEET 120)
- SODDING, SALT TOLERANT

PAVEMENT MARKING LEGEND

- ① THERM PAVT MK LINE 4" (WHITE)
- ② THERM PAVT MK LINE 4" (YELLOW)
- ③ THERM PAVT MK LINE 6" (WHITE)
- ④ THERM PAVT MK LINE 12" (WHITE)
- ⑤ THERM PAVT MK LINE 12" (YELLOW)
- ⑥ THERM PAVT MK LINE 24" (WHITE)
- ⑦ THERM PAVT MK L&S

PAVEMENT MARKING TO FOLLOW IDOT D1 DETAIL TC-13.

REVISIONS	
NAME	DATE

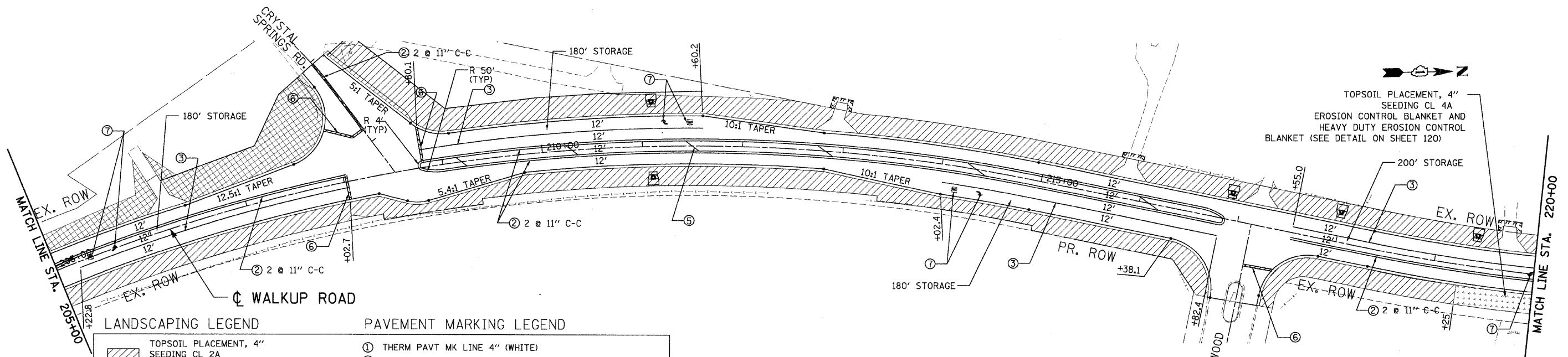
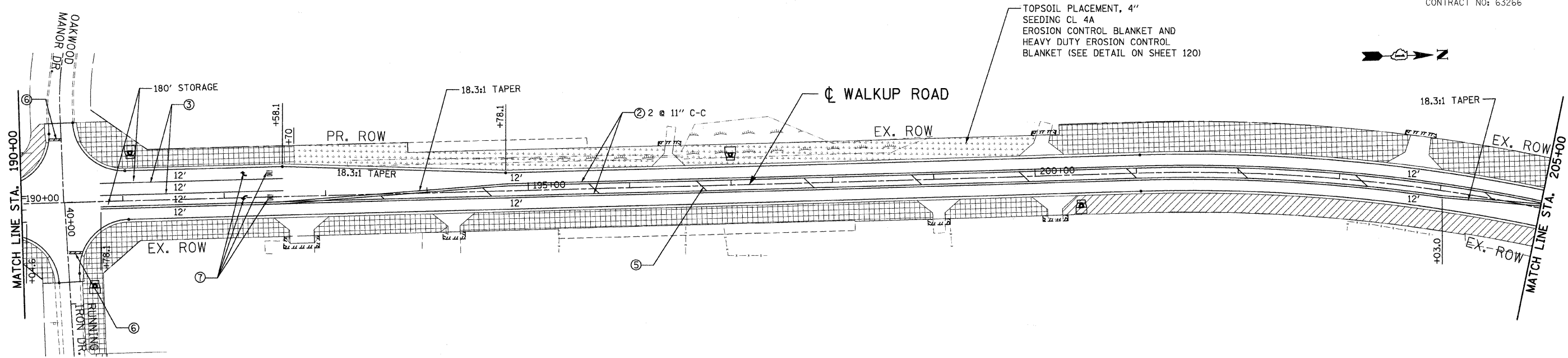
MCHENRY COUNTY DIVISION OF TRANSPORTATION
WALKUP ROAD F.A.U. 0085

PAVT MARKING & LANDSCAPING
WALKUP ROAD
STA 160+00 TO STA 190+00

SCALE: 1" = 50'
DATE: 12/01/09
DRAWN BY: MZD
CHECKED BY: MCD

TENG
TENG & ASSOCIATES, INC.
ENGINEERS/ARCHITECTS/PLANNERS
709 N. MICHIGAN AVE., CHICAGO, IL 60611
TELEPHONE: 312/616-0000

F.A.U. NO.	SECTION	COUNTY	TOTAL SHEETS	SHEET NO.
0085	00-00246-01-FP	MCHENRY	236	125
STA.	TO STA.			
FED. ROAD DIST. NO. 1		ILLINOIS	FED. AID PROJECT	
CONTRACT NO: 63266				



LANDSCAPING LEGEND		PAVEMENT MARKING LEGEND	
	TOPSOIL PLACEMENT, 4" SEEDING CL 2A EROSION CONTROL BLANKET AND HEAVY DUTY EROSION CONTROL BLANKET (SEE DETAIL ON SHEET 120)	①	THERM PAVT MK LINE 4" (WHITE)
	SODDING, SALT TOLERANT	②	THERM PAVT MK LINE 4" (YELLOW)
	SODDING, SALT TOLERANT AND TURF REINFORCEMENT MAT (SEE DETAIL ON SHEET 120)	③	THERM PAVT MK LINE 6" (WHITE)
		④	THERM PAVT MK LINE 12" (WHITE)
		⑤	THERM PAVT MK LINE 12" (YELLOW)
		⑥	THERM PAVT MK LINE 24" (WHITE)
		⑦	THERM PAVT MK L&S

PAVEMENT MARKING TO FOLLOW IDOT D1 DETAIL TC-13.

REVISIONS	
NAME	DATE

MCHENRY COUNTY DIVISION OF TRANSPORTATION
WALKUP ROAD F.A.U. 0085

**PAVT MARKING & LANDSCAPING
WALKUP ROAD
STA 190+00 TO STA 220+00**

SCALE: 1" = 50' DRAWN BY: MZD
DATE: 12/01/09 CHECKED BY: MCD

TENG
TENG & ASSOCIATES, INC.
ENGINEERS/ARCHITECTS/PLANNERS
208 N. MICHIGAN AVE., CHICAGO, IL 60601
TELEPHONE: 312/616-0000

\AL\TODD\PROJECTS\080503\WALKUP\DWG\080503-01-FP\080503-01-FP-01.DWG
 \AL\TODD\PROJECTS\080503\WALKUP\DWG\080503-01-FP\080503-01-FP-02.DWG
 \AL\TODD\PROJECTS\080503\WALKUP\DWG\080503-01-FP\080503-01-FP-03.DWG
 \AL\TODD\PROJECTS\080503\WALKUP\DWG\080503-01-FP\080503-01-FP-04.DWG
 \AL\TODD\PROJECTS\080503\WALKUP\DWG\080503-01-FP\080503-01-FP-05.DWG
 \AL\TODD\PROJECTS\080503\WALKUP\DWG\080503-01-FP\080503-01-FP-06.DWG
 \AL\TODD\PROJECTS\080503\WALKUP\DWG\080503-01-FP\080503-01-FP-07.DWG
 \AL\TODD\PROJECTS\080503\WALKUP\DWG\080503-01-FP\080503-01-FP-08.DWG
 \AL\TODD\PROJECTS\080503\WALKUP\DWG\080503-01-FP\080503-01-FP-09.DWG
 \AL\TODD\PROJECTS\080503\WALKUP\DWG\080503-01-FP\080503-01-FP-10.DWG
 \AL\TODD\PROJECTS\080503\WALKUP\DWG\080503-01-FP\080503-01-FP-11.DWG
 \AL\TODD\PROJECTS\080503\WALKUP\DWG\080503-01-FP\080503-01-FP-12.DWG
 \AL\TODD\PROJECTS\080503\WALKUP\DWG\080503-01-FP\080503-01-FP-13.DWG
 \AL\TODD\PROJECTS\080503\WALKUP\DWG\080503-01-FP\080503-01-FP-14.DWG
 \AL\TODD\PROJECTS\080503\WALKUP\DWG\080503-01-FP\080503-01-FP-15.DWG
 \AL\TODD\PROJECTS\080503\WALKUP\DWG\080503-01-FP\080503-01-FP-16.DWG
 \AL\TODD\PROJECTS\080503\WALKUP\DWG\080503-01-FP\080503-01-FP-17.DWG
 \AL\TODD\PROJECTS\080503\WALKUP\DWG\080503-01-FP\080503-01-FP-18.DWG
 \AL\TODD\PROJECTS\080503\WALKUP\DWG\080503-01-FP\080503-01-FP-19.DWG
 \AL\TODD\PROJECTS\080503\WALKUP\DWG\080503-01-FP\080503-01-FP-20.DWG
 \AL\TODD\PROJECTS\080503\WALKUP\DWG\080503-01-FP\080503-01-FP-21.DWG
 \AL\TODD\PROJECTS\080503\WALKUP\DWG\080503-01-FP\080503-01-FP-22.DWG
 \AL\TODD\PROJECTS\080503\WALKUP\DWG\080503-01-FP\080503-01-FP-23.DWG
 \AL\TODD\PROJECTS\080503\WALKUP\DWG\080503-01-FP\080503-01-FP-24.DWG
 \AL\TODD\PROJECTS\080503\WALKUP\DWG\080503-01-FP\080503-01-FP-25.DWG
 \AL\TODD\PROJECTS\080503\WALKUP\DWG\080503-01-FP\080503-01-FP-26.DWG
 \AL\TODD\PROJECTS\080503\WALKUP\DWG\080503-01-FP\080503-01-FP-27.DWG
 \AL\TODD\PROJECTS\080503\WALKUP\DWG\080503-01-FP\080503-01-FP-28.DWG
 \AL\TODD\PROJECTS\080503\WALKUP\DWG\080503-01-FP\080503-01-FP-29.DWG
 \AL\TODD\PROJECTS\080503\WALKUP\DWG\080503-01-FP\080503-01-FP-30.DWG
 \AL\TODD\PROJECTS\080503\WALKUP\DWG\080503-01-FP\080503-01-FP-31.DWG
 \AL\TODD\PROJECTS\080503\WALKUP\DWG\080503-01-FP\080503-01-FP-32.DWG
 \AL\TODD\PROJECTS\080503\WALKUP\DWG\080503-01-FP\080503-01-FP-33.DWG
 \AL\TODD\PROJECTS\080503\WALKUP\DWG\080503-01-FP\080503-01-FP-34.DWG
 \AL\TODD\PROJECTS\080503\WALKUP\DWG\080503-01-FP\080503-01-FP-35.DWG
 \AL\TODD\PROJECTS\080503\WALKUP\DWG\080503-01-FP\080503-01-FP-36.DWG
 \AL\TODD\PROJECTS\080503\WALKUP\DWG\080503-01-FP\080503-01-FP-37.DWG
 \AL\TODD\PROJECTS\080503\WALKUP\DWG\080503-01-FP\080503-01-FP-38.DWG
 \AL\TODD\PROJECTS\080503\WALKUP\DWG\080503-01-FP\080503-01-FP-39.DWG
 \AL\TODD\PROJECTS\080503\WALKUP\DWG\080503-01-FP\080503-01-FP-40.DWG
 \AL\TODD\PROJECTS\080503\WALKUP\DWG\080503-01-FP\080503-01-FP-41.DWG
 \AL\TODD\PROJECTS\080503\WALKUP\DWG\080503-01-FP\080503-01-FP-42.DWG
 \AL\TODD\PROJECTS\080503\WALKUP\DWG\080503-01-FP\080503-01-FP-43.DWG
 \AL\TODD\PROJECTS\080503\WALKUP\DWG\080503-01-FP\080503-01-FP-44.DWG
 \AL\TODD\PROJECTS\080503\WALKUP\DWG\080503-01-FP\080503-01-FP-45.DWG
 \AL\TODD\PROJECTS\080503\WALKUP\DWG\080503-01-FP\080503-01-FP-46.DWG
 \AL\TODD\PROJECTS\080503\WALKUP\DWG\080503-01-FP\080503-01-FP-47.DWG
 \AL\TODD\PROJECTS\080503\WALKUP\DWG\080503-01-FP\080503-01-FP-48.DWG
 \AL\TODD\PROJECTS\080503\WALKUP\DWG\080503-01-FP\080503-01-FP-49.DWG
 \AL\TODD\PROJECTS\080503\WALKUP\DWG\080503-01-FP\080503-01-FP-50.DWG
 \AL\TODD\PROJECTS\080503\WALKUP\DWG\080503-01-FP\080503-01-FP-51.DWG
 \AL\TODD\PROJECTS\080503\WALKUP\DWG\080503-01-FP\080503-01-FP-52.DWG
 \AL\TODD\PROJECTS\080503\WALKUP\DWG\080503-01-FP\080503-01-FP-53.DWG
 \AL\TODD\PROJECTS\080503\WALKUP\DWG\080503-01-FP\080503-01-FP-54.DWG
 \AL\TODD\PROJECTS\080503\WALKUP\DWG\080503-01-FP\080503-01-FP-55.DWG
 \AL\TODD\PROJECTS\080503\WALKUP\DWG\080503-01-FP\080503-01-FP-56.DWG
 \AL\TODD\PROJECTS\080503\WALKUP\DWG\080503-01-FP\080503-01-FP-57.DWG
 \AL\TODD\PROJECTS\080503\WALKUP\DWG\080503-01-FP\080503-01-FP-58.DWG
 \AL\TODD\PROJECTS\080503\WALKUP\DWG\080503-01-FP\080503-01-FP-59.DWG
 \AL\TODD\PROJECTS\080503\WALKUP\DWG\080503-01-FP\080503-01-FP-60.DWG

OBA
O'BRIEN & ASSOCIATES, INC.
CONSULTING ENGINEERS
 1230 E. DAVIS ST./ARLINGTON HTS., IL 60005
 (630) 398-1444 • FAX (630) 398-2275

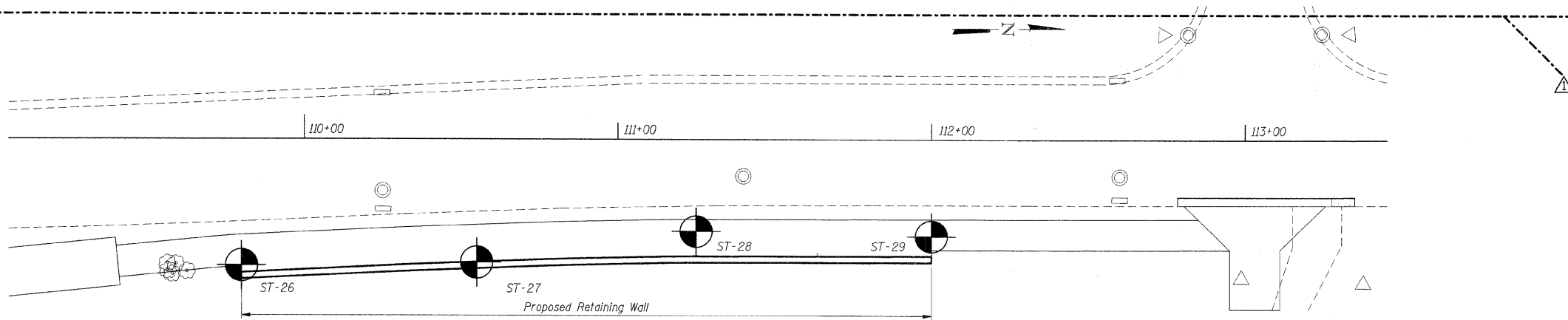
**STRUCTURE FOUNDATION
BORING LOG**

Page: 1 of 1

Project: McHenry County Walkup Road Phase II; Retaining Wall/Bike Path OBA Job No.: 09587
 Teng Job No: 19-3100-03 Date: Sept. 1, 2009
 County: McHenry Bored By: MR
 Client: Teng & Associates, Inc. Checked By: DOB

DEPTH (ft)	BLOW COUNT	UCS (ksf)	MOIST (%)	Surface Water Elev.: <u>NA</u>	DEPTH (ft)	BLOW COUNT	UCS (ksf)	MOIST (%)
0					0			
2					9			
4	3,75P	14			11			
4					12	2.25P	11	
3		100			12			
3	0.9S				11			
3	0.10%	24			9	1.75P	18	
8								
1		100						
3	0.4B	26						
8								
15								
10	NP	4						
7								
7								
6	NP	9						
7								
10								
15	NP	13						
10								
24								
20	NP	14						
7								
10								
20	NP	9						
12								
6								
11	NP	10						
15								
10								
25	NP	5						

The Unconfined Compressive Strength (UCS) Failure Mode is indicated by (B-Bulge, S-Shear, P-Penetration) ST-Shelby Tube Sample VS-Vane Shear Test
 The SPT (N value) is the sum of the last two blow values in each sampling zone (AASHTO T208) The Unit Dry Weight (pcf) is noted in italics above moist (%)
 NR-No Recovery



SHT. SD-6

REVISIONS	
NAME	DATE

MCHENRY COUNTY DIVISION OF TRANSPORTATION
 WALKUP ROAD F.A.U. 0085
 SECTION 00-00246-01-FP
 STATION 109+80.00 TO 112+00.00
 RETAINING WALL

SOIL BORING LOGS II

SCALE: _____ DRAWN BY: TCG
 DATE: 12/01/09 CHECKED BY: _____

TENG ENGINEERS ARCHITECTS/PLANNERS
 205 N. MICHIGAN AVE., CHICAGO, IL 60601
 TELEPHONE: 312/616-0000