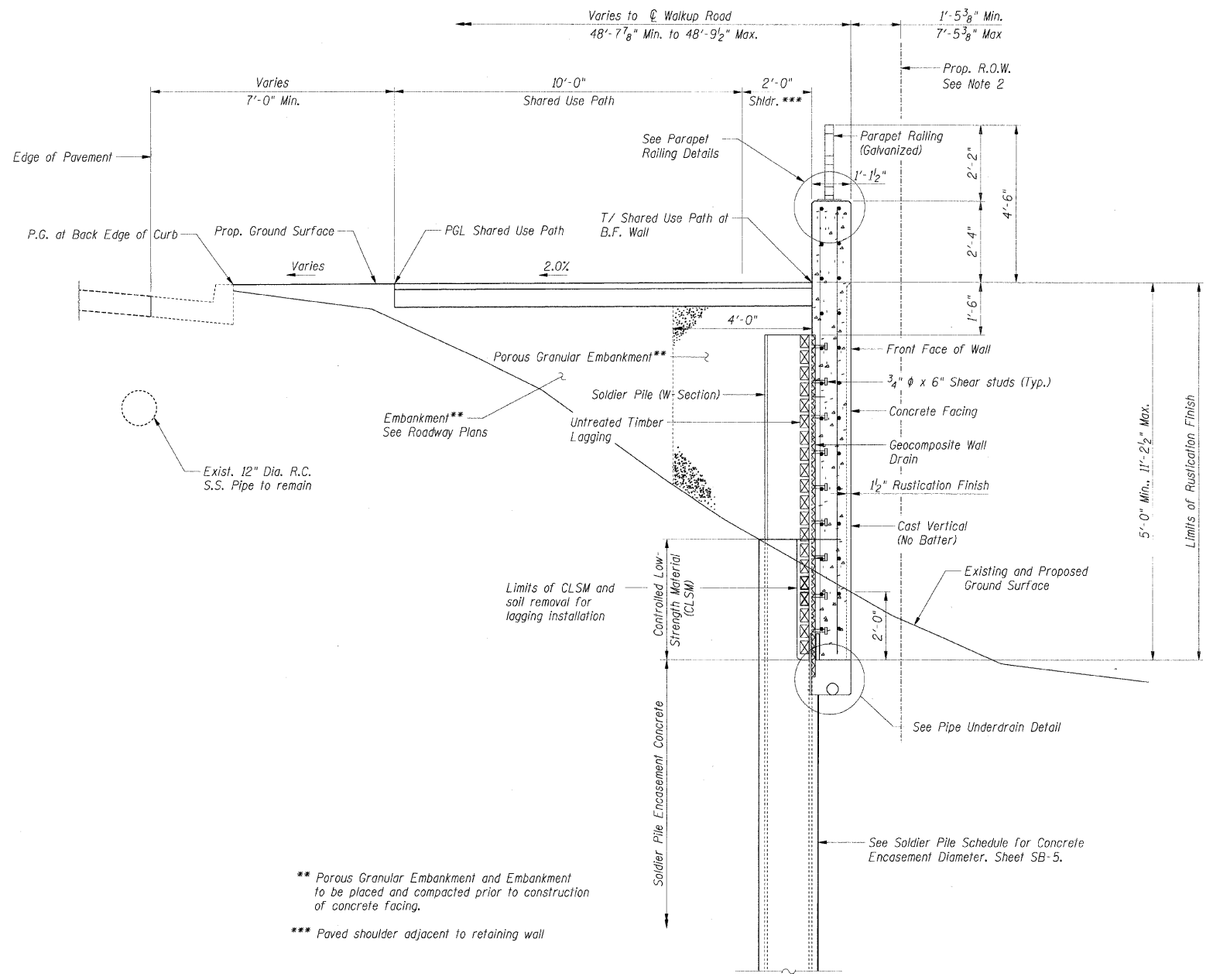
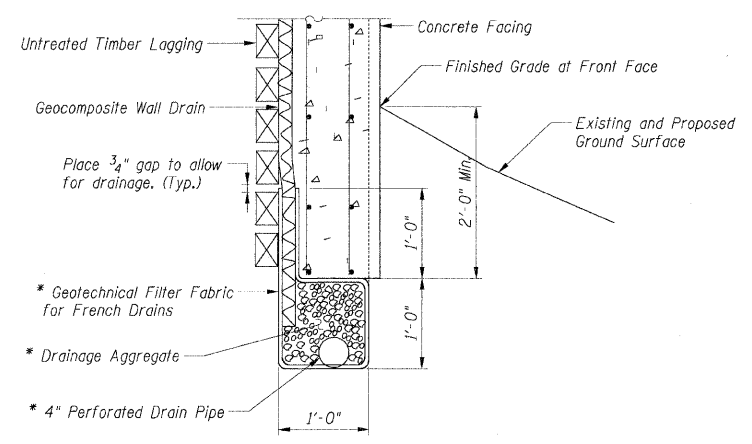


F.A.U. RT.E.	SECTION	COUNTY	TOTAL SHEETS	SHEET NO.
0085	00-00246-01-FP	MCHENRY	236	157
STA. 92+30.00 TO STA. 95+10.00				
FED. ROAD DIST. NO. 1 ILLINOIS FED. AID PROJECT				
CONTRACT NO: 63266				



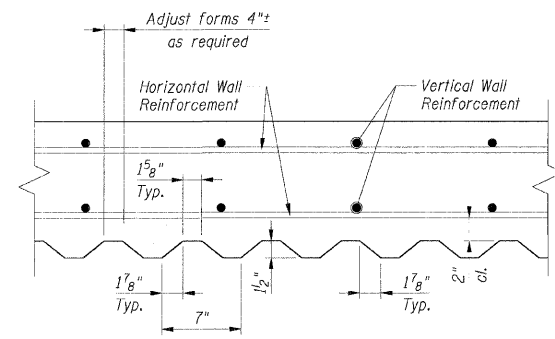
TYPICAL SECTION

** Porous Granular Embankment and Embankment to be placed and compacted prior to construction of concrete facing.
 *** Paved shoulder adjacent to retaining wall

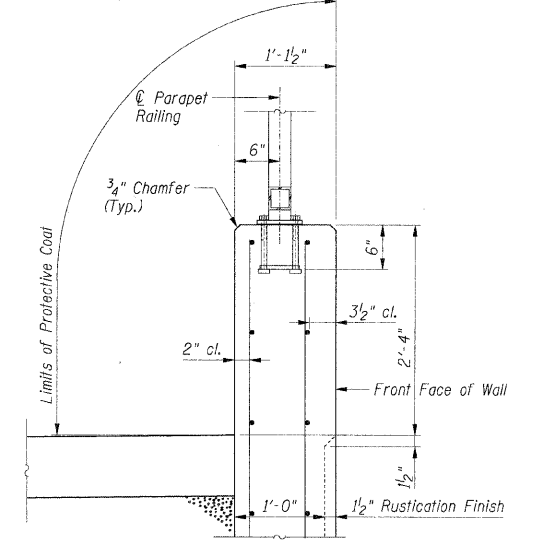


PIPE UNDERDRAIN DETAIL
 (Between soldier piles shown, at piles similar)

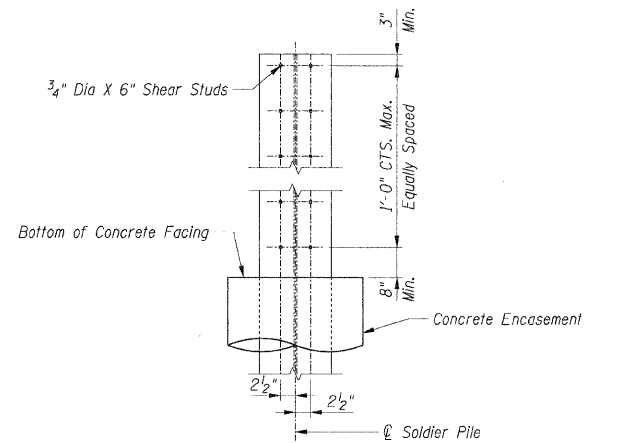
* Included in the cost of Pipe Underdrains for Structures 4".



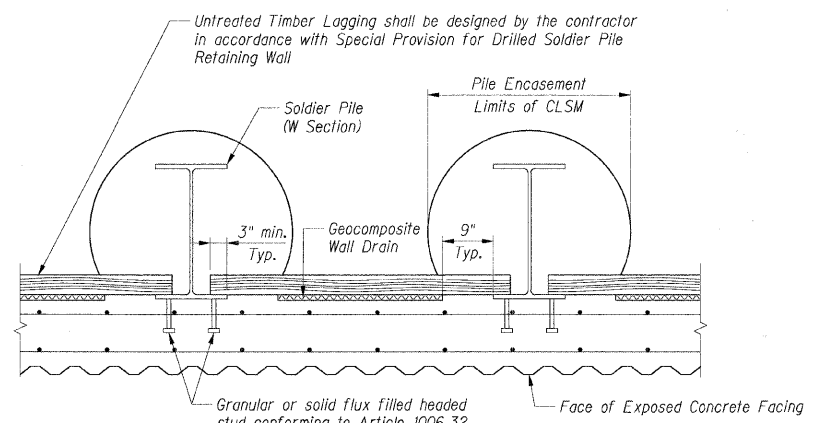
RUSTICATION DETAIL



PARAPET RAILING DETAIL



SHEAR STUD CONNECTION DETAIL



SECTION THRU SOLDIER PILE WALL

- NOTES:
1. Work this sheet with sheets SB-2 thru SB-6
 2. Horizontal dimensions for Structure Excavation will not extend beyond the proposed R.O.W. or as specified in the Standard Specifications.

SHT. SB-4

REVISIONS	
NAME	DATE

MCHENRY COUNTY DIVISION OF TRANSPORTATION
 WALKUP ROAD F.A.U. 0085
 SECTION 00-00246-01-FP
 STATION 92+30.00 TO 95+10.00
 RETAINING WALL

SCALE: DATE: 08/17/09

DRAWN BY: MKD
 CHECKED BY: ICG

TENG
 TENG & ASSOCIATES, INC.
 ENGINEERS/ARCHITECTS/PLANNERS
 205 N. WICHITAN AVE. CHICAGO, IL 60601
 TELEPHONE: 312/616-0200

STAMBUJ
 \N:\TBO020\F.DGN...A010070.DGN...A010070.DGN
 T:\DOCUMENTS\930003\STRUCT\WALKUP\0070.DGN
 8/14/2009, 5:00:55