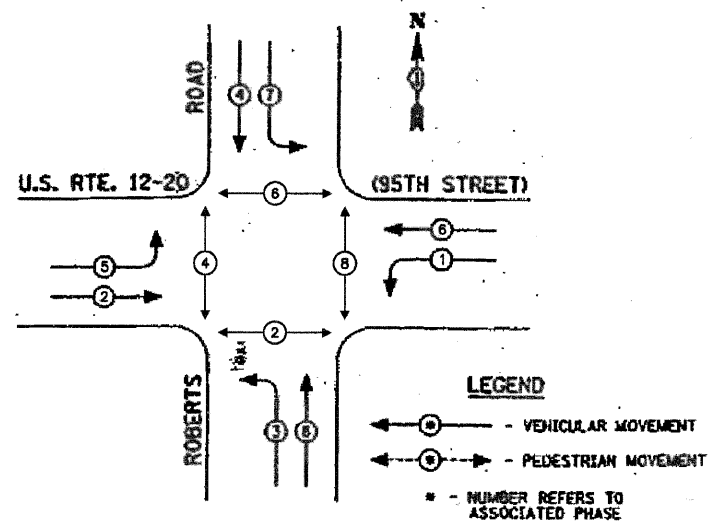


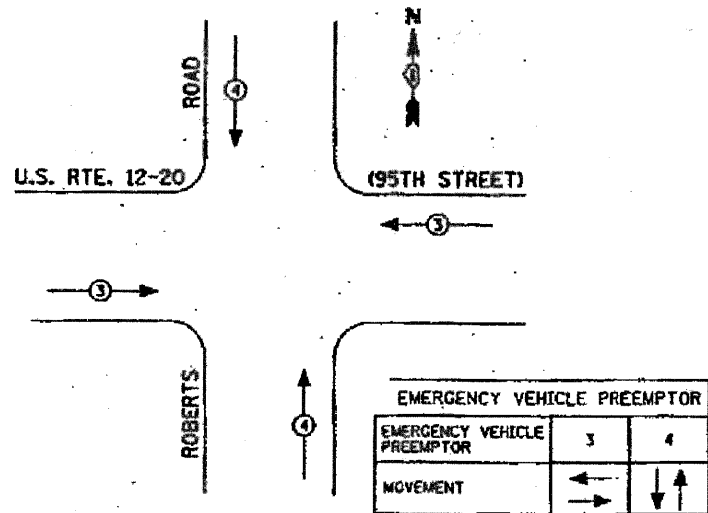
U.S. RTE 12-20 (95TH ST.) & ROBERTS RD.

CONTROLLER SEQUENCE



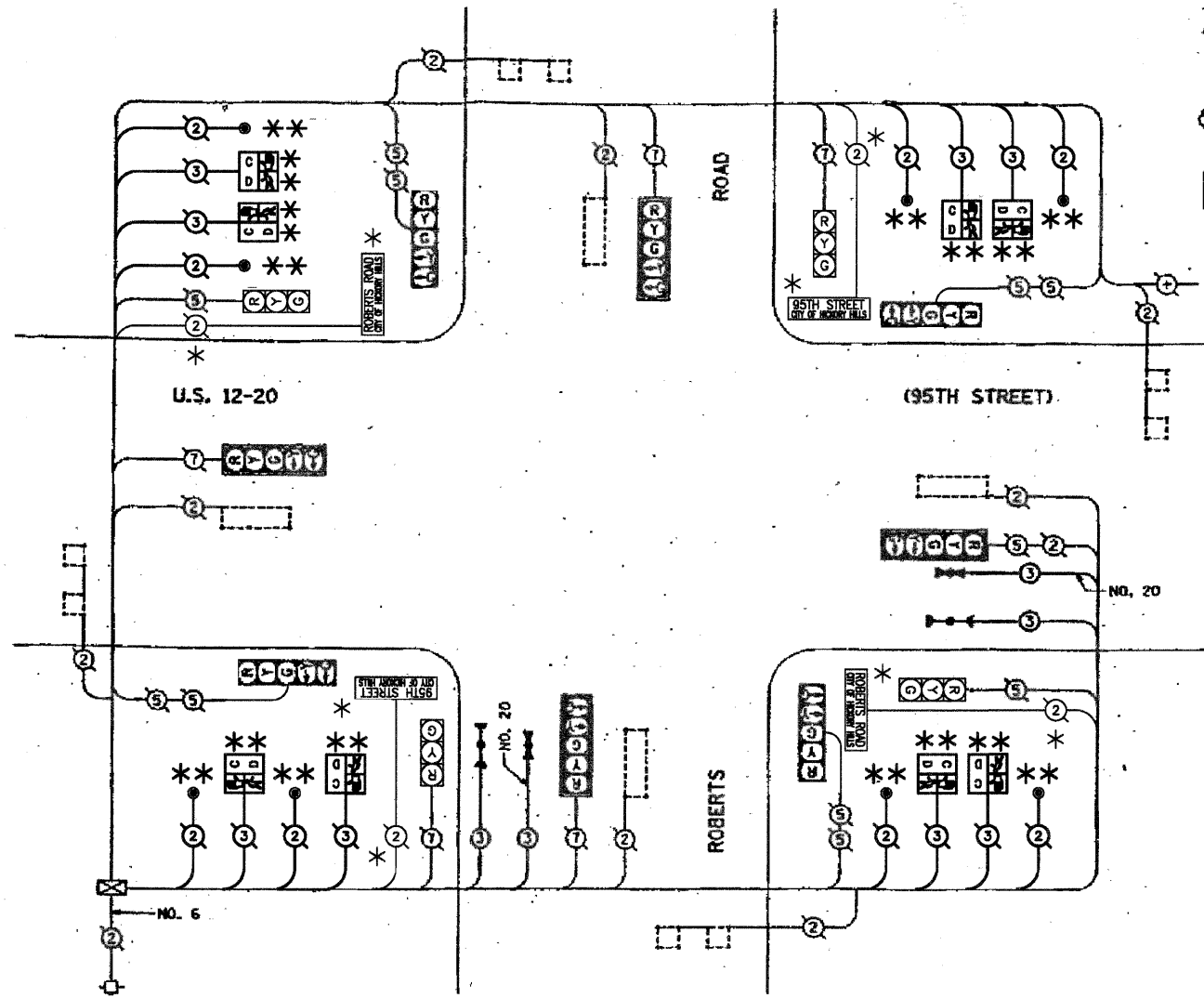
EXISTING PHASE DESIGNATION DIAGRAM

EMERGENCY VEHICLE PREEMPTOR SEQUENCE



* I.D.O.T. TRAFFIC SIGNAL INSTALLATION ELECTRICAL SERVICE REQUIREMENTS

TYPE	NO. LAMPS	WATTAGE		% OPERATION	TOTAL WATTAGE
		INCAND.	LED		
SIGNAL (RED)	16	135		0.50	1080
SIGNAL (YELLOW)	16	135		0.25	540
SIGNAL (GREEN)	16	135		0.25	540
ARROW	16	135		0.10	216
PEDS	8		25	1.00	200
ILLUMINATED SIGN	4		20	0.50	40
CONTROLLER	1	100		1.00	100
FLASHER					
TOTAL					2726



SCHEDULE OF QUANTITIES

PAN ITEM NUMBER	ITEM	UNIT	QUANTITY
81018500	CONDUIT PUSHED, 2" DIA. GALVANIZED STEEL	FOOT	110
82401220	ELECTRIC CABLE IN CONDUIT, SIGNAL, NO. 14 3C	FOOT	284
83900200	DRILL EXISTING MANHOLE	EACH	2
85200100	LIGHT TRANSMITTER	EACH	2
85200200	LIGHT DETECTOR	EACH	2
85200300	LIGHT DETECTOR AMPLIFIER	EACH	1
X8240250	ELECTRIC CABLE IN CONDUIT, NO. 20, 3C, TWISTED, SHIELDED	FOOT	284
XX002295	TRAFFIC CONTROL AND PROTECTION, STANDARD T01701	EACH	1

SCHEDULE OF QUANTITIES

ITEM	UNIT	QUAN
MAINTENANCE OF EXISTING TRAFFIC SIGNAL INSTALLATION	EACH	1
PEDESTRIAN PUSH-BUTTON	EACH	8
PEDESTRIAN SIGNAL HEAD, L.E.D., 2-FACE, BRACKET MOUNTED WITH COUNTDOWN TIMER	EACH	4
REMOVE EXISTING TRAFFIC SIGNAL EQUIPMENT	EACH	1
ELECTRIC CABLE IN CONDUIT, SIGNAL NO. 14 2C	FOOT	705
MODIFY EXISTING CONTROLLER	EACH	1

~~**SCHEDULE OF QUANTITIES**~~

ITEM	UNIT	QUAN
INTERNALLY ILLUMINATED STREET NAME SIGN, 1 FACE	EACH	4
ELECTRIC CABLE IN CONDUIT, SIGNAL NO. 14 5/8	FOOT	790
MAINTENANCE OF EXISTING TRAFFIC SIGNAL	EACH	1
MODIFY EXISTING TRAFFIC SIGNAL CONTROL CABINET	EACH	1
CONDUIT PUSHED, 2" DIA., GALVANIZED STEEL	FOOT	918

REVISIONS

NAME	DATE
Revis	7/6
ADD L.E.D. ILLUMINATED	2/28/09
STREET SIGNS	
UPGRADE PED HEADS	12/14/09
W/ COUNTDOWN TIMERS	

