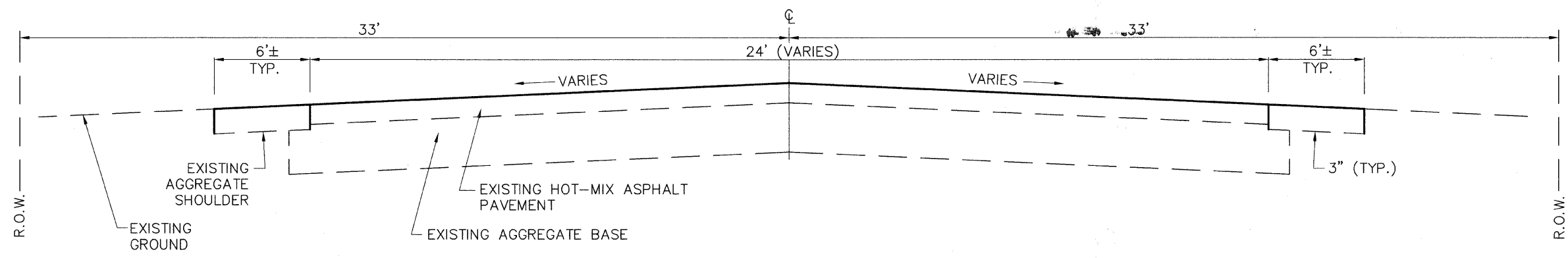
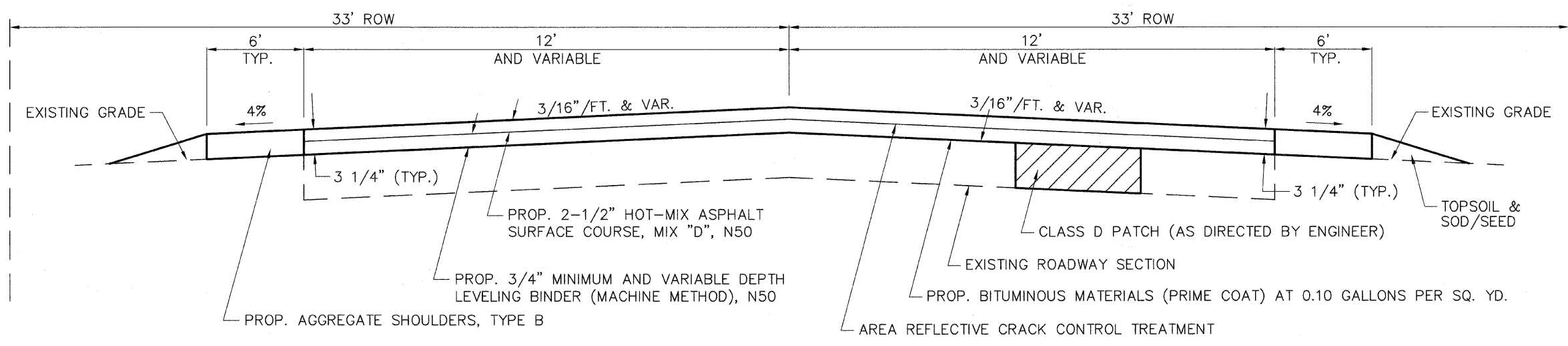


F.A.U. RTE.	SECTION	COUNTY	TOTAL SHEETS	SHEET NO.
2967	09-00018-00-RS	WILL	10	4
STA.		TO STA.		
ARA-9003 (431)		ILLINOIS	FED. AID PROJECT	
CONTRACT NO. 63328				



EXISTING TYPICAL SECTION
 STA 9+50 TO STA 62+22, UNIVERSITY PARKWAY
 N.T.S.



PROPOSED TYPICAL SECTION
 STA 10+40 TO STA 61+70, UNIVERSITY PARKWAY
 N.T.S.

HOT-MIX ASPHALT MIXTURE REQUIREMENTS

LOCATION	MIXTURE TYPE	AIR VOIDS
PAVEMENT	HOT-MIX ASPHALT SURFACE COURSE, MIX "D", N50 (IL 9.5mm), 2-1/2"	4% @ 50 Gyr.
PAVEMENT	LEVELING BINDER (MACHINE METHOD), N50, 3/4"	4% @ 50 Gyr.
PATCHING	CLASS D PATCHES (HMA BINDER IL-19mm)	4% @ 70 Gyr.

THE UNIT WEIGHT USED TO CALCULATE ALL HMA SURFACE MIXTURE QUANTITIES IS 112 LBS/SQ YD/IN. CONTRACTOR SHALL MILL PRIOR TO PATCHING

THE "AC TYPE" FOR POLYMERIZED HMA MIXES SHALL BE "SBS/SBR PG 70 -22" AND FOR NON-POLYMERIZED HMA THE "AC TYPE" SHALL BE "PG 64 -22" UNLESS MODIFIED BY DISTRICT ONE SPECIAL PROVISIONS. FOR "PERCENT OF RAP" SEE DISTRICT ONE SPECIAL PROVISIONS.



REVISIONS	
NAME	DATE

VILLAGE OF UNIVERSITY PARK
 UNIVERSITY PARK, IL
 UNIVERSITY PARKWAY RESURFACING
 CRAWFORD AVENUE TO STEGER-MONEE ROAD

TYPICAL SECTION

SCALE: VERT. NA
 HORIZ. NA
 DATE: OCTOBER, 2009

DRAWN BY: CMH
 CHECKED BY: JSK