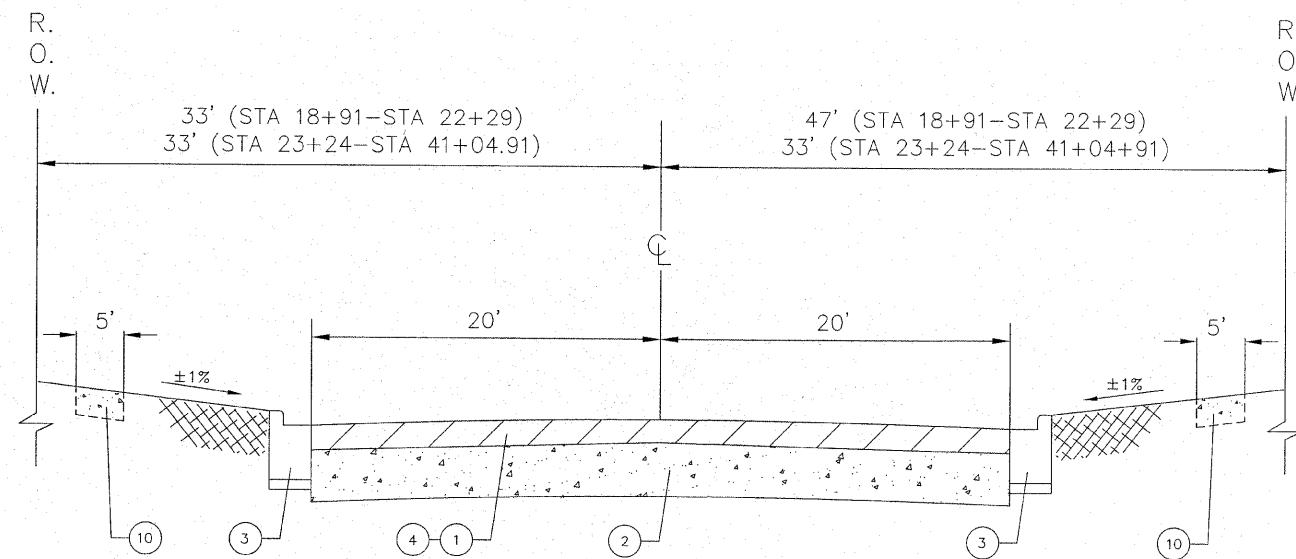
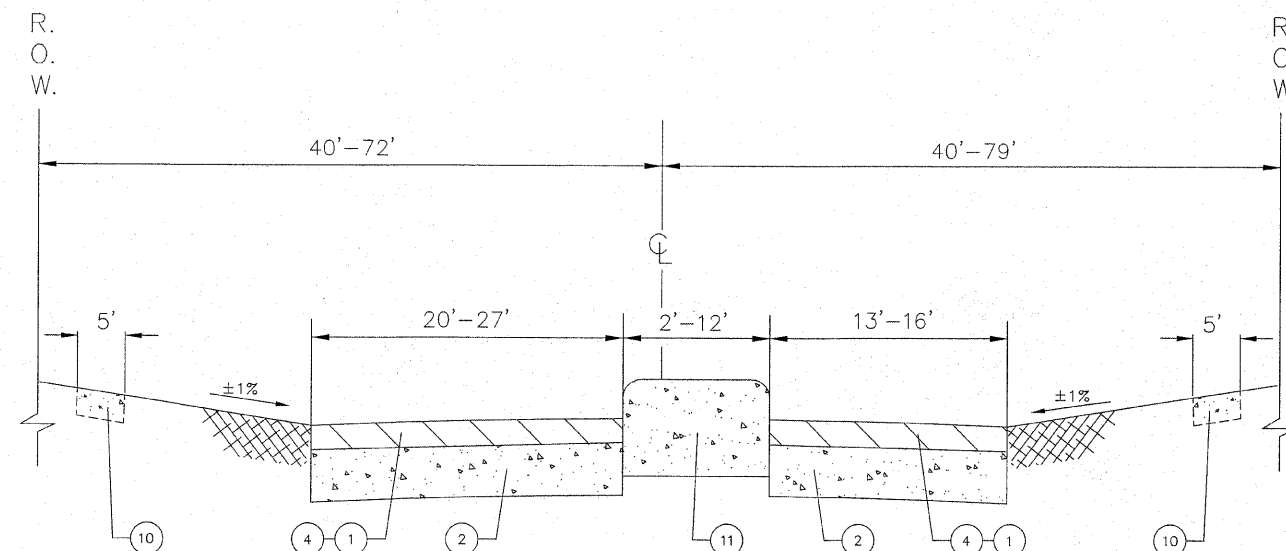


- 1 EX. HMA SURFACE, 4"
- 2 EX. CONCRETE BASE, ±8"
- 3 EX. CURB & GUTTER, TY B6.24
- 4 PROPOSED HOT-MIX ASPHALT SURFACE REMOVAL, 4"
- 5 PROP. HOT-MIX ASPHALT SURF. CSE, MIX 'C', N50, 1 1/2"
- 6 PROP. HOT-MIX ASPHALT BINDER CSE, IL-19.0, N50, 2 1/2"
- 7 CLASS 'B' PATCHES, TYPE II, 8"
- 8 AREA REFLECTIVE CRACK CONTROL TREATMENT
- 9 COMB. CURB & GUTTER REPLACEMENT (WHERE MARKED IN FIELD)
- 10 EXISTING P.C.C. SIDEWALK, 5"
- 11 EXISTING CONCRETE MEDIAN
- 12 PROPOSED P.C.C. SIDEWALK, 5"

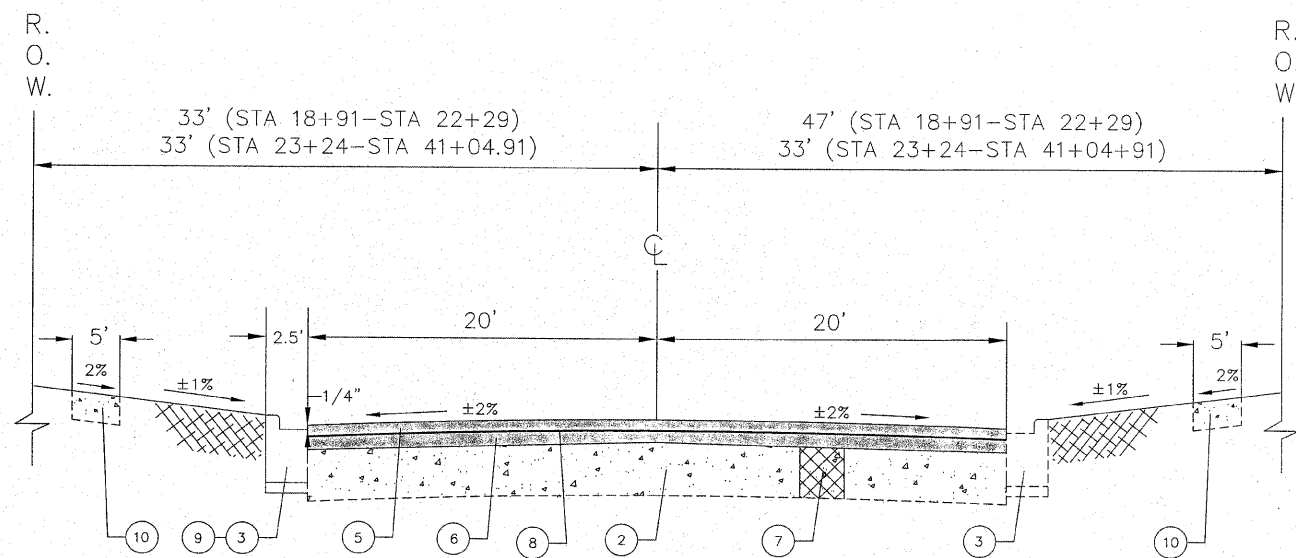
FAU RTE.	SECTION	COUNTY	TOTAL SHEETS	SHEET NO.
3598	09-00020-00-RS	COOK	13	4
STA. 14+16.89		TO STA. 41+04.91		
FED. ROAD DIST. NO.		ILLINOIS	FED. AID PROJECT	
CONTRACT NO. 63365				



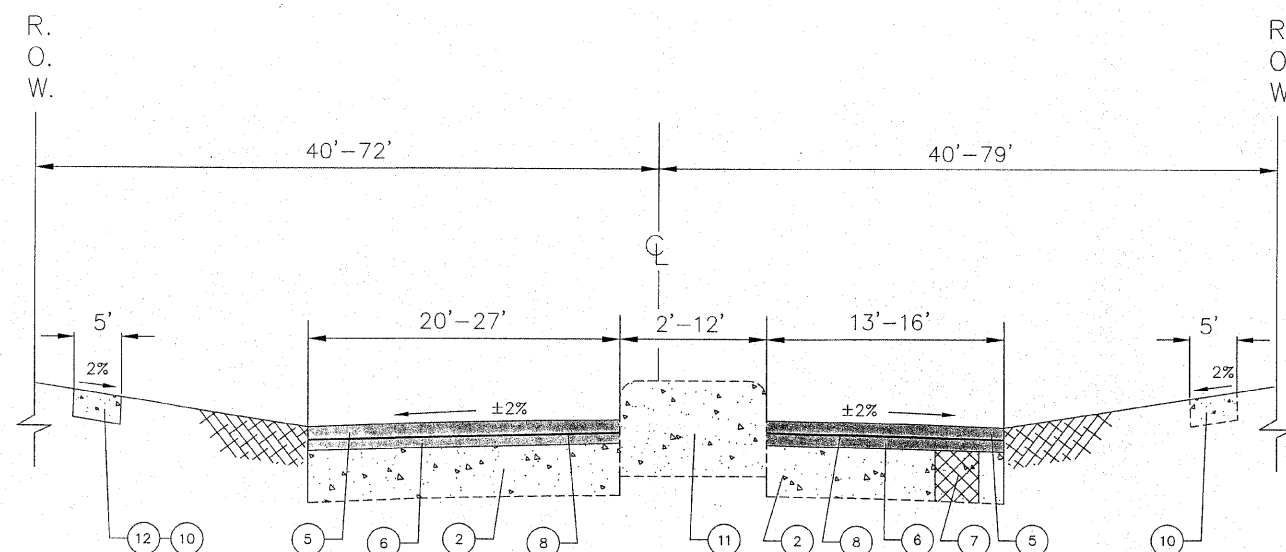
EXISTING CROSS-SECTION
STA 18+91 - STA 41+04.91



EXISTING CROSS-SECTION
STA 14+16.89 - STA 18+91



PROPOSED CROSS-SECTION
STA 18+91 - STA 41+04.91



PROPOSED CROSS-SECTION
STA 14+16.89 - STA 18+91

NOTE: CROSS-HATCHED
ITEMS ARE TO BE REMOVED

AKHRAS ASSOCIATES, INC.
 A DESIGN FIRM REGISTERED IN THE STATE OF ILLINOIS
 LICENSE NO. 184-100054
 9306 S. IDELL AVENUE • BRIDGEVIEW, IL 60455
 TEL. (708) 599-1101 • FAX (708) 599-2289

REVISIONS		DATE	ILLINOIS DEPARTMENT OF TRANSPORTATION VILLAGE OF PHOENIX VINCENNES ROAD RESURFACING THORNTON RD. TO HALSTED ST.
NAME	DATE		
JMH PER IDOT	10.01.09		TYPICAL CROSS SECTIONS
JMH PER REVIEW	11.17.09		

SCALE: N.T.S.
 HORIZ: N.T.S.
 DATE: 09/15/09
 DRAWN BY: JMH
 CHECKED BY: SAL