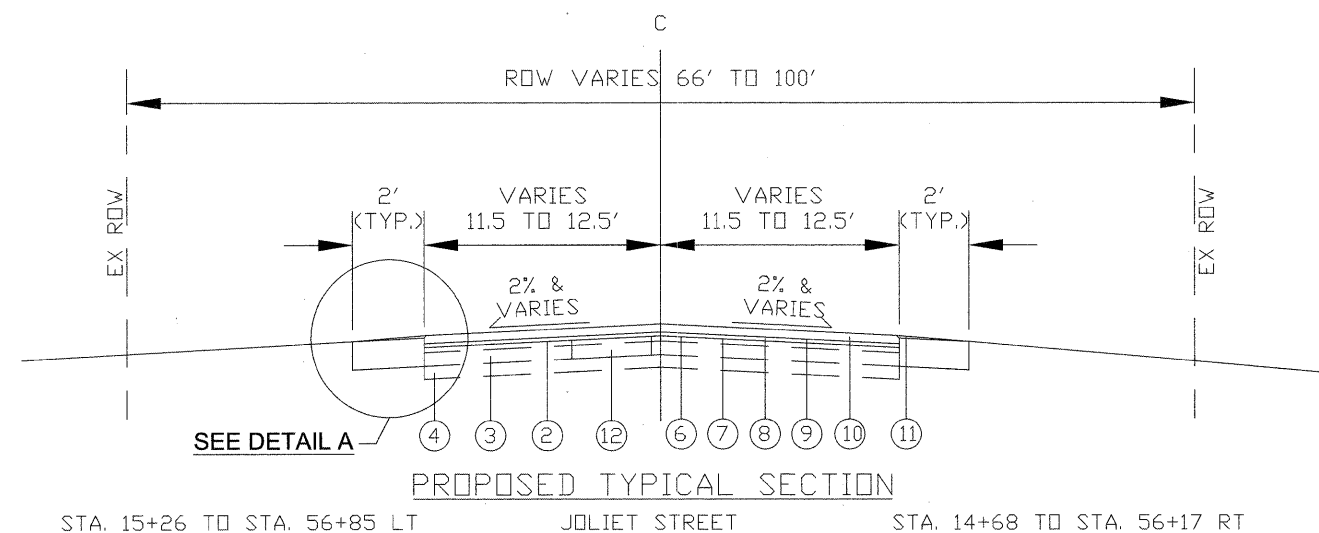
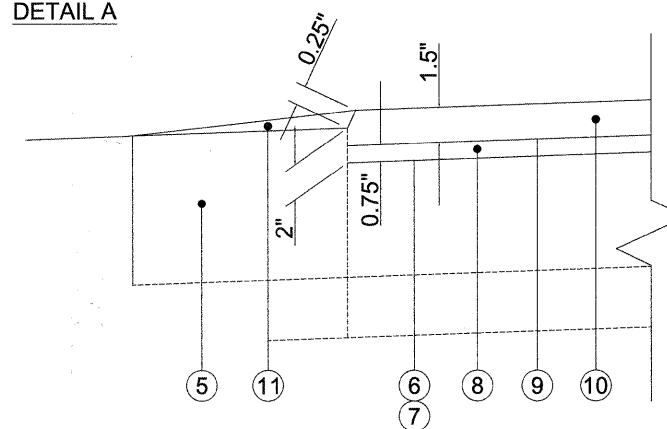


LEGEND:

- ① PR HOT-MIX ASPHALT SURFACE REMOVAL, 2"
- ② EX HOT-MIX ASPHALT SURFACE COURSE AND (LEVELING) BINDER COURSE, 3" AND VARIES (2" TO BE MILLED)
- ③ EX HOT-MIX ASPHALT BASE COURSE, VARIES 5" TO 11.5"
- ④ EX SUBBASE GRANULAR MATERIAL, TYPE B, 4" & VARIES
- ⑤ EX AGGREGATE SHOULDERS
- ⑥ PR AGGREGATE (PRIME COAT)
- ⑦ PR BITUMINOUS MATERIALS (PRIME COAT)
- ⑧ PR POLYMERIZED LEVELING BINDER (MACHINE METHOD), IL-4.75, N50, 0.75"
- ⑨ PR AREA REFLECTIVE CRACK CONTROL TREATMENT, SYSTEM A
- ⑩ PR HOT-MIX ASPHALT SURFACE COURSE, MIX "D", N70, 1.5"
- ⑪ PR AGGREGATE WEDGE SHOULDERS, TYPE B (SEE DETAIL A THIS SHEET)
- ⑫ PR INTERMITTENT PAVEMENT PATCH



DETAIL A



FILE NAME = 03-04_Typical Sections_Joliet S LAPP
 PLOT DATE = 12/15/09

thomas engineering group
 thomas engineering group, llc
 238 south kenilworth avenue
 suite 100
 oak park, il 60302
 phone: 708-533-1700

DESIGNED - DMM	REVISED -
DRAWN - DMM	REVISED -
CHECKED - KCV	REVISED -
DATE - 12/16/09	REVISED -

STATE OF ILLINOIS
 DEPARTMENT OF TRANSPORTATION

JOLIET STREET - IL RTE 59 TO GENEVA STREET
 TYPICAL SECTIONS

SCALE: NTS

F.A.U. RTE. 2534	SECTION 09-00074-00-RS	COUNTY DUPAGE	TOTAL SHEETS 22	SHEET NO. 4
FED. ROAD DIST. NO. 1 ILLINOIS		FED. AID PROJECT ARA-9003(405)		

CONTRACT NO. 63374