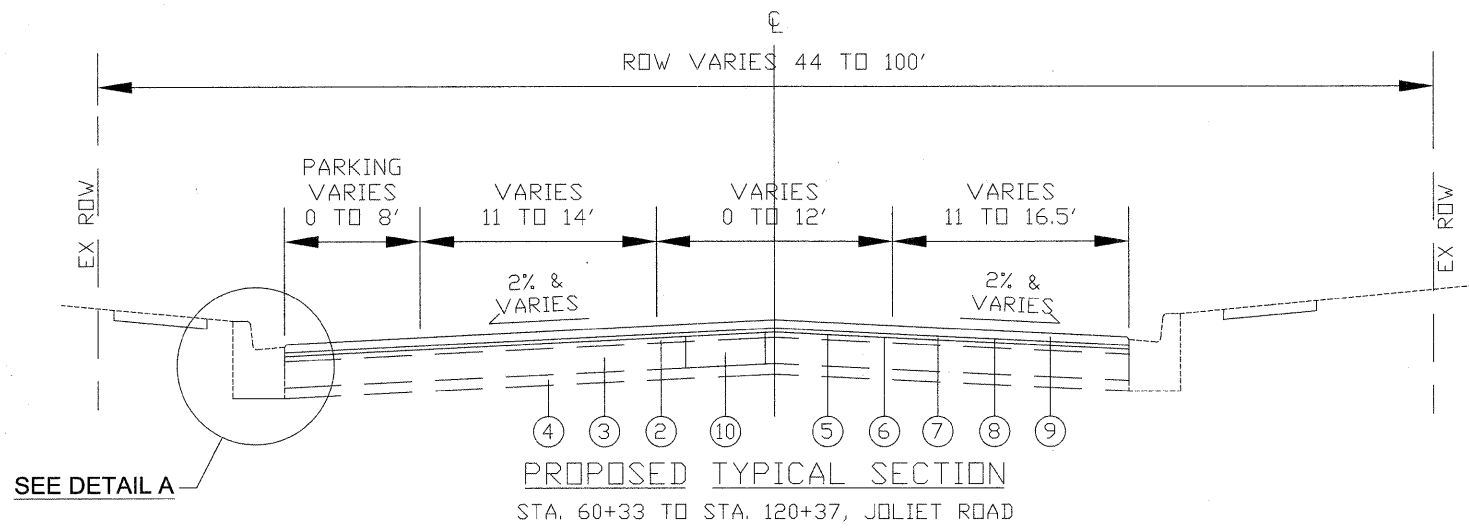
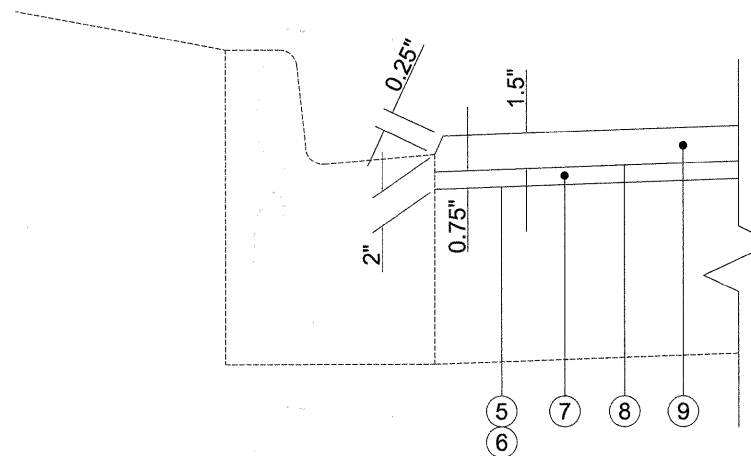


LEGEND:

- ① PR HOT-MIX ASPHALT SURFACE REMOVAL, 2"
- ② EX HOT-MIX ASPHALT SURFACE COURSE AND (LEVELING) BINDER COURSE, 3" AND VARIES (2" TO BE MILLED)
- ③ EX HOT-MIX ASPHALT BASE COURSE, VARIES 8.5" TO 12"
- ④ EX SUBBASE GRANULAR MATERIAL, TYPE B, VARIES 4"
- ⑤ PR AGGREGATE (PRIME COAT)
- ⑥ PR BITUMINOUS MATERIALS (PRIME COAT)
- ⑦ PR POLYMERIZED LEVELING BINDER (MACHINE METHOD), IL-4.75, N50, 0.75"
- ⑧ PR AREA REFLECTIVE CRACK CONTROL TREATMENT, SYSTEM A
- ⑨ PR HOT-MIX ASPHALT SURFACE COURSE, MIX "D", N70, 1.5"
- ⑩ PR INTERMITTENT PAVEMENT PATCH



DETAIL A



FILE NAME = 05_Typical Sections_Joliet N LAPP
PLOT DATE = 12/15/09

thomas engineering group
thomas engineering group, llc
238 south kenilworth avenue
suite 100
oak park, il 60302
phone: 708-533-1700

DESIGNED - DMM	REVISED -
DRAWN - DMM	REVISED -
CHECKED - KCV	REVISED -
DATE - 12/16/09	REVISED -

STATE OF ILLINOIS
DEPARTMENT OF TRANSPORTATION

JOLIET STREET - IL RTE 59 TO GENEVA STREET
TYPICAL SECTIONS

SCALE: NTS

F.A.U. RTE. 2534	SECTION 09-0074-00-RS	COUNTY DUPAGE	TOTAL SHEETS 22	SHEET NO. 5
CONTRACT NO. 63374				
FED. ROAD DIST. NO. 1 ILLINOIS FED. AID PROJECT ARA-9003(405)				