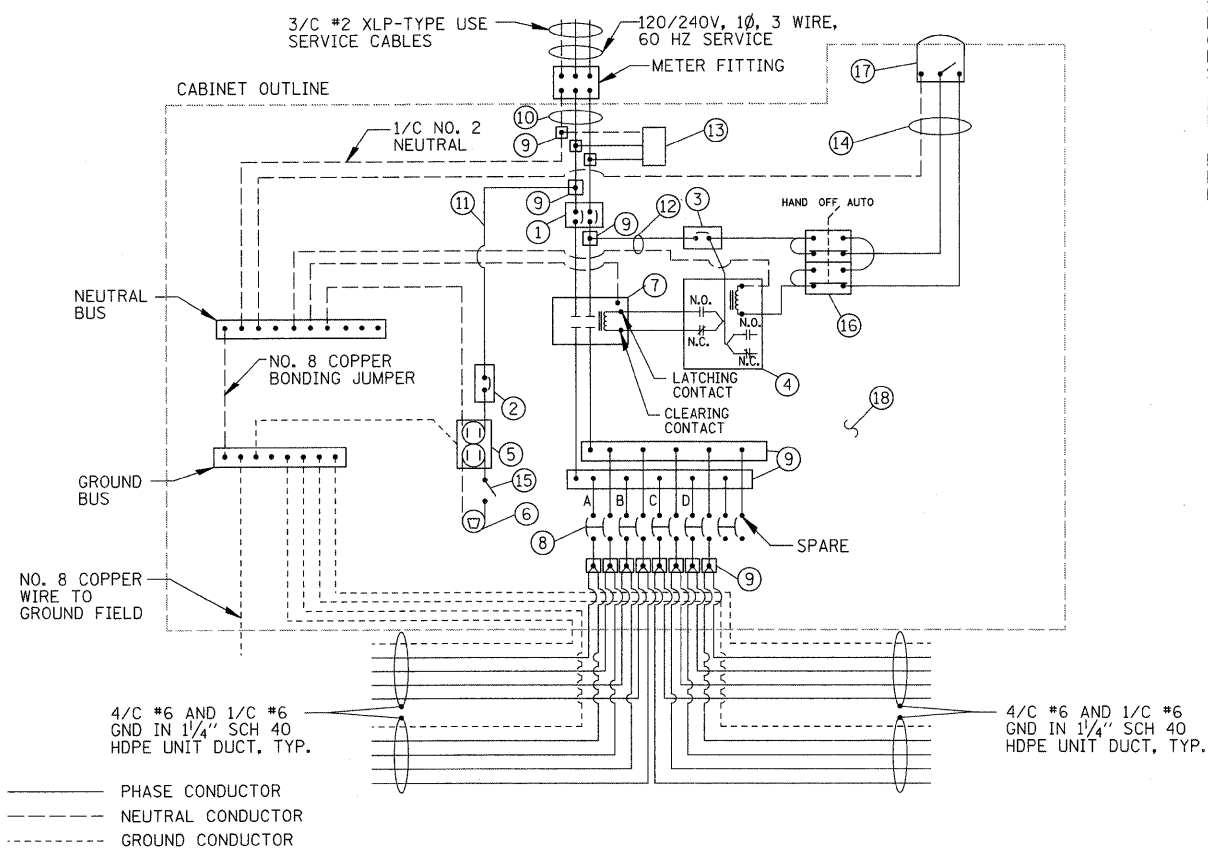


ITEM	SPECIFICATION	MFG./MODEL NO. OR APPROVED EQUAL
① MAIN CIRCUIT BREAKER	100 AMPERE, 2P, 240V SERVICE RATING, 22KAIC	SIEMENS NO. ED42B100
② LAMPHOLDER CIRCUIT BREAKER	20 AMPERE, 1P, 120V RATING, 22KAIC	SIEMENS NO. ED41B020
③ PHOTOELECTRIC CONTROL CIRCUIT BREAKER	15 AMPERE, 1P, 120V RATING, 22KAIC	SIEMENS NO. ED41B015
④ AUXILIARY RELAY	120 V OPERATED DPDT 60 HZ COIL 2 NO & 2 NC CONTACTS	MAGNECRAFT NO. 389 FXBXC1 - 120A
⑤ CABINET RECEPTACLE AND BOX	COMMERCIAL GRADE GFCI 20A/120V, MOUNTED IN A WEATHERPROOF CAST ALUMINUM SINGLE GANG BOX WITH WEATHERPROOF COVER	RECEPTACLE: LEVITON NO. 8899, BOX: APPLETON NO. WSM150 COVER: APPLETON NO. WHG1
⑥ CABINET LIGHT AND BOX	120V WEATHERPROOF LAMPHOLDER MOUNTED IN A CAST ALUMINUM BOX & EXT. GRADE 100W LAMP	LIGHT & BOX: RAB NO. VX100DG
⑦ CONTACTOR	100 AMPERE, 2 POLE, 120 V COIL, MECH HELD	SQUARE D NO. 8903 SQO 10 V02
⑧ BRANCH LINE CIRCUIT BREAKERS	5 - 30 AMPERE, 2P, 240V RATING, 22KAIC	SIEMENS NO. ED42B030
⑨ POWER DISTRIBUTION BLOCK	600 VOLT, INSULATED, SIZE AS REQUIRED	MARATHON
⑩ SERVICE CABLES	3-600V (XLP-TYPE USE) NO. 2	N/A
⑪ LAMPHOLDER WIRE	2-600V XLP NO. 12	N/A
⑫ CONTROL WIRE	2-600V XLP NO. 12	N/A
⑬ SURGE ARRESTOR	10 K AMPERE RATING	SQUARE D NO. SDSA 1175
⑭ PHOTOELECTRIC CONTROL WIRE	3-600V XLP NO. 12	N/A
⑮ DOOR SWITCH	20A/120V, DOOR MOUNTED SNAP ACTION TYPE PLUNGER SWITCH	OMRON NO. A-20GQ-K
⑯ HAND-AUTO-OFF CONTROL SWITCH	20A, 3 POS. MTD IN CAST ALUM. ENCLOSURE	SQUARE D NO. 9001 KYK 111
⑰ PHOTOCCELL	120V, MTD. ON CABINET, DELAY TYPE, SPST-NC	FISHER PIERCE NO. FPFA-105M
⑱ BACK PANEL	1/2" THICK SOLID PHENOLIC LAMINATE	ARBORON

NOTES:

- ALL ITEMS LISTED IN LIGHTING CONTROLLER COMPONENT SCHEDULE SHALL BE CONSIDERED INCIDENTAL TO THE PRICE BID FOR "LIGHTING CONTROLLER" INCLUDING CABINET AND FOUNDATION.
- THE LIGHTING CONTROLLER TOGETHER WITH ALL OF ITS COMPONENTS SHALL BE UL LISTED AS AN "ENCLOSED INDUSTRIAL CONTROL PANEL" UNDER UL508A.
- CONNECTION OF SURGE ARRESTOR TO LINE SIDE OF MAIN CIRCUIT BREAKER SHALL NOT BE "DOUBLE LUGGED."

LIGHTING CONTROLLER COMPONENT SCHEDULE



LIGHTING CONTROLLER WIRING DETAIL

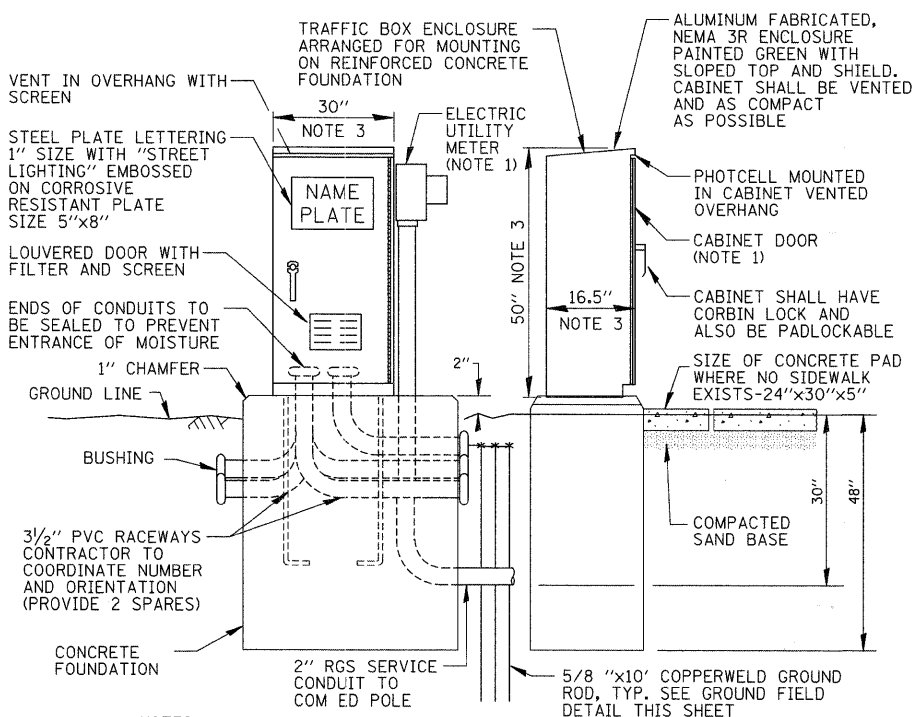
N.T.S.

CIRCUIT ID	400W ROADWAY LUMINAIRE		TOTAL CIRCUIT LOAD	
	QTY.	LOAD/FIXT. (WATTS)	(WATTS)	AMPS (VOLTS)
A	8	460 W	3,680 W	15.3A (240V)
B	6	460 W	2,760 W	11.5A (240V)
C	5	460 W	2,300 W	9.6A (240V)
D	7	460 W	3,220 W	13.4A (240V)
TOTAL	26	N/A	11,960 W	49.8A (240V)

LIGHTING CONTROLLER CIRCUIT LOADS

NOTE:

ALL CONDUCTORS IN THE UNIT DUCT RUNS SHALL HAVE INDIVIDUALLY COLOR CODED INSULATION THROUGHOUT THE ENTIRE LENGTH OF THE CONDUCTOR. THE COLOR IDENTIFICATION FOR THE SYSTEM GROUND SHALL BE GREEN. THE FOUR (4) PHASE CONDUCTORS SHALL BE IN ACCORDANCE WITH VILLAGE AND I.D.O.T. STANDARD PRACTICES FOR WIRING MULTI-CONDUCTOR CIRCUITS IN SINGLE UNIT DUCT RUNS.

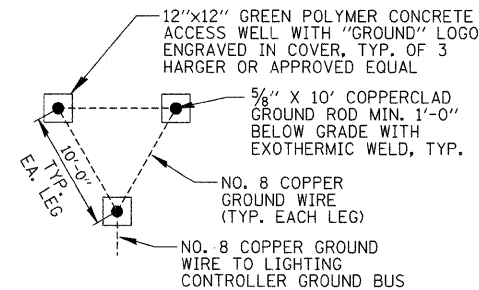


NOTES:

- SEE DETAIL THIS SHEET FOR CABINET METER FITTING & DOOR ORIENTATION.
- ALL ITEMS SHOWN ABOVE (INCLUDING FOUNDATION & GROUND FIELD) SHALL BE INCLUDED IN THE PRICE BID FOR "LIGHTING CONTROLLER", EXCEPT FOR THE SERVICE CONDUIT/WIRE WHICH WILL BE PAID FOR SEPARATELY.
- CABINET DIMENSIONS SHOWN ARE APPROXIMATE, CABINET SHALL BE AS COMPACT AS POSSIBLE, CONTRACTOR TO COORDINATE.

PROPOSED LIGHTING CONTROLLER CABINET AND FOUNDATION

N.T.S.

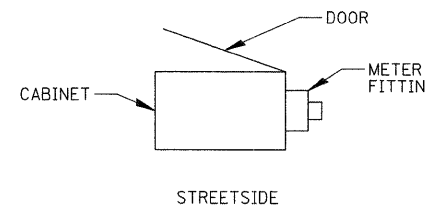


NOTES:

- ACCESS WELLS SHALL BE INCLUDED IN THE LIGHTING CONTROLLER PAY ITEM.

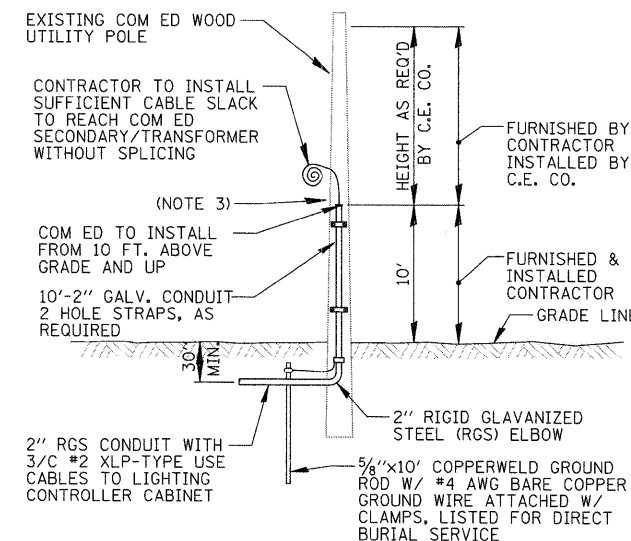
GROUND FIELD DETAIL (TYP.)

N.T.S.



CABINET METER FITTING & DOOR ORIENTATION

N.T.S.



NOTES:

- ALL WORK SHALL CONFORM TO COM ED'S BOOK OF "INFORMATION AND REQUIREMENTS FOR THE SUPPLY OF ELECTRIC SERVICE."
- FURNISHING AND INSTALLING ALL MATERIAL SHOWN ABOVE (EXCEPT FOR POLE) SHALL BE INCLUDED IN THE PRICE BID FOR "ELECTRIC SERVICE INSTALLATION". THE HORIZONTAL SERVICE CONDUIT AND WIRING FROM POLE TO CONTROLLER SHALL BE PAID FOR SEPARATELY.
- CONTRACTOR TO PROVIDE A CONDUIT BUSHING AND SEALING COMPOUND AT TOP OF RISER.

COM ED OVERHEAD CONNECTION POLE

N.T.S.

FILE NAME =	USER NAME = ADERICCO	DESIGNED = A/JD	REVISED =
N:\W\LOWBROOK\09244\Mech\09244.Lite	Drawn-L1dt	DRAWN = K/WB	REVISED =
	PLOT SCALE = 20'	CHECKED = A/JD	REVISED =
	PLOT DATE = 11/25/2009	DATE = 11-17-2009	REVISED =

STATE OF ILLINOIS
DEPARTMENT OF TRANSPORTATION

IL RT. 83 AND PLAINFIELD ROAD INTERSECTION LIGHTING
LIGHTING DETAILS (1 OF 3)

SCALE: N.T.S. SHEET NO. 4 OF 6 SHEETS STA. TO STA.

CHRISTOPHER B. BURKE ENGINEERING, LTD.
9575 W. Higgins Road, Suite 600
Rosemont, Illinois 60018
(847) 823-0500

F.A.U. RTE.	SECTION	COUNTY	TOTAL SHEETS	SHEET NO.
0344	09-00020-00-LT	DUPAGE	8	5
CONTRACT NO. 63402				
FED. ROAD DIST. NO. 1 ILLINOIS FED. AID PROJECT				