

**PROPOSED APPROACH PAVEMENT TYPICAL SECTION
THOMPSON ROAD**

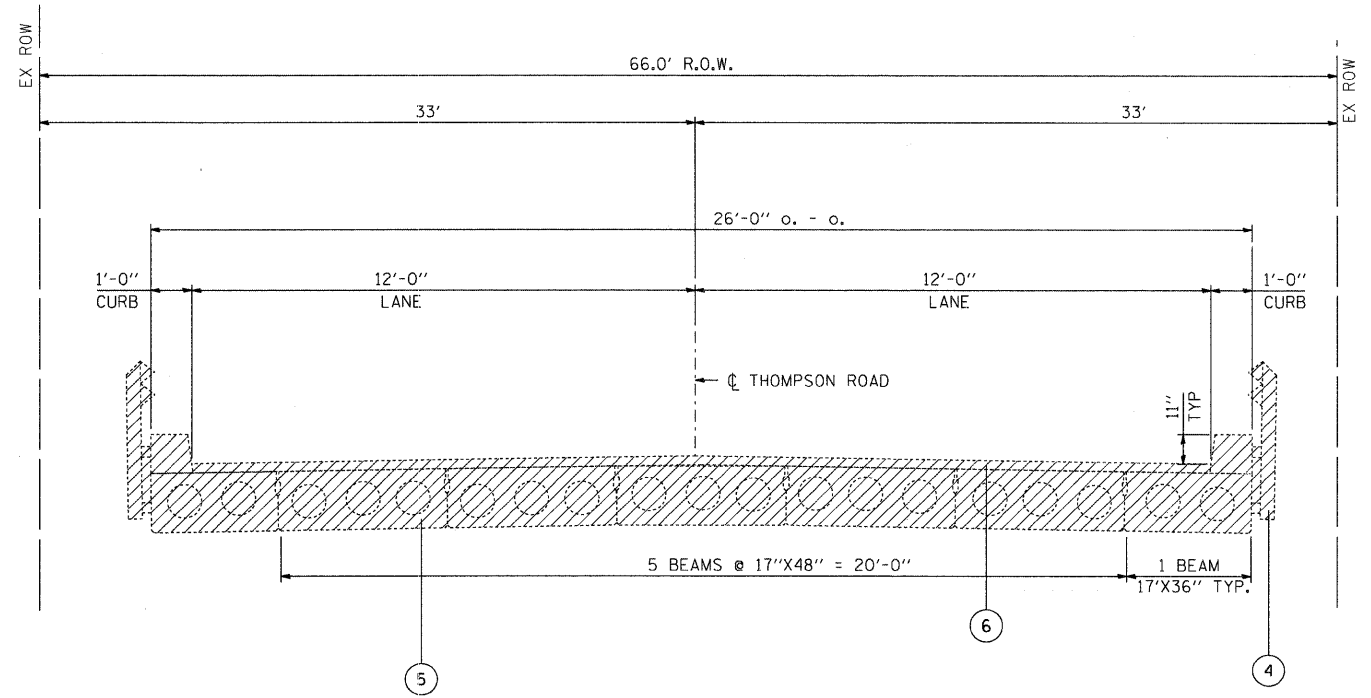
• VARIES FROM 1.50% TOWARD ROADWAY AT ENDS OF BRIDGE (STA 205+56.15 AND 207+04.78) TO 4% AWAY FROM ROAD AT ENDS OF APPROACH SLAB (STA 205+26.15 AND 207+34.78)

•• RETAINING WALL LOCATIONS:
STA. 205+03.99 TO STA 205+65.80 LT
STA. 207+15.50 TO STA. 207+90.32 LT

•••• THE PGL IS AT THE CENTER LINE OF THOMPSON ROAD AT STA 207+04.78 TO STA 208+20

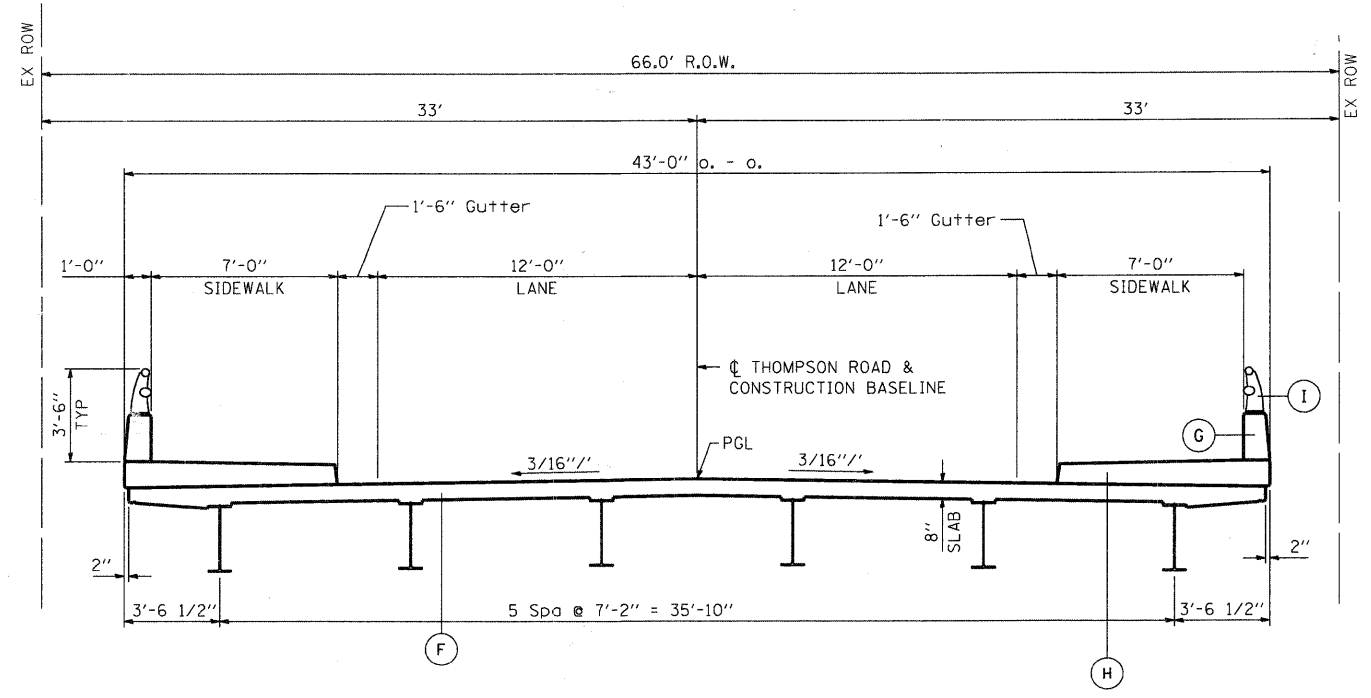
- EXISTING LEGEND**
- ① EXISTING GROUND
 - ② AGGREGATE SHOULDER
 - ③ ASPHALT SURFACE COURSE (4" - 8")
 - ④ EXISTING RAILING
 - ⑤ EXISTING STRUCTURE
 - ⑥ EXISTING HOT-MIX ASPHALT OVERLAY
- ▨ INDICATES ITEMS TO BE REMOVED

- PROPOSED LEGEND**
- Ⓐ HOT-MIX ASPHALT SHOULDERS, 6"
 - Ⓑ HOT-MIX ASPHALT SURFACE COURSE MIX "D" N70 (2")
 - Ⓒ TOPSOIL FURNISH AND PLACE, 4" AND SEEDING, CLASS 4
 - Ⓓ STEEL PLATE BEAM GUARDRAIL, TYPE A, 9' FOOT POST
 - Ⓔ RETAINING WALL - CONCRETE STRUCTURES & FURNISHED STEEL PILES HP 14 X 73 (SEE BRIDGE PLANS)
 - Ⓕ CONCRETE SUPERSTRUCTURE (SEE BRIDGE PLANS)
 - Ⓖ CONCRETE PARAPET WALL - CONCRETE SUPERSTRUCTURE (SEE BRIDGE PLANS)
 - Ⓗ CONCRETE SIDEWALK - CONCRETE SUPERSTRUCTURE (SEE BRIDGE PLANS)
 - Ⓘ ALUMINUM RAILING TYPE L (SEE BRIDGE PLANS)



EXISTING BRIDGE TYPICAL SECTION

STA. 205+51.5 TO STA. 206+83.46



PROPOSED BRIDGE TYPICAL SECTION

STA. 205+56.15 TO STA. 207+04.78

COMPANY NAME: SEC GROUP, INC.
PROJECT CONTACT: Robert G. Davies
CLIENT: Village of Wonder Lake
DATE PLOTTED: 11/20/2009 5:00 PM
FILE NAME: 080562.dwg
PLOTTER: HP DesignJet 5000
PEN TABLE: Standard.ctb



USER NAME = whood	DESIGNED -	REVISED -
PLOT SCALE =	DRAWN -	REVISED -
PLOT DATE = 11/30/2009	CHECKED - SP	REVISED -
	DATE - 11/18/09	REVISED -

VILLAGE OF WONDER LAKE

**TYPICAL SECTIONS
THOMPSON ROAD**

SCALE: SHEET NO. OF N/A SHEETS STA. TO STA.

F.A.U. RTE. 4081	SECTION 06-00005-00-BR	COUNTY McHENRY	TOTAL SHEETS 45	SHEET NO. 5
FED. ROAD DIST. NO.		ILLINOIS FED. AID PROJECT		

CONTRACT NO. 63409