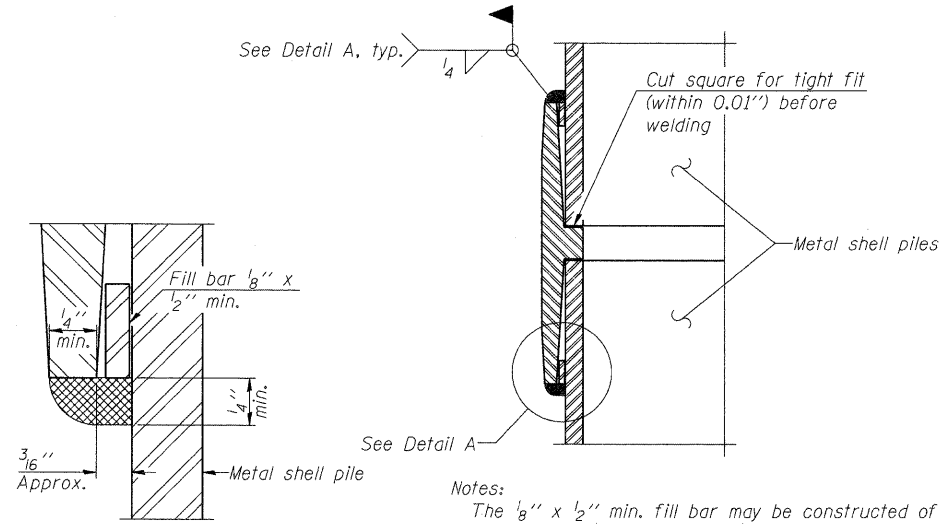


METAL SHELL PILE TABLE

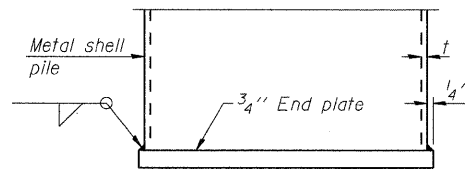
Designation and outside diameter	Wall thickness t	Weight per foot (Lbs./ft.)	Inside volume (yd. ³ /ft.)
PP12	0.179"	22.60	0.0274
PP12	0.250"	31.37	0.0267
PP14	0.250"	36.71	0.0368
PP14	0.312"	45.61	0.0361



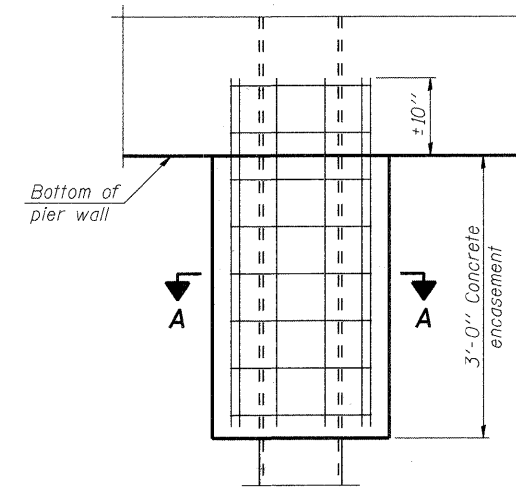
DETAIL A

Notes:
 The 1/8" x 1/2" min. fill bar may be constructed of 2 bars with a 1/8" max. gap between them.
 Pile segments shall be driven to solid contact with splicer before welding.

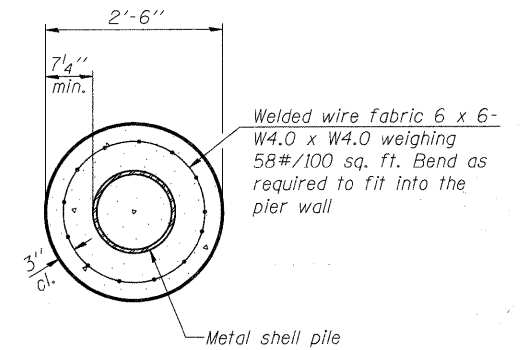
WELDED COMMERCIAL SPLICE



END PLATE ATTACHMENT



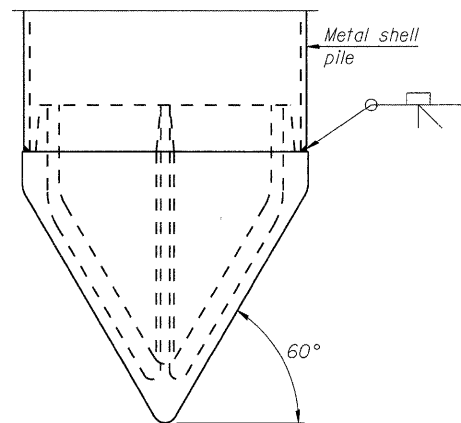
ELEVATION



SECTION A-A

Note:
 Forms for encasement may be omitted when soil conditions permit.

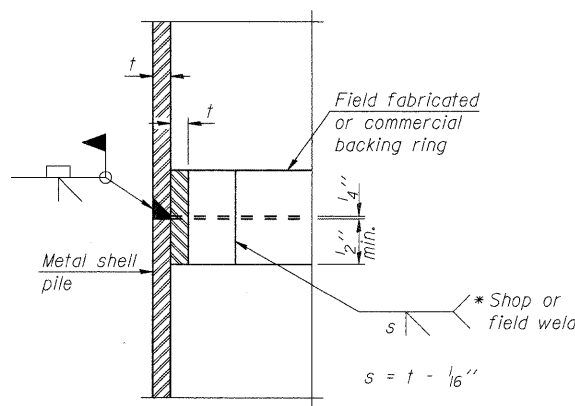
CONCRETE ENCASEMENT AT PIERS



METAL SHELL PILE SHOE ATTACHMENT

(See Note A)

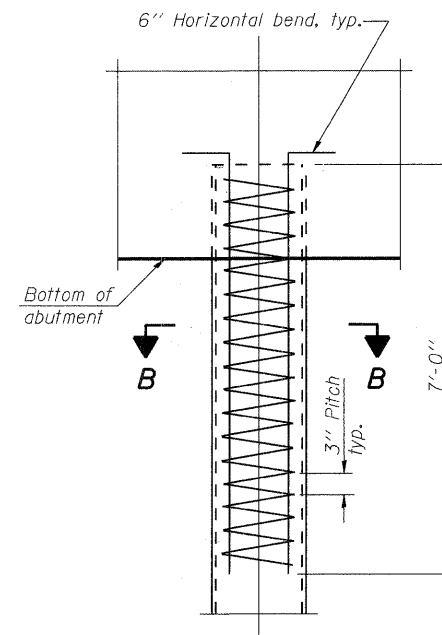
Note A:
 When called for on the plans, the Contractor shall furnish metal shell pile shoes consisting of a single piece conical pile point as shown. The pile shoes shall be cast in one piece steel according to either ASTM A 148 Grade 90-60 or AASHTO M 103 Grade 65-35 and shall provide full bearing over the full circumference of the metal shell pile. The pile shoe shall have tapered leads to assure proper alignment and fitting and shall be secured to the pile with a circumferential weld.



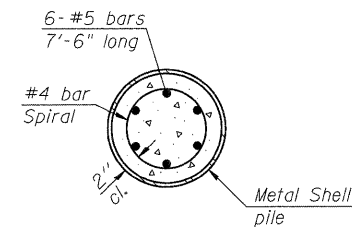
COMPLETE PENETRATION WELD SPLICE

* Field fabricated backing ring may be made from pile shell by removing segment to allow reducing circumference and vertically rejoin with partial joint penetration weld.

Note:
 The metal shell piles shall be according to ASTM A 252 Grade 3.



ELEVATION



SECTION B-B

METAL SHELL PILE DETAILS

THOMPSON ROAD
 OVER NIPPERSINK CREEK
 SECTION NO. 06-00005-00-BR
 McHENRY COUNTY
 STATION 206+30.48
 STRUCTURE NO. 056-6006

DATE: 11/18/09

DESIGNED	MGH/JPG
CHECKED	KMA
DRAWN	WJH
CHECKED	RGD

F-MS

10-1-08

SEC GROUP, INC.
 Illinois Professional Design Firm # 184-000108
 • Engineering • Surveying • Planning • Landscape Architecture
 420 N. Front Street, McHenry, IL 60050
 t. 815.385.1778 f. 815.385.1781
 www.secgroupinc.com
 • McHenry, IL • Yorkville, IL • New Lenox, IL • Chicago, IL

SHEET NO. S-23	F.A.U RTE.	SECTION	COUNTY	TOTAL SHEETS	SHEET NO.
	4081	06-00005-00-BR	McHENRY	45	34
S-25 SHEETS		CONTRACT NO. 63409			
FED. ROAD DIST. NO. 1 ILLINOIS FED. AID PROJECT					

FILE NAME: 060563.dwg 11/30/2009 PLOT DRIVER: pdf.plt PEN TABLE: standard-trans.tbl