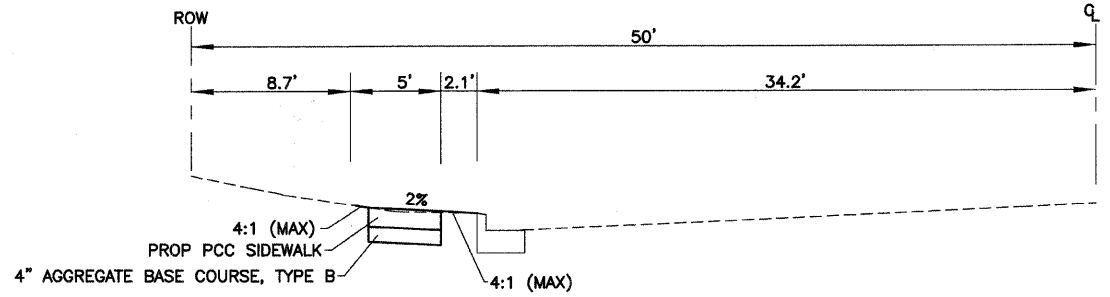
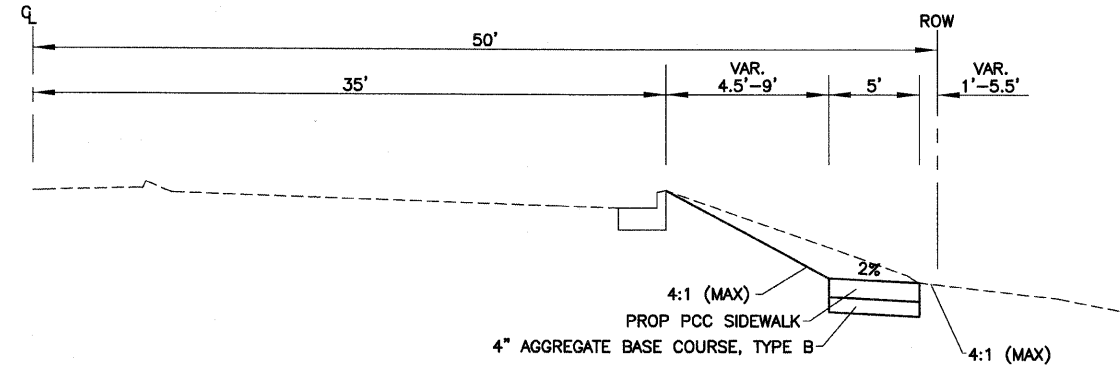


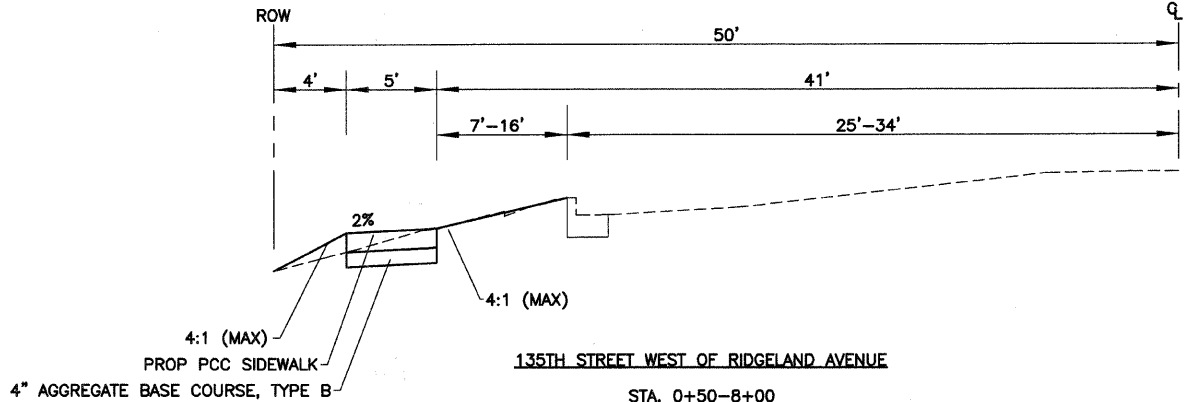
HARLEM AVENUE 131ST STREET TO ISHNALA DRIVE  
STA. 2+41-17+89



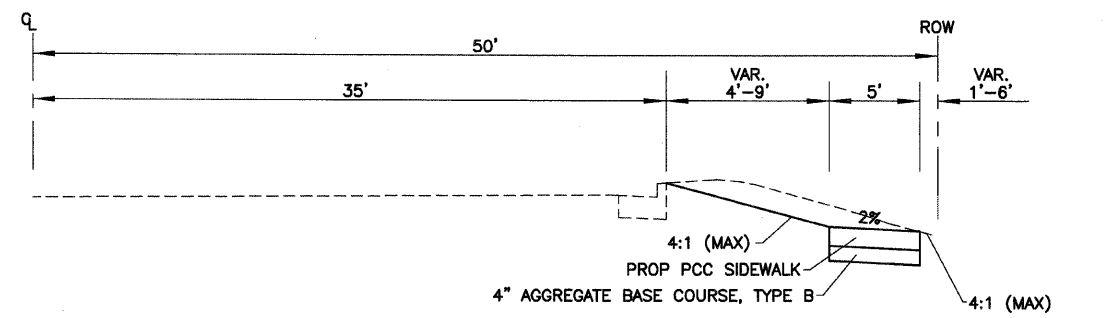
HARLEM AVENUE 119TH PLACE TO 119TH STREET  
STA. 83+85-83+95



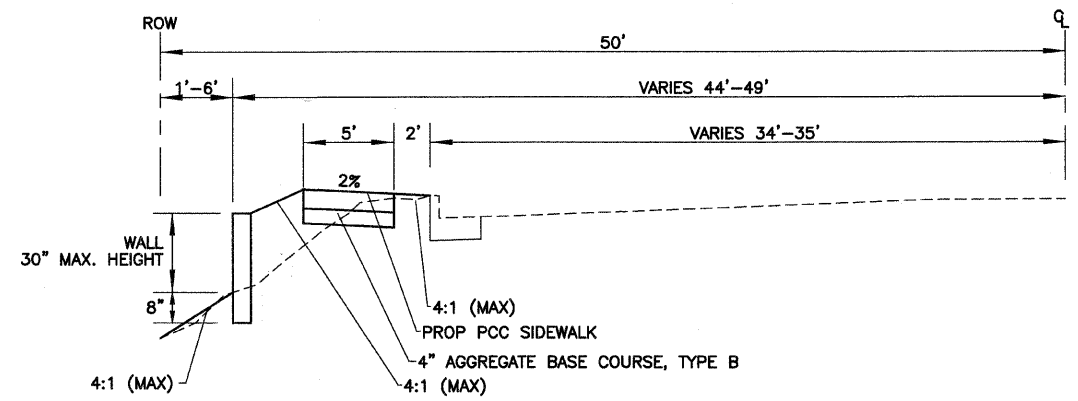
HARLEM AVENUE ISHNALA DRIVE TO 127TH STREET  
STA. 21+63-26+30



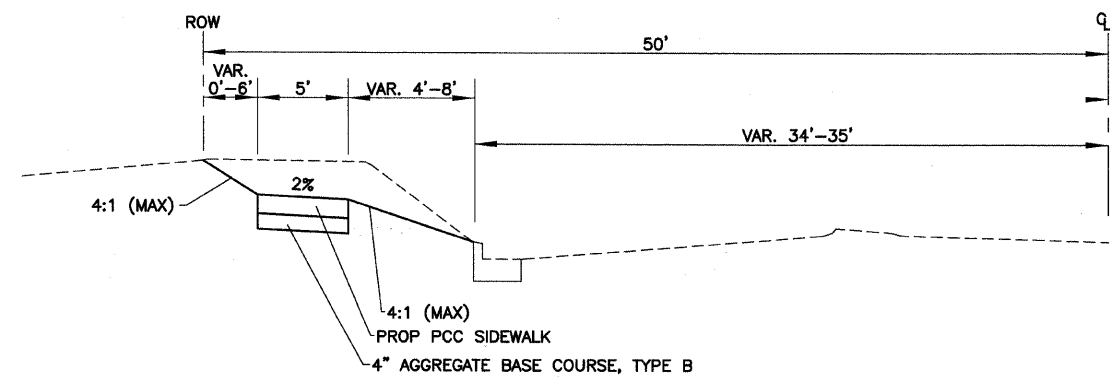
135TH STREET WEST OF RIDGELAND AVENUE  
STA. 0+50-8+00



HARLEM AVENUE 119TH PLACE TO 119TH STREET  
STA. 76+66-79+64



135TH STREET WEST OF RIDGELAND AVENUE  
STA. 8+10-11+07



HARLEM AVENUE 119TH PLACE TO 119TH STREET  
STA. 79+42-83+75  
STA. 84+05-85+50

PLOT DATE: Dec 17, 2009  
 FILENAME: H:\09-PH\3002\PLANS-ENG\REV-1\dwg\09-12-17.dwg

FILE NAME =	USER NAME = \$USER\$	DESIGNED -	REVISED -
H:\09-PH\3002\PLANS-ENG\REV-1\dwg\09-12-17.dwg	PH-3002 09-12-17.dwg	DRAWN -	REVISED -
PLOT SCALE = \$SCALE\$		CHECKED -	REVISED -
PLOT DATE = Dec 17, 2009		DATE -	REVISED -

**STATE OF ILLINOIS**  
**DEPARTMENT OF TRANSPORTATION**

**CITY OF PALOS HEIGHTS SIDEWALK IMPROVEMENTS**  
**TYPICAL SECTIONS**

SCALE: 1"=2' V 1"=5' H SHEET NO. OF SHEETS STA. TO STA.

F.A.P. RTE.	SECTION	COUNTY	TOTAL SHEETS	SHEET NO.
348	09-00044-00-SW	COOK	29	4
CONTRACT NO. 63413			ILLINOIS FED. AID PROJECT	