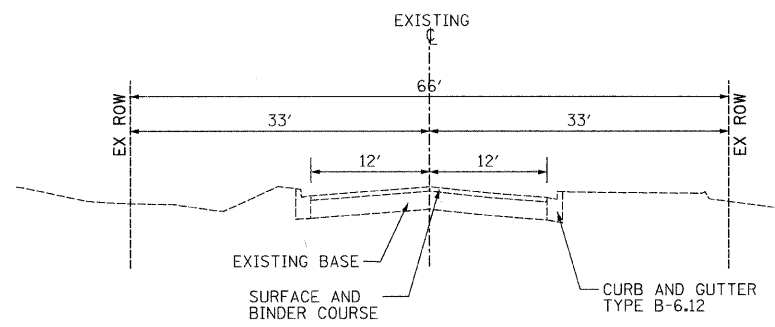
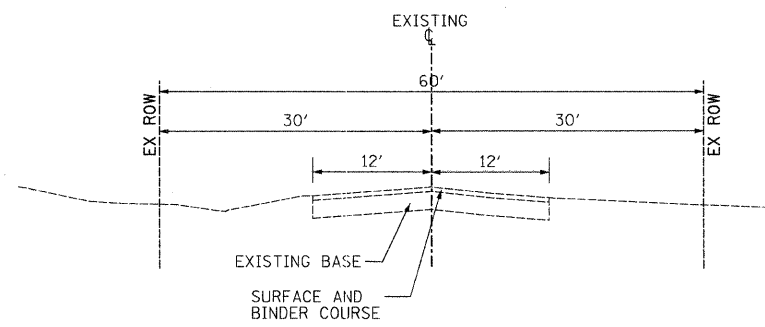


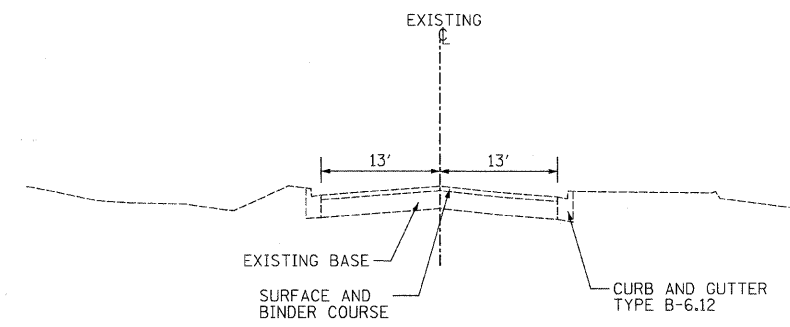
EXISTING FABYAN PARKWAY
 STA. 44+10.88 TO STA. 61+94.00



EXISTING CARRIAGE DRIVE AND VAN NORTWICK AVENUE



EXISTING ALLEN DRIVE



EXISTING RIVER ROCK ROAD

FILE NAME -	USER NAME - #USER#	DESIGNED RDT	REVISED -	STATE OF ILLINOIS DEPARTMENT OF TRANSPORTATION	FABYAN PARKWAY EXISTING TYPICAL SECTIONS	F.A.P. RTE.	SECTION	COUNTY	TOTAL SHEETS	SHEET NO.
#FILEL#	PLOT SCALE - #SCALE#	DRAWN RDT	REVISED -			363	08-00370-00-SP	KANE	32	5
	PLOT DATE - #DATE#	CHECKED JAC	REVISED -			C-91-510-08		CONTRACT NO. 63416		
		DATE 12-08-09	REVISED -			ILLINOIS FED. AID PROJECT HSIP-9003 (056)				
				SCALE: NTS	SHEET NO. 5 OF 33 SHEETS	STA.	TO STA.			