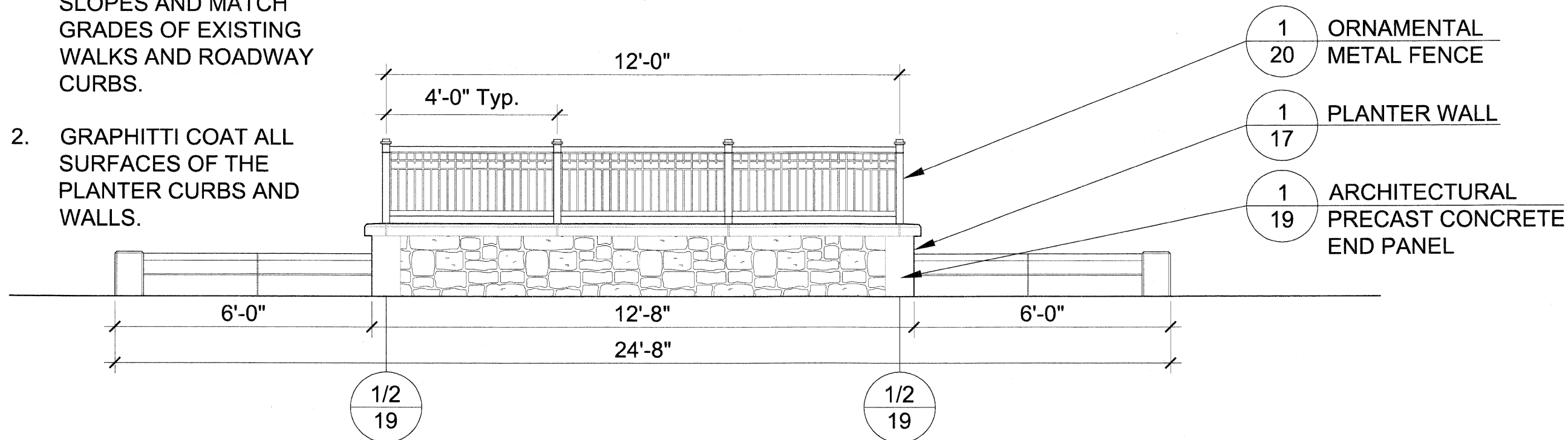


**NOTE:**

1. PLANTER CURBS AND WALLS TO FOLLOW SLOPES AND MATCH GRADES OF EXISTING WALKS AND ROADWAY CURBS.
2. GRAPHITTI COAT ALL SURFACES OF THE PLANTER CURBS AND WALLS.



1 PLANTER ELEVATION (TYPES A AND B)

3/4" = 1'-0"

FILE NAME = SFILES	USER NAME = SUSERS	DESIGNED - TCK/MEU	REVISED - DECEMBER 1, 2009	STATE OF ILLINOIS DEPARTMENT OF TRANSPORTATION	DETAILS WEST DUNDEE STREETScape PROJECT	F.A.P. RTE. 341	SECTION 09-00056-00-LS	COUNTY KANE	TOTAL SHEETS 20	SHEET NO. 15	
	PLOT SCALE = SCALES	CHECKED - TCK/TRR	REVISED -			C-91-188-10		CONTRACT NO. 63418			
	PLOT DATE = SDATES	DATE - OCTOBER 16, 2009	REVISED -			SCALE: AS NOTED		SHEET NO. 15 OF 20 SHEETS		STA. N/A TO STA. N/A	