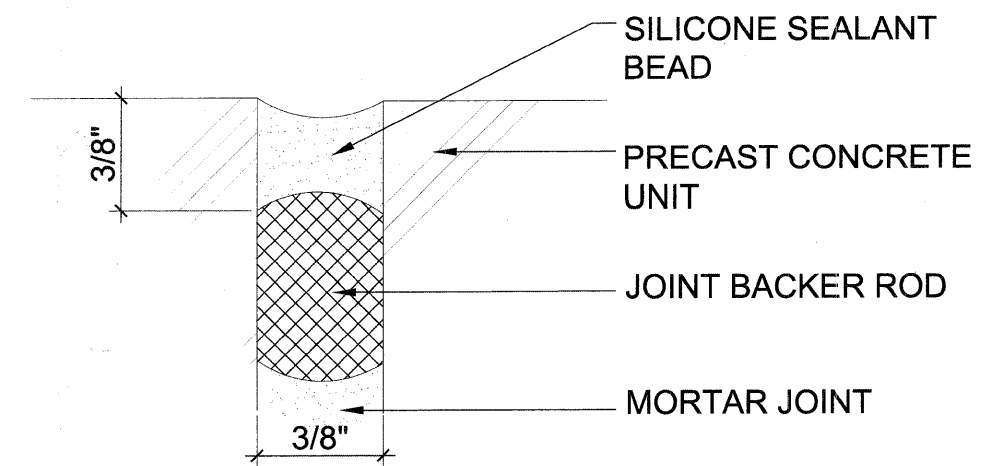
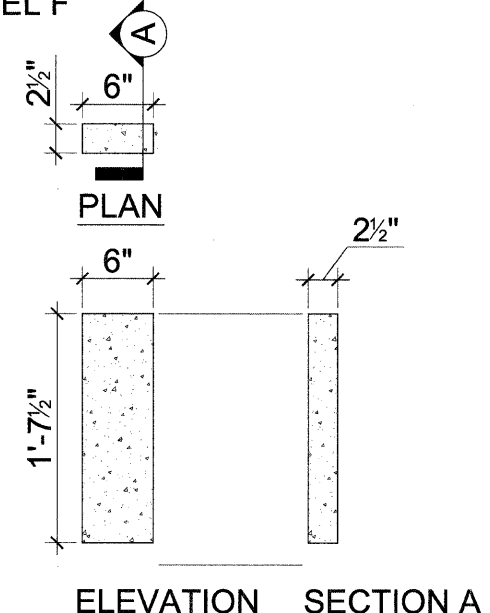
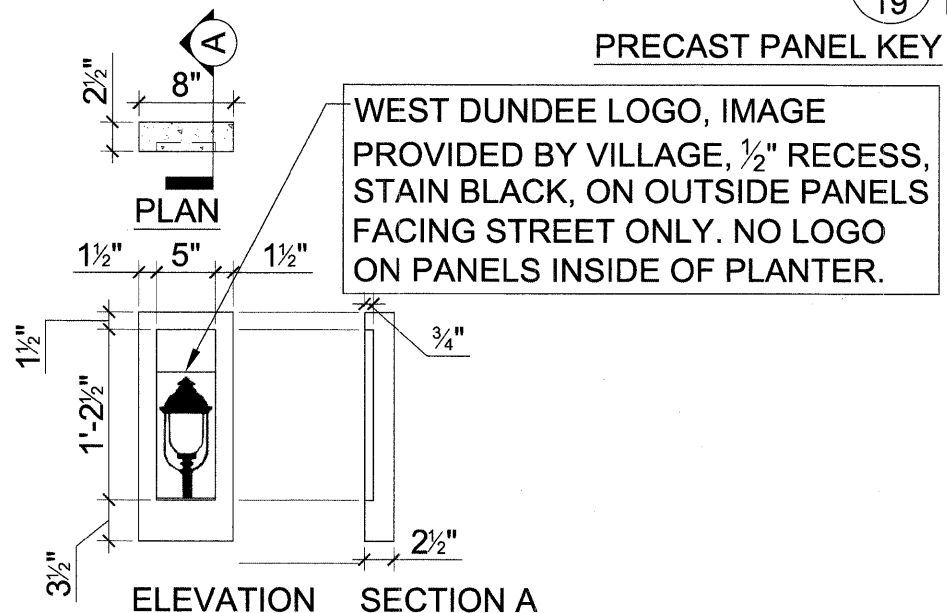


NOTE (FOR ALL DETAILS): BOXED NOTES INDICATE INCIDENTAL ITEMS OF WORK INCLUDED IN THE COST OF PAY ITEM DETAILED.



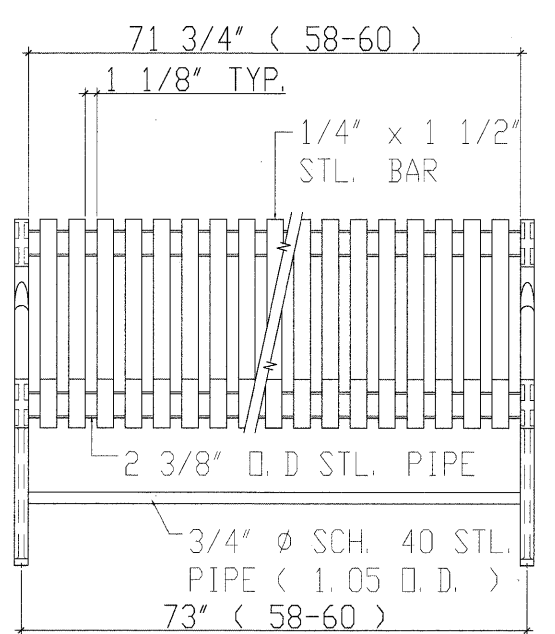
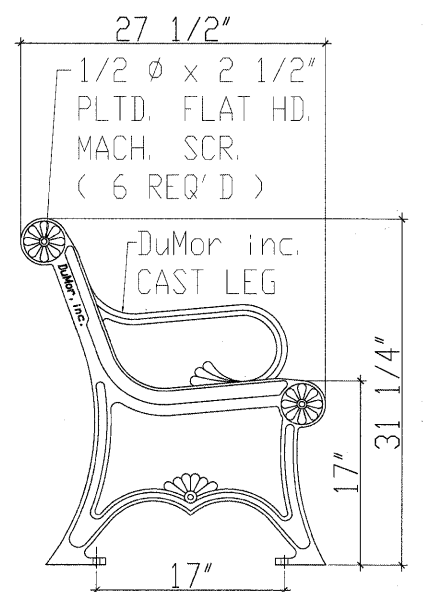
3 PRECAST JOINT (INCEDENTAL FOR ALL PRECAST PEICES) d-joint-precast
1 1/2" = 1'-0"

1 ARCHITECTURAL PRECAST CONCRETE END PANEL - PIECE F
1 1/2" = 1'-0"
PAID FOR AS "PRECAST MODULAR RETAINING WALL"

2 ARCHITECTURAL PRECAST CONCRETE END PANEL - PIECE G
1 1/2" = 1'-0"
PAID FOR AS "PRECAST MODULAR RETAINING WALL"

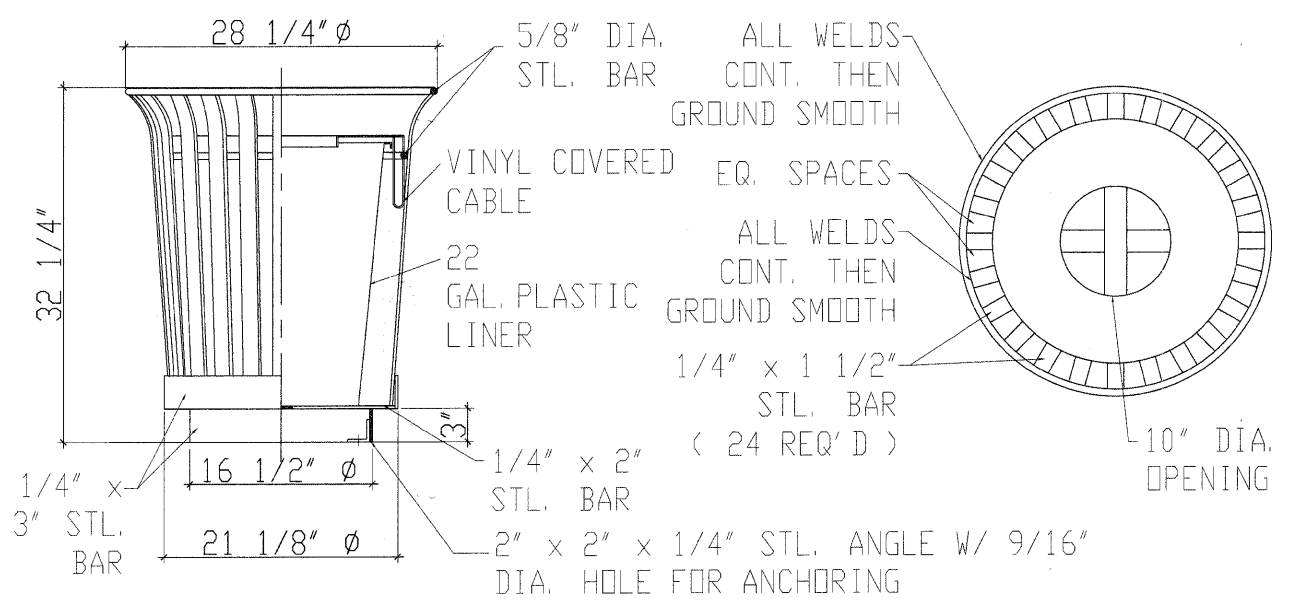
NOTES:
1.) 1/2" x 6" PLTD. ANCHOR BOLTS & NUTS PROVIDED.
2.) CUSTOM LETTERING AVAILABLE FOR RECESSED SIDE PANELS (TOTAL OF 37 SPACES)
3.) SEE FURNITURE MOUNTING DETAIL
4.) SEE SPECIFICATIONS FOR DETAILS

DUMOR, INC
P. O. BOX 142
MIFFINTOWN, PA
17059-0142.
BENCH
58 SERIES



NOTES:
1.) 1/2" x 6" PLTD. ANCHOR BOLTS, WASHERS & NUTS PROVIDED.
2.) SEE FURNITURE MOUNTING DETAIL
3.) SEE SPECIFICATIONS FOR DETAILS
DO NOT SCALE DRAWING

DUMOR, INC
P. O. BOX 142
MIFFINTOWN, PA
17059-0142.
RECEPTACLE
84 SERIES



4 BENCH
DO NOT SCALE DRAWING
d-bench1
N.T.S.

5 TRASH RECEPTACLE
d-trash1
N.T.S.

FILE NAME =	USER NAME = \$USERS	DESIGNED - TCK/MEU	REVISED - DECEMBER 1, 2009	STATE OF ILLINOIS DEPARTMENT OF TRANSPORTATION	DETAILS WEST DUNDEE STREETSCAPE PROJECT			F.A.P. RTE. 341	SECTION 09-00056-00-LS	COUNTY KANE	TOTAL SHEETS 20	SHEET NO. 19
\$FILES	PLOT SCALE = \$SCALES	DRAWN - RWR	REVISED - DECEMBER 14, 2009		SCALE: AS NOTED	SHEET NO. 19 OF 20 SHEETS	STA. N/A TO STA. N/A	C-91-188-10	CONTRACT NO. 63418			
	PLOT DATE = \$DATES	CHECKED - TCK/TRR	REVISED - DECEMBER 28, 2009									
		DATE - OCTOBER 16, 2009	REVISED -		FED. ROAD DIST. NO. 1 ILLINOIS FED. AID PROJECT ARA-9003(529)							