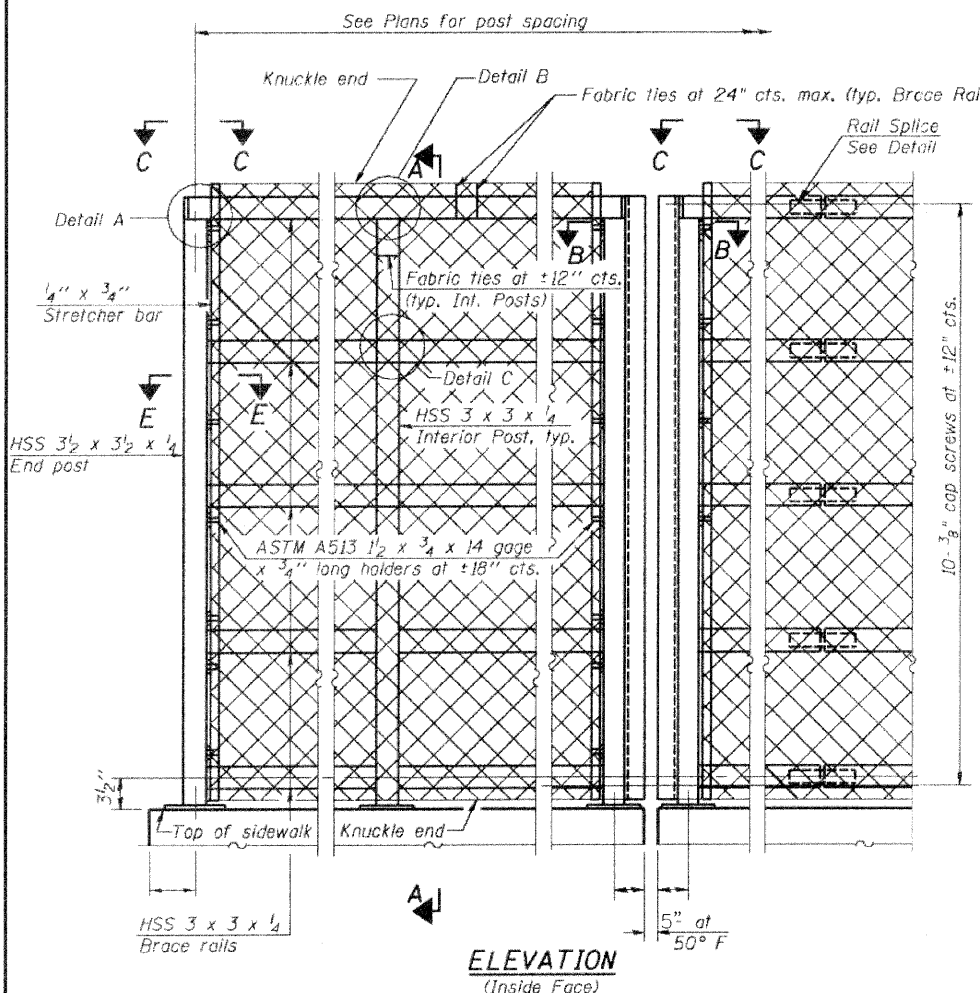
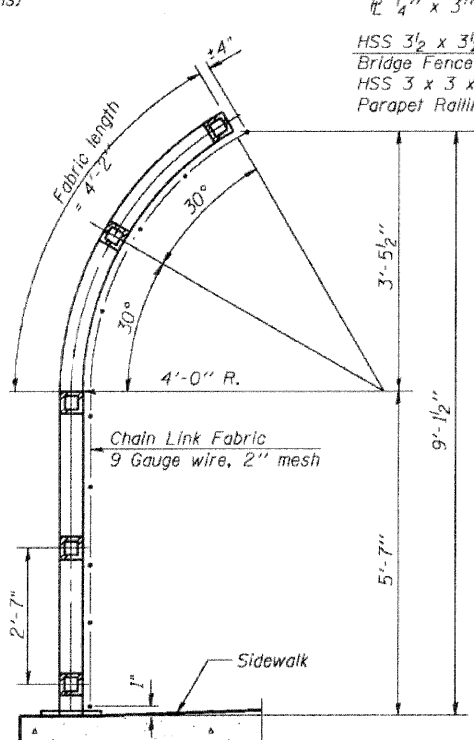


STATE OF ILLINOIS
DEPARTMENT OF TRANSPORTATION



ELEVATION
(Inside Face)



SECTION A-A

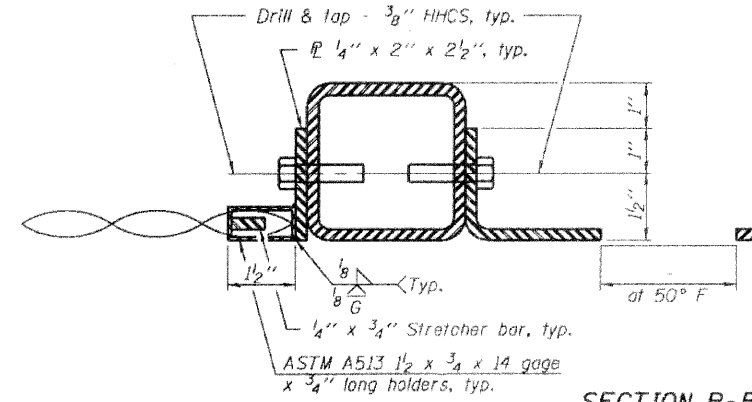
HSS 3/2 x 3/2 x 1/4
Bridge Fence Railing
HSS 3 x 3 x 1/4
Parapet Railing

DETAIL A

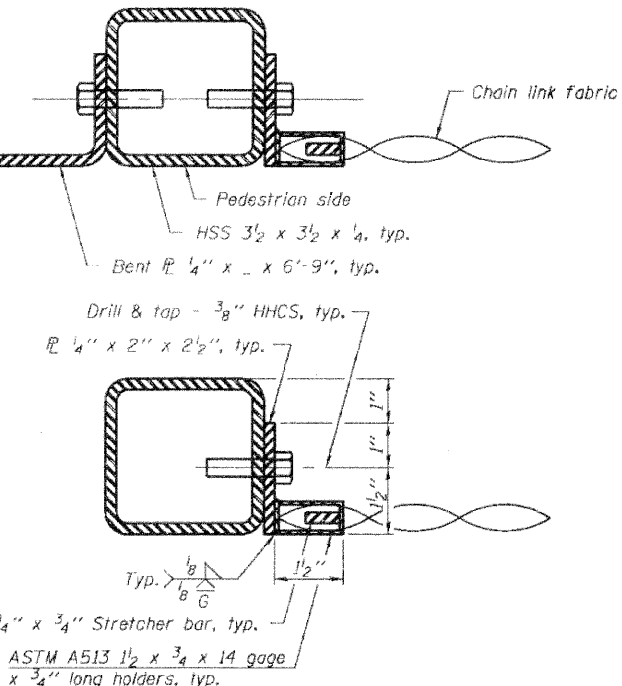
DETAIL B

DETAIL C

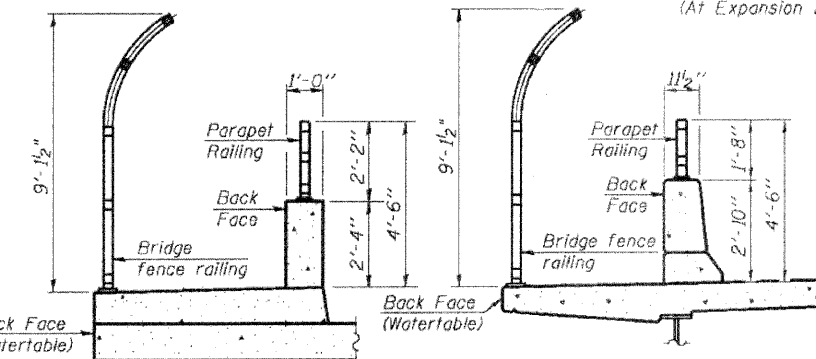
The designer should add the appropriate note as applicable.
A. When railing is galvanized:
All steel rail elements shall be galvanized according to Article 509.05 of the Standard Specifications.
B. When railing is painted:
All post, railing, splices, anchor devices, and plates shall be painted using the (List the appropriate paint system for Structural Steel).



SECTION B-B
(At Expansion Joint)

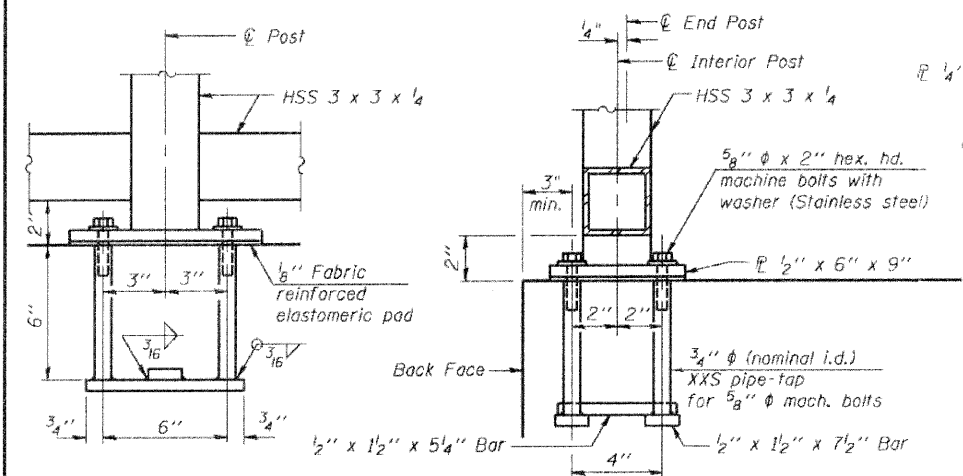


SECTION E-E



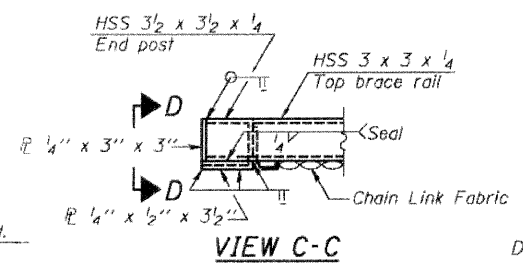
SECTION THRU SIDEWALK

SECTION THRU DECK

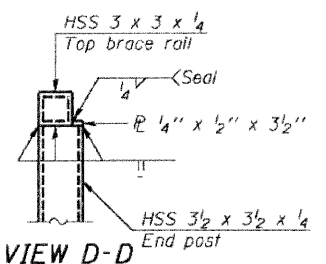


ANCHOR BOLT DETAILS

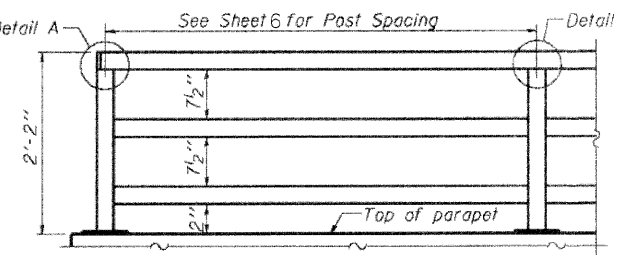
In lieu of the cast-in-place anchor device shown, the Contractor has the option of drilling and setting 5/8\"/>



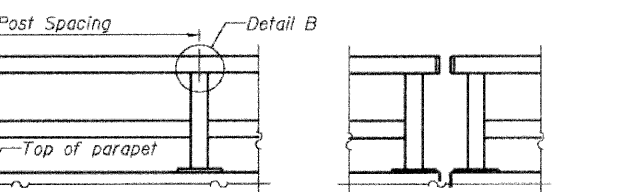
VIEW C-C



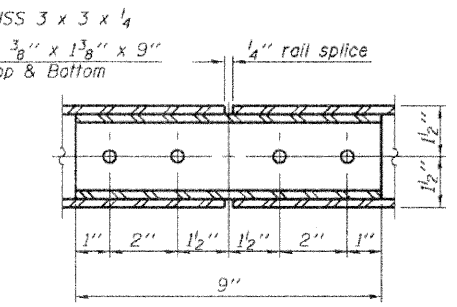
VIEW D-D



PARAPET RAILING ELEVATION
(Inside Face of Three Element Rail)



PARAPET RAILING ELEVATION AT EXPANSION JOINT
(Two Element Rail Shown - Three Element Rail Similar)



RAIL SPLICE

BILL OF MATERIAL

Item	Unit	Quantity
Bridge Fence Railing (Sidewalk)	Foot	225
Parapet Railing	Foot	

**BRIDGE FENCE RAILING
SIDEWALK MOUNTED
STRUCTURE NO. 0162126**

DESIGNED -	200
CHECKED -	EXAMINED
DRAWN -	PASSED
CHECKED -	ENGINEER OF BRIDGE DESIGN
	ENGINEER OF BRIDGES AND STRUCTURES

SHEET NO. 10 SHEETS 19	F.A. RTE.	SECTION	COUNTY	TOTAL SHEETS	SHEET NO.
	2831	09-00041-00-SW	COOK	19	10
	CONTRACT NO. 63421				
FED. ROAD DIST. NO. 1 ILLINOIS FED. AID PROJECT ARA 9003(395)					

R-33 10-1-08 (10'-0" Maximum Post Spacing)