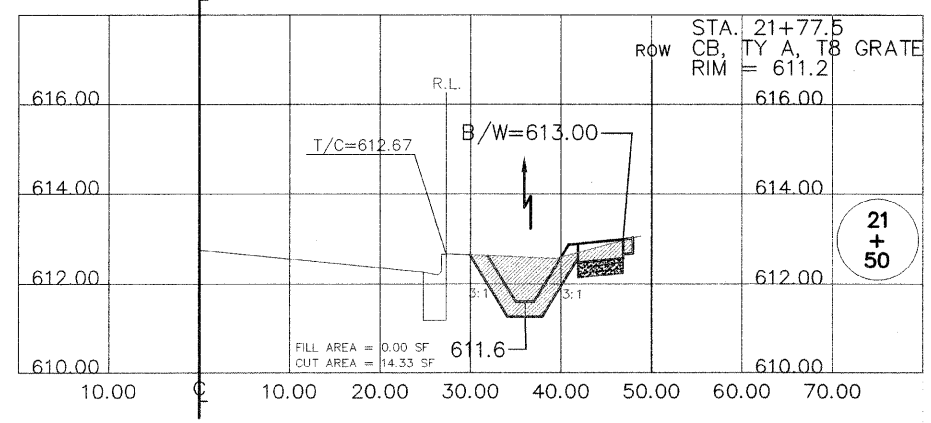
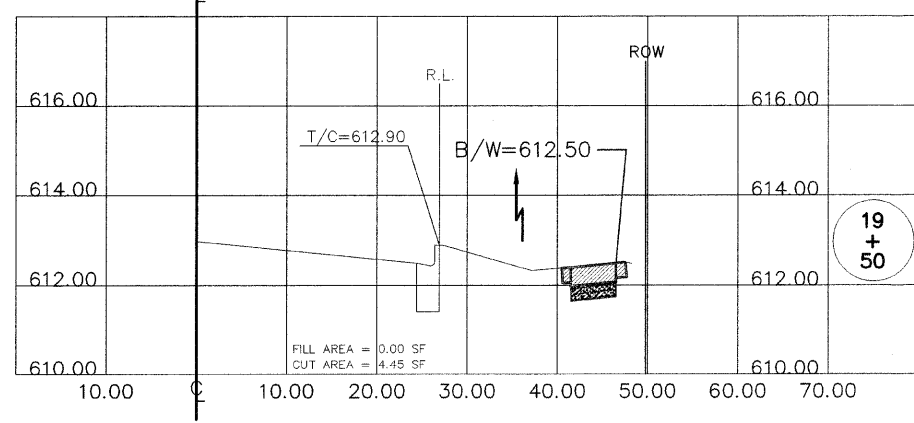
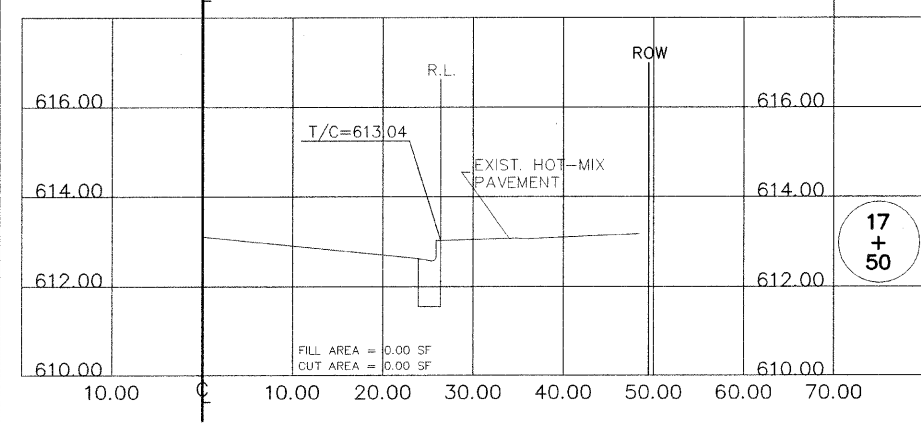
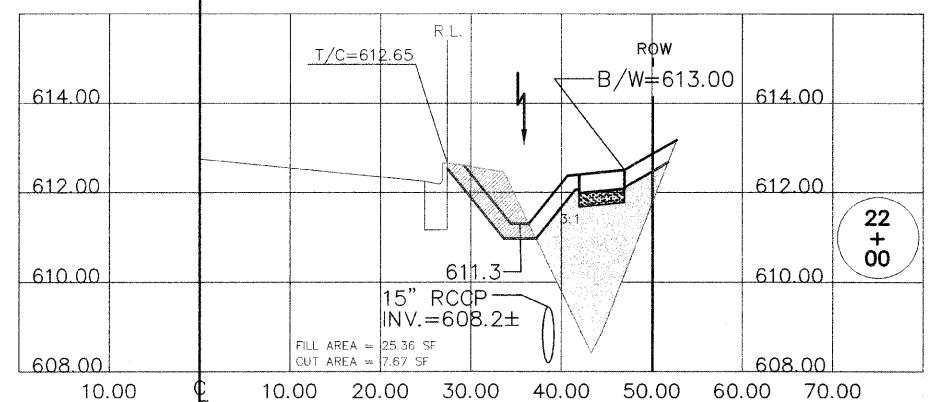
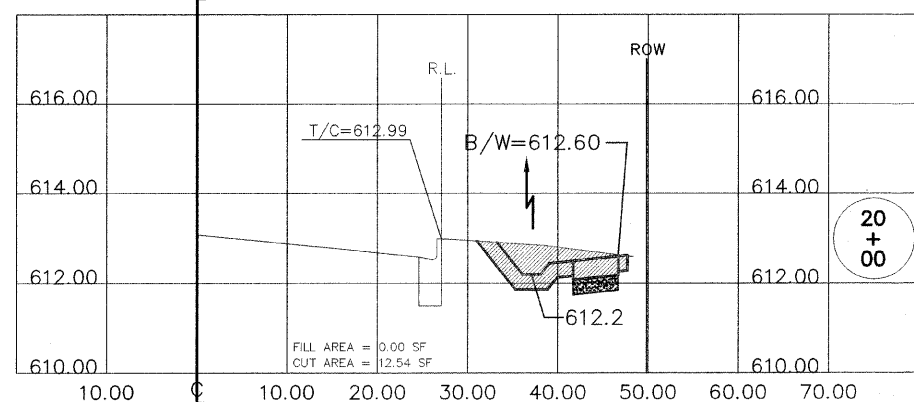
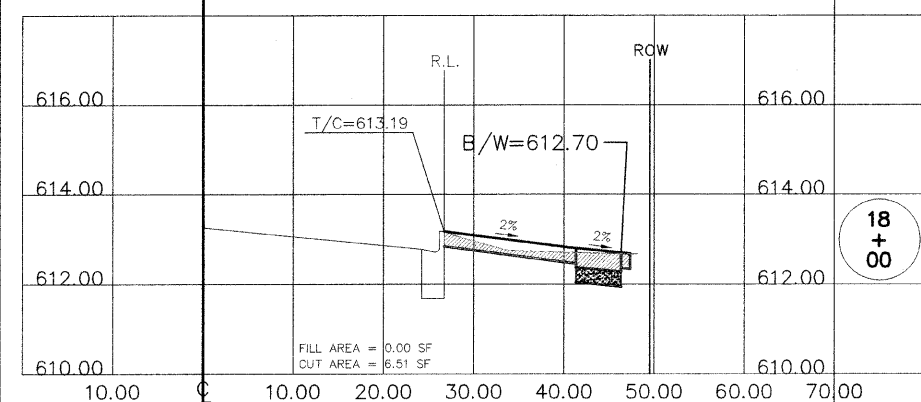
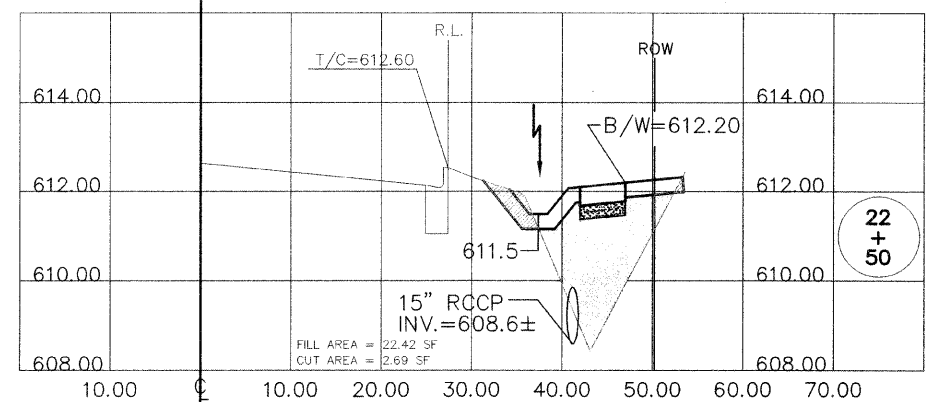
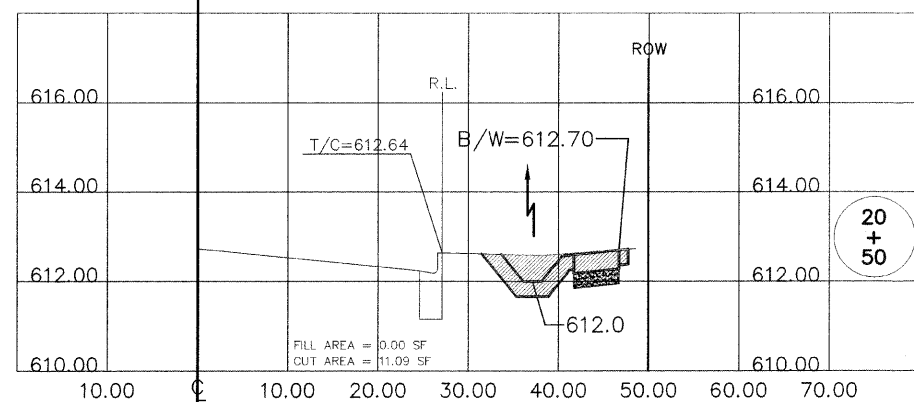
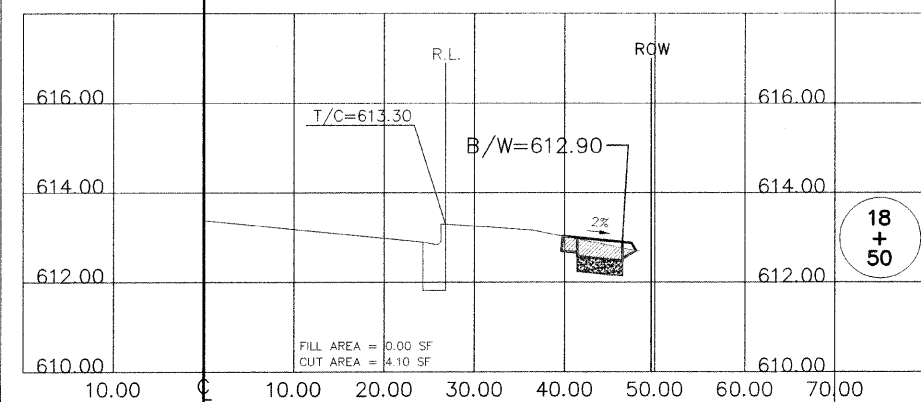
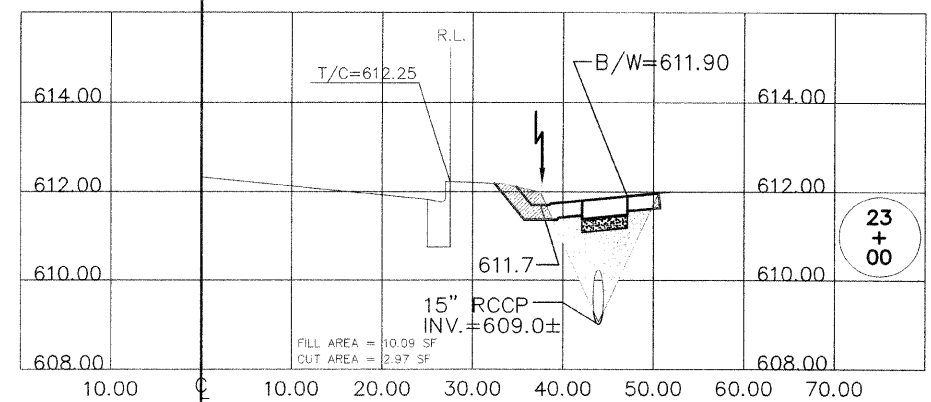
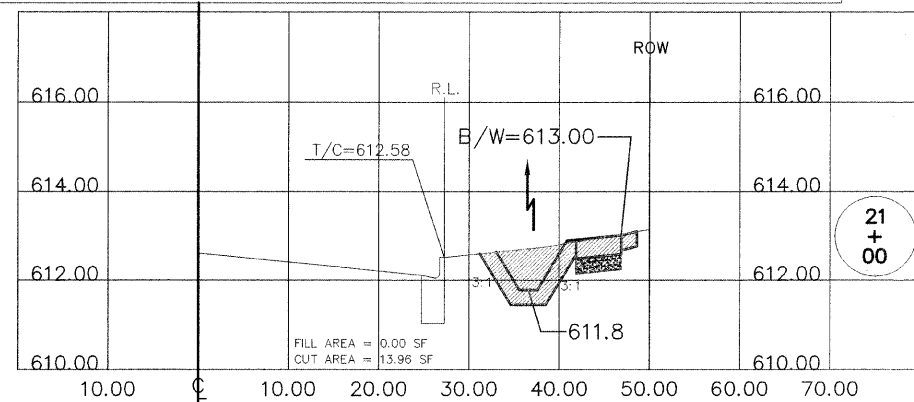
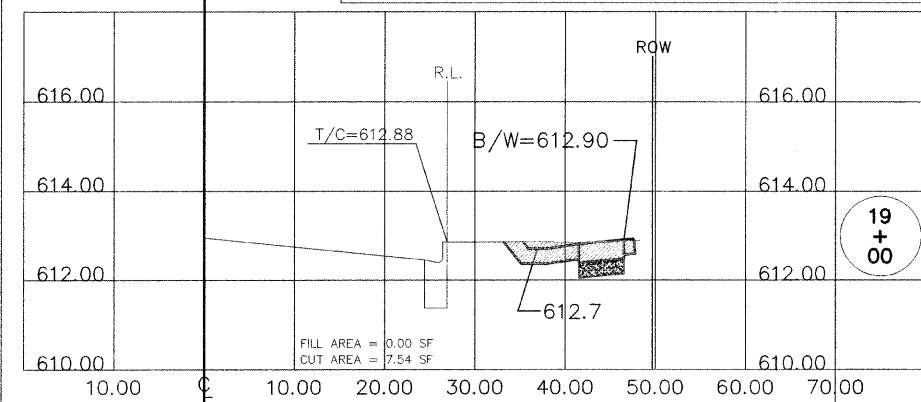


R.L. = REFERENCE LINE THAT RELATES TO THE SIDEWALK OFFSETS INDICATED IN THE PLANS

- NOTES:
 1. ALL SIDEWALKS AND PARKWAYS SHALL BE 2% CROSS SLOPE UNLESS OTHERWISE INDICATED.
 2. DITCH SIDE SLOPES SHALL BE 4:1 UNLESS OTHERWISE INDICATED.
 3. DITCH BOTTOM WIDTH SHALL BE 2 FT. UNLESS OTHERWISE INDICATED.
 4. FLAT AREA ADJACENT TO CURB SHALL BE 1.5 FT. MINIMUM.
 5. FLAT AREA ADJACENT TO SIDEWALK SHALL BE 1.0 FT. MINIMUM.



CUT AREA [Hatched Box]
 FILL AREA [White Box]

FILE NAME = H:\09\09-024\PLANS\KEDZIE AVE_CROSS-SECTIONS.dwg	USER NAME =	DESIGNED -- GGA/JDH	REVISED -- 11/30/09
		DRAWN -- GGA/BKL/BJS	REVISED --
	PLOT SCALE = VERT-1"=2' HORIZ-1"=10'	CHECKED -- MAW	REVISED --
	PLOT DATE = 11/30/09 - 11:16 by JH	DATE --	REVISED --

STATE OF ILLINOIS
 DEPARTMENT OF TRANSPORTATION

KEDZIE AVENUE FROM 153RD ST. TO 159TH ST. SIDEWALK CONSTRUCTION CROSS-SECTIONS		F.A.U. RTE. 2831	SECTION 09-00041-00-SW	COUNTY COOK	TOTAL SHEETS 19	SHEET NO. 12
SCALE: VERT-1"=2' HORIZ-1"=10'		SHEET NO. 12 OF 19 SHEETS		STA. 11+50 TO STA. 17+00	FED. ROAD DIST. NO. 1 ILLINOIS	
				FED. AID PROJECT ARA 9003(395)		

CONTRACT NO. 63421