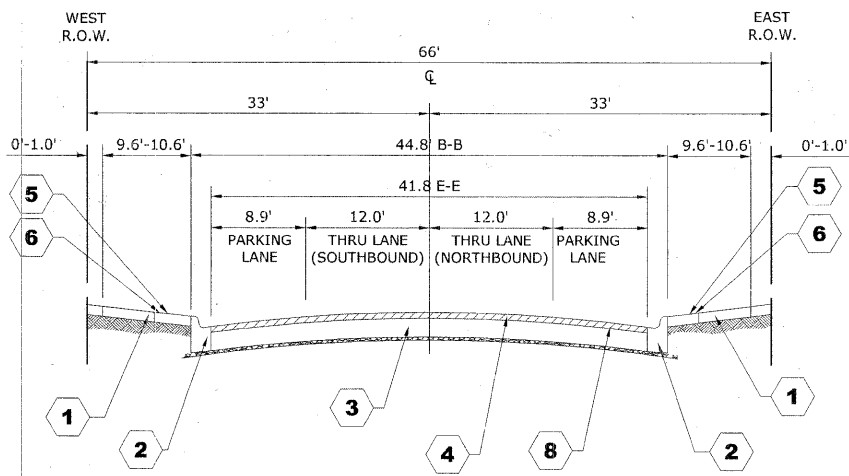


EXISTING TYPICAL CROSS SECTION
ST. CHARLES ROAD
STATION 3+50 TO STATION 58+40



EXISTING TYPICAL CROSS SECTION
19th AVENUE
STATION 7+45 TO STATION 8+50 (SOUTH)
STATION 9+50 TO STATION 10+50 (NORTH)

NOTE:
 **POROUS GRANULAR EMBANKMENT, SUBGRADE (PGES) HAS BEEN PROVIDED FOR USE AT THE LOCATIONS INDICATED FOR SOILS THAT TEND TO BE UNSUITABLE OR UNSTABLE. THE ACTUAL NEED FOR REMOVAL AND REPLACEMENT WITH PGES WILL BE DETERMINED IN THE FIELD AT THE TIME OF CONSTRUCTION BY THE GEOTECHNICAL ENGINEER. ALL POTENTIALLY UNSTABLE SOILS SHOULD BE TESTED WITH A STATIC CONE PENETROMETER AND TREATED IN ACCORDANCE WITH ARTICLE 301.03 AND THE UNDERCUT GUIDELINES IN THE IDOT SUBGRADE STABILITY MANUAL. IF UNSTABLE AND/OR UNSUITABLE MATERIAL IS ENCOUNTERED, THE SOIL SHALL BE REMOVED AND REPLACED WITH PGES OR EMBANKMENT AS DETERMINED BY THE GEOTECHNICAL ENGINEER. IF UNSTABLE AND/OR UNSUITABLE MATERIAL IS NOT ENCOUNTERED, THEN THE QUANTITY SHALL BE DEDUCTED AND NO ADDITIONAL COMPENSATION WILL BE DUE TO THE CONTRACTOR.

**POROUS GRANULAR EMBANKMENT
 SUBGRADE LOCATIONS PER SOIL REPORT**

LOCATION	NORTH SIDE		SOUTH SIDE	
	WIDTH	DEPTH	WIDTH	DEPTH
ST. CHARLES ROAD STA. 3+50 TO STA. 58+40	21.5'	0.75'	21.5'	0.75'

LOCATION	WEST SIDE		EAST SIDE	
	WIDTH	DEPTH	WIDTH	DEPTH
9TH AVENUE (NORTH) STA. 8+26 TO STA. 10+45	19.25'	0.75'	19.25'	0.75'

TYPICAL CROSS SECTION LEGEND

EXISTING CONDITIONS

- 1 PORTLAND CEMENT CONCRETE SIDEWALK, 5"
- 2 COMBINATION CONCRETE CURB AND GUTTER, TYPE B-6.12
- 3 PORTLAND CEMENT CONCRETE BASE COURSE, APPROX. 13.5"
- 4 HOT MIX ASPHALT BINDER AND SURFACE COURSE, APPROX. 2"
- 5 GRASS PARKWAY
- 6 PORTLAND CEMENT CONCRETE PARKWAY
- 7 PAVEMENT REMOVAL, APPROX. 13.5"
- 8 HOT MIX ASPHALT BINDER AND SURFACE COURSE REMOVAL, APPROX. 2"

PROPOSED CONDITIONS

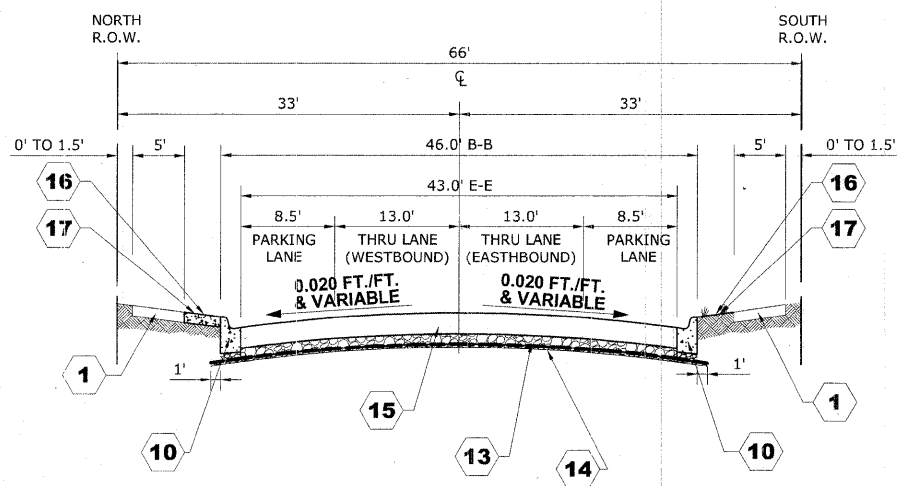
- 9 COMBINATION CONCRETE CURB AND GUTTER, TYPE B-6.12 (MODIFIED)
- 10 COMBINATION CONCRETE CURB AND GUTTER, TYPE B-6.12
- 11 HOT-MIX ASPHALT SURFACE COURSE, MIX D, N70, (IL-9.5mm), 1 1/2"
- 12 LEVELING BINDER (MACHINE METHOD), N70, (IL-9.5mm), MINIMUM 3/4"
- 13 AGGREGATE BASE COURSE, TYPE B, 6"
- 14 BIAXIAL GEOGRID
- 15 PORTLAND CEMENT CONCRETE PAVEMENT, 10" (JOINTED)
- 16 PORTLAND CEMENT CONCRETE SIDEWALK, 5"
- 17 TOPSOIL FURNISH AND PLACE, 4" SODDING

HOT-MIX ASPHALT (HMA) MIXTURE REQUIREMENTS

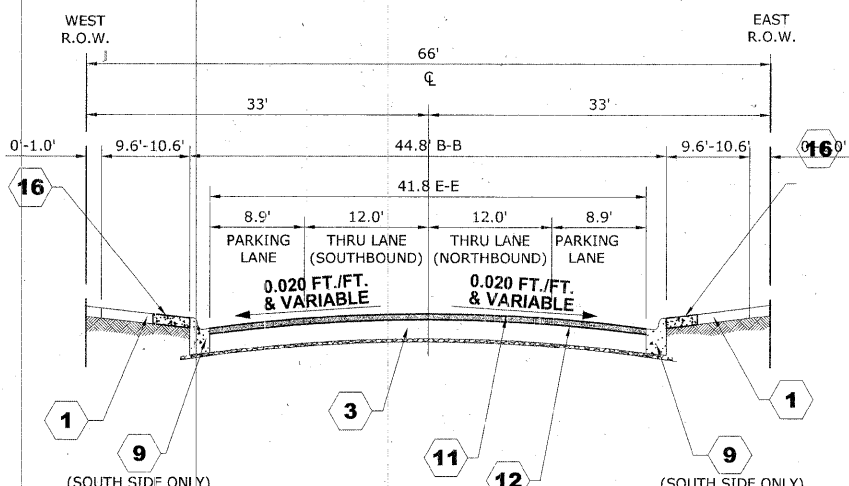
ITEM	AIR VOIDS @ Ndes
RESURFACING -19TH AVE. (NORTH & SOUTH) AND 9TH AVE. (SOUTH)	
LEVELING BINDER (MACHINE METHOD), N70, (IL-9.5mm), 3/4"	4% @ 70 GYR.
HOT-MIX ASPHALT SURFACE COURSE, MIX D, N70, (IL-9.5mm), 1 1/2"	4% @ 70 GYR.
INCIDENTAL HOT-MIX ASPHALT SURFACING, MIX D, N70, (IL-9.5mm)	4% @ 70 GYR.

THE UNIT WEIGHT USED TO CALCULATE ALL HMA SURFACE MIXTURE QUANTITIES IS 112 LBS/SQ YD/IN.

THE "AC TYPE" FOR POLYMERIZED HMA MIXES SHALL BE "SBS/SBR PG 70 -22" AND FOR NON-POLYMERIZED HMA THE "AC TYPE" SHALL BE "PG 64 -22" UNLESS MODIFIED BY DISTRICT ONE SPECIAL PROVISIONS. FOR "PERCENT OF RAP" SEE DISTRICT ONE SPECIAL PROVISIONS.



PROPOSED TYPICAL CROSS SECTION
ST. CHARLES ROAD
STATION 3+50 TO STATION 58+40



PROPOSED TYPICAL CROSS SECTION
19th AVENUE
STATION 7+45 TO STATION 8+50 (SOUTH)
STATION 9+50 TO STATION 10+50 (NORTH)

D:\Projects\5650230 - St. Charles Rd\07_TYPICALS.dwg Dec 23, 2009 8:47am

HANCOCK ENGINEERING
 Civil Engineers
 Municipal Consultants
 Established 1911

USER NAME --	DESIGNED -- MK/SBC	REVISED --
PLOT SCALE --	DRAWN -- MK/LEV	REVISED --
PLOT DATE --	CHECKED -- SBC/JGMV	REVISED --
	DATE -- 11.30.09	REVISED -- IDOT REV. 12-22-09

**STATE OF ILLINOIS
 DEPARTMENT OF TRANSPORTATION**

TYPICAL CROSS SECTIONS

SCALE: NONE SHEET NO. 4 OF 1 SHEETS STA. TO STA.

F.A.U. RTE.	SECTION	COUNTY	TOTAL SHEETS	SHEET NO.
1397	09-00129-00-PV	COOK	103	7

CONTRACT NO. 63428
 FED. ROAD DIST. NO. 1 ILLINOIS FED. AID PROJECT M-9003 (267)