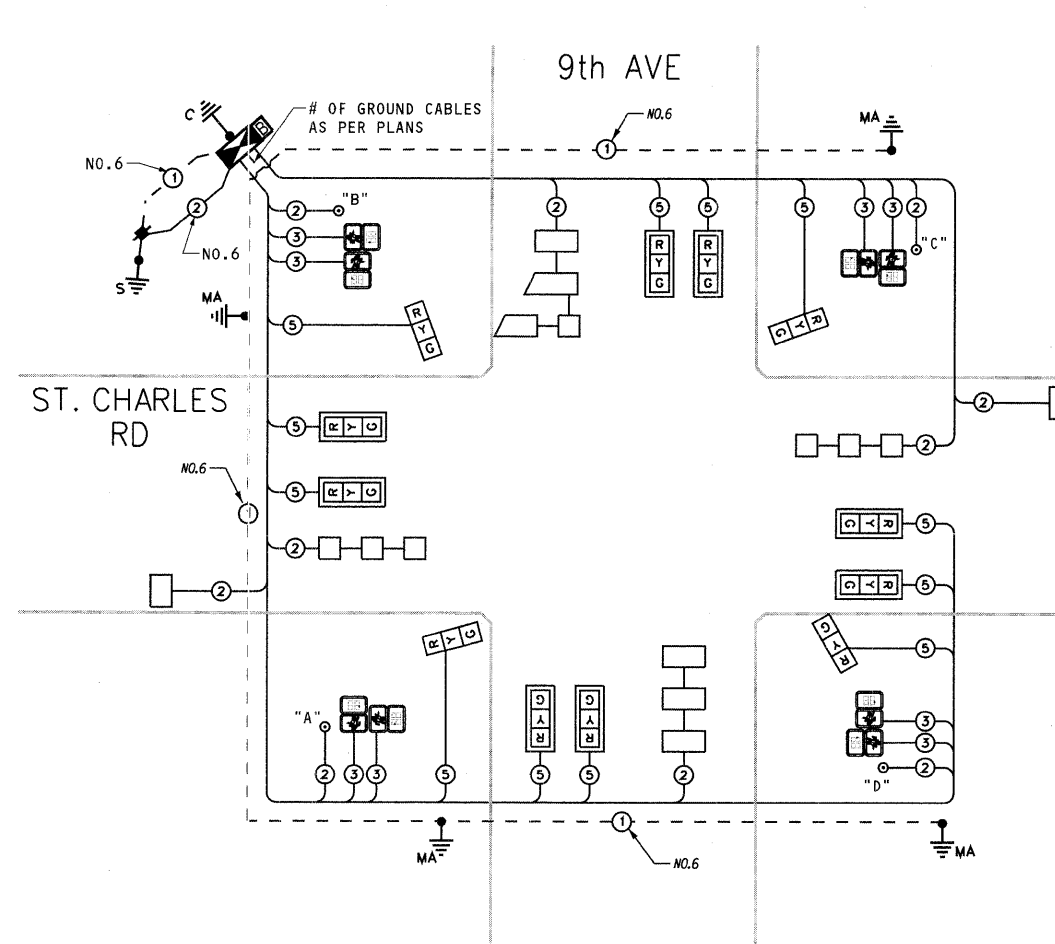


SCHEDULE OF QUANTITIES

QTY	UNIT	DESCRIPTION
30	SQ FT	SIGN PANEL - TYPE 1
1	EACH	SERVICE INSTALLATION, POLE MOUNTED
465	FOOT	CONDUIT IN TRENCH, 2" DIA., GALVANIZED STEEL
42	FOOT	CONDUIT IN TRENCH, 3" DIA., GALVANIZED STEEL
10	FOOT	CONDUIT IN TRENCH, 4" DIA., GALVANIZED STEEL
68	FOOT	CONDUIT PUSHED, 2" DIA., GALVANIZED STEEL
208	FOOT	CONDUIT PUSHED, 4" DIA., GALVANIZED STEEL
6	EACH	HANDHOLE
1	EACH	DOUBLE HANDHOLE
210	FOOT	TRENCH AND BACKFILL FOR ELECTRICAL WORK
1	EACH	FULL-ACTUATED CONTROLLER AND TYPE IV CABINET
374	FOOT	ELECTRIC CABLE IN CONDUIT, GROUNDING, NO. 6 1C
469	FOOT	ELECTRIC CABLE IN CONDUIT, SIGNAL NO. 14 2C
870	FOOT	ELECTRIC CABLE IN CONDUIT, SIGNAL NO. 14 3C
1602	FOOT	ELECTRIC CABLE IN CONDUIT, SIGNAL NO. 14 5C
1270	FOOT	ELECTRIC CABLE IN CONDUIT, LEAD-IN, NO. 14 1 PAIR
50	FOOT	ELECTRIC CABLE IN CONDUIT, SERVICE, NO. 6 2C
2	EACH	STEEL MAST ARM ASSEMBLY AND POLE, 24 FT.
1	EACH	STEEL MAST ARM ASSEMBLY AND POLE, 30 FT.
1	EACH	STEEL MAST ARM ASSEMBLY AND POLE, 40 FT.
4	FOOT	CONCRETE FOUNDATION, TYPE C
60	FOOT	CONCRETE FOUNDATION, TYPE E 30-INCH DIAMETER
8	EACH	SIGNAL HEAD, LED, 1-FACE, 3-SECTION, MAST ARM MOUNTED
4	EACH	SIGNAL HEAD, LED, 1-FACE, 3-SECTION, BRACKET MOUNTED
4	EACH	PEDESTRIAN SIGNAL HEAD, LED, 2-FACE, BRACKET MOUNTED WITH COUNTDOWN TIMER
8	EACH	TRAFFIC SIGNAL BACKPLATE, LOUVERED, ALUMINUM
6	EACH	INDUCTIVE LOOP DETECTOR
621	FOOT	DETECTOR LOOP, TYPE I
4	EACH	PEDESTRIAN PUSH-BUTTON
1	EACH	TEMPORARY TRAFFIC SIGNAL INSTALLATION
1	EACH	REMOVE EXISTING TRAFFIC SIGNAL EQUIPMENT
6	EACH	REMOVE EXISTING HANDHOLE
8	EACH	REMOVE EXISTING CONCRETE FOUNDATION
1	EACH	UNINTERRUPTABLE POWER SUPPLY
1	EACH	TEMPORARY TRAFFIC SIGNAL TIMING

PROPOSED CABLE PLAN

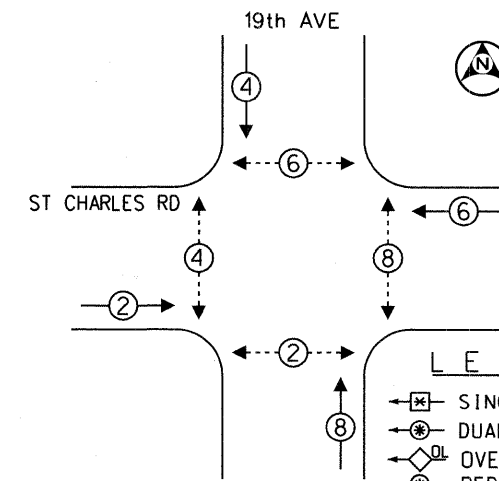


NOTE:
 PUSHBUTTON "A" SHALL PLACE A CALL IN PHASES 2 AND 4
 PUSHBUTTON "B" SHALL PLACE A CALL IN PHASES 4 AND 6
 PUSHBUTTON "C" SHALL PLACE A CALL IN PHASES 6 AND 8
 PUSHBUTTON "D" SHALL PLACE A CALL IN PHASES 2 AND 8

CABLE PLAN LEGEND

EXISTING	PROPOSED	DESCRIPTION
□	□	8" (200mm) TRAFFIC SIGNAL SECTION
□	□	12" (300mm) TRAFFIC SIGNAL SECTION
□	□	12" (300mm) PEDESTRIAN SIGNAL SECTION
□	□	12" PEDESTRIAN SIGNAL WITH COUNTDOWN TIMER
□	□	CONTROLLER CABINET
□	□	SERVICE INSTALLATION
□	□	TELEPHONE CONNECTION
□	□	VEHICLE DETECTOR, INDUCTION LOOP
□	□	MAGNETIC DETECTOR
□	□	EMERGENCY VEHICLE LIGHT DETECTOR
□	□	CONFIRMATION BEACON
□	□	PUSHBUTTON DETECTOR
□	□	DENOTES NUMBER OF CONDUCTORS.
□	□	ALL CABLE NO. 14 EXCEPT AS INDICATED.
□	□	ALL LOOP DETECTOR CABLE TO BE SHIELDED.
□	□	GROUND CABLE IN CONDUIT, NO. 6 SOLID COPPER (GREEN)
□	□	NO. 62.5/125 MM 12F & SM 12F, FIBER OPTIC CABLE
□	□	SIGNAL FACE WITH BACKPLATE
□	□	"P" INDICATES PROGRAMMED HEAD
□	□	RAILROAD CONTROL CABINET
□	□	ILLUMINATED SIGN, L.E.D. "NO LEFT TURN"
□	□	ILLUMINATED SIGN, L.E.D. "NO RIGHT TURN"
□	□	GROUND ROD AT HANDHOLE (H), DOUBLE HANDHOLE (H) OR CONTROLLER (C)
□	□	GROUND ROD AT POST (P) OR MAST ARM POLE (MA)
□	□	GROUND ROD AT ELECTRIC SERVICE INSTALLATION
□	□	UNINTERRUPTABLE POWER SUPPLY (BATTERY BACKUP)

PROPOSED CONTROLLER SEQUENCE



LEGEND

□	SINGLE ENTRY PHASE
□	DUAL ENTRY PHASE
□	OVERLAP
□	PEDESTRIAN PHASE
*	NUMBER REFERS TO ASSOCIATED PHASE.

PHASE DESIGNATION DIAGRAM

I.D.O.T. TRAFFIC SIGNAL INSTALLATION ELECTRICAL SERVICE REQUIREMENTS					TOTAL WATTAGE
TYPE	NO. OF LAMPS	WATTAGE	INCAND	LED % OPERATIONS	
SIGNAL (RED)	12	135	17	0.50	102
(YELLOW)	12	135	25	0.25	75
(GREEN)	12	135	15	0.25	45
ARROW		135	12	0.10	
PED. SIGNAL	8	90	25	1.00	200
CONTROLLER	1	100	100	1.00	100
ILLUM. SIGN		84		0.05	
FLASHER				0.50	
TOTAL =					522

ENERGY COSTS TO: VILLAGE OF MAYWOOD
 40 E. MADISON ST.
 MAYWOOD, ILLINOIS 60153
 (708) 344-1200

ENERGY SUPPLY - CONTACT: MICHAEL BELL
 PHONE: (708) 410-5314
 COMPANY: COMED

FOUNDATION (DEPTH)	FT. (m)	CABLE SLACK	FT. (m)	VERTICAL	FT. (m)
TYPE A - POST	4 (1.2)	HANDHOLE	6.5 (2.0)	ALL FOUNDATIONS	3.5 (1.1)
C - CONTROLLER	4 (1.2)	DOUBLE HANDHOLE	13 (4.0)	MAST ARM (L) POLE	20'±L-2 = (6.1+L-1.0)
D - CONTROLLER	4 (1.2)	SIGNAL POST	2 (1.0)	BRACKET MOUNTED	13 (4.0)
E - M ARM POLE		CONTROLLER CAB.	1 (0.5)	PED. PUSHBUTTON	4 (1.2)
24" (600mm)	10 (3.0)	FIBER OPTIC	13 (4.0)	ELECTRIC SERVICE	13.5 (4.1)
30" (750mm)	15 (4.6)	ELECTRIC SERVICE	1 (0.5)	SERVICE TO GROUND	13.5 (4.1)
36" (900mm)	15 (4.6)	GROUND CABLE	1 (0.5)	POST MOUNTED	6 (1.8)



USER NAME -
 DESIGNED - DAP
 DRAWN - DAP
 CHECKED - JAM
 PLOT DATE -
 DATE - 11-30-09
 REVISED -
 REVISED -
 REVISED -
 REVISED -

**STATE OF ILLINOIS
 DEPARTMENT OF TRANSPORTATION**

**CABLE PLAN, PHASE DESIGNATION DIAGRAM AND
 SCHEDULE OF QUANTITIES**
 9th AVE & ST. CHARLES RD, MAYWOOD, IL

PREPARED BY:
METRO TRANSPORTATION GROUP, INC.
 TRAFFIC ENGINEERING, TRANSPORTATION PLANNING,
 TRANSPORTATION ENGINEERING, SIGNAL SYSTEMS/DESIGN
 3100 W. HIGGINS ROAD, HOFFMAN ESTATES, IL 60169
 PH# 630 213-1000 FAX# 630 213-3227

F.A.U. RTE.	SECTION	COUNTY	TOTAL SHEETS	SHEET NO.
1397	09-00129-00-PV	COOK	103	82
CONTRACT NO. 63428			M-9003 (267)	