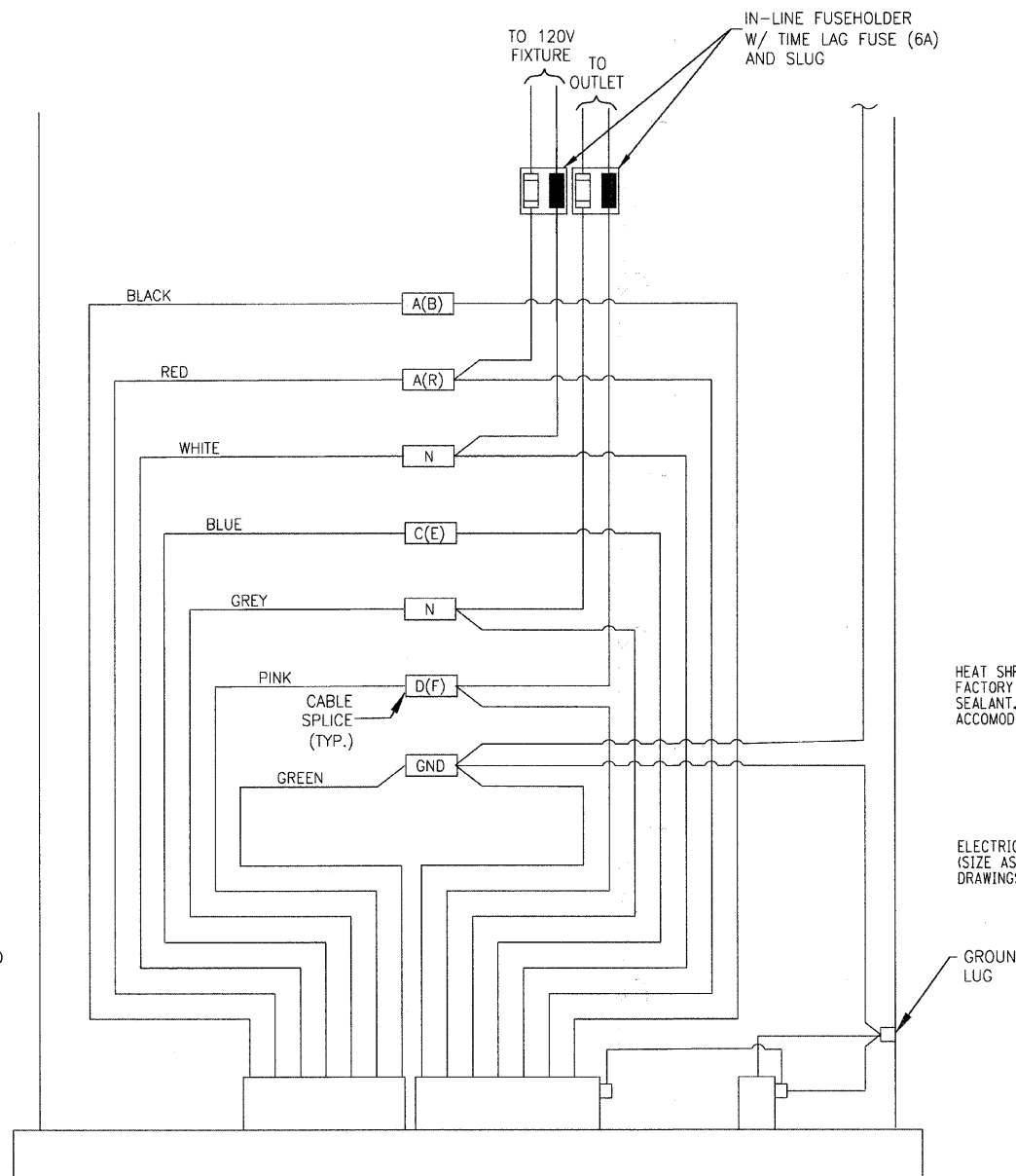


240V POLE BASE WIRING DETAIL

NO SCALE

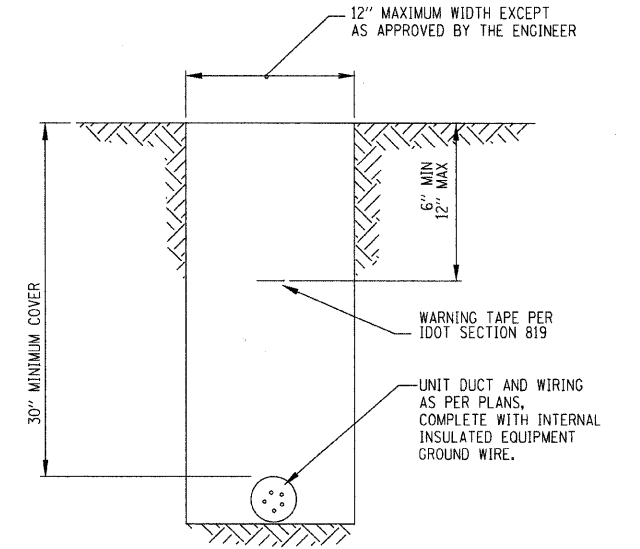
NOTE: ALTERNATE PHASE CIRCUITING OF FESTOONS AS SHOWN ON SINGLE LINE DIAGRAM (SHTS. 13 & 14).



120V POLE BASE WIRING DETAIL

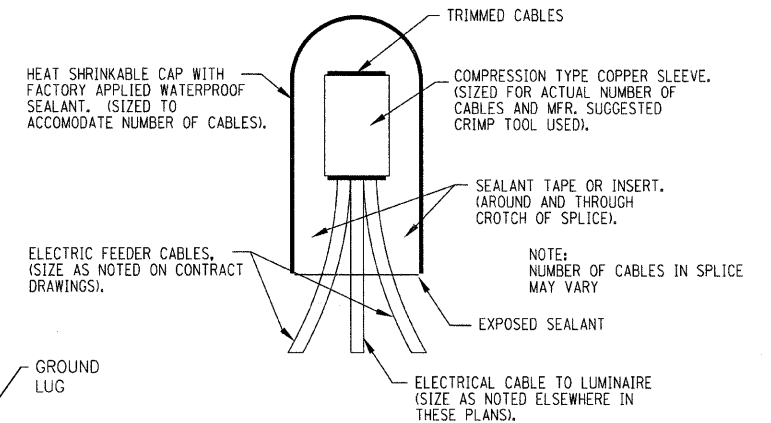
NO SCALE

NOTE: ALTERNATE PHASE CIRCUITING OF FESTOONS AND LUMINAIRES AS SHOWN ON SINGLE LINE DIAGRAM (SHTS. 13 & 14).



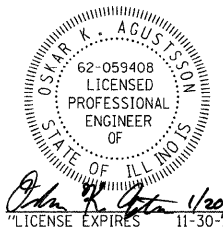
TYPICAL WIRING IN TRENCH DETAIL

NO SCALE



**SPlicing ELECTRICAL CABLES
BASIC MATERIALS AND METHODS**

NO SCALE



COPYRIGHT © 2009 BY BAXTER & WOODMAN, INC.
 STATE OF ILLINOIS - PROFESSIONAL DESIGN FIRM
 LICENSE NO. 084-000191 - EXPIRES 4/30/2011
 1720/2010



DESIGNED - OKA	REVISED - IDOT REVIEW 11/23/09
DRAWN - MAC	REVISED -
CHECKED - OKA	REVISED -
DATE - 10-16-2009	FILE - 091028-SL-details-1.sht

**VILLAGE OF SKOKIE, ILLINOIS
U.S. ROUTE 41 (SKOKIE BOULEVARD)
STREETSCAPE IMPROVEMENTS**

STREET LIGHTING DETAILS

SCALE: NONE

STA. TO STA.

F.A.P. RTE.	SECTION	COUNTY	TOTAL SHEETS	SHEET NO.
350	09-00283-00-LS	COOK	27	19
C-91-285-10		CONTRACT NO. 63430		
FED. ROAD DIST. NO. 1 ILLINOIS FED. AID PROJECT ARA-9003547				