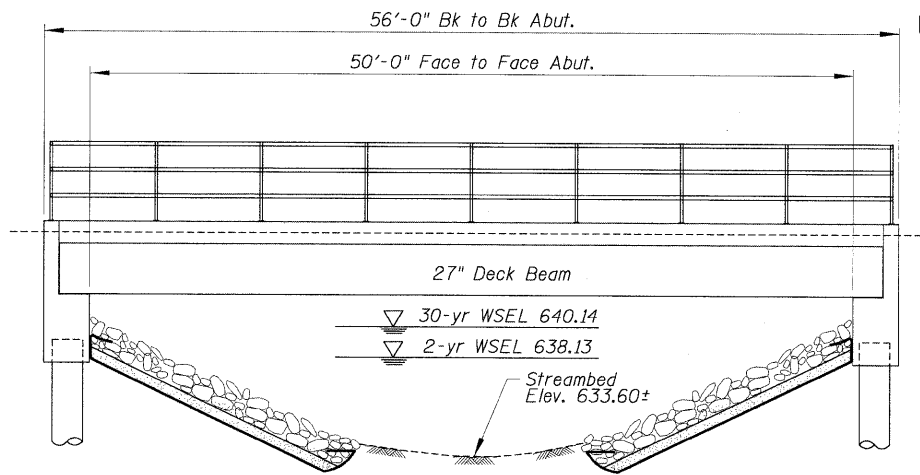
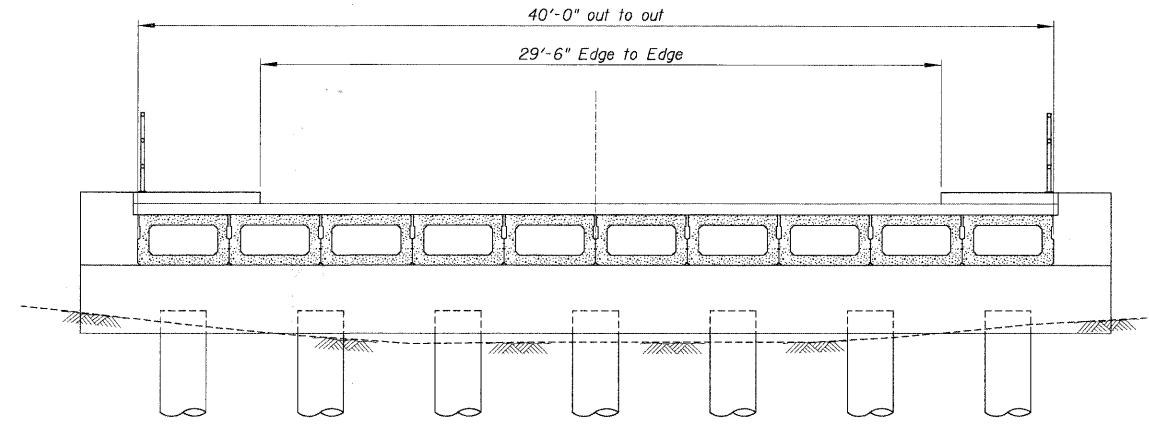


STATE OF ILLINOIS
DEPARTMENT OF TRANSPORTATION



ELEVATION



CROSS SECTION

LOADING H15

DESIGN SPECIFICATIONS

2002 AASHTO Bridge Design Specifications

DESIGN STRESSES

FIELD UNITS

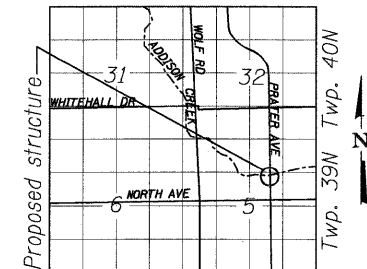
Reinforced Concrete:
f'c = 3,000 psi (Existing)

Reinforcement:
fy = 40 ksi (Existing)

SEISMIC DATA

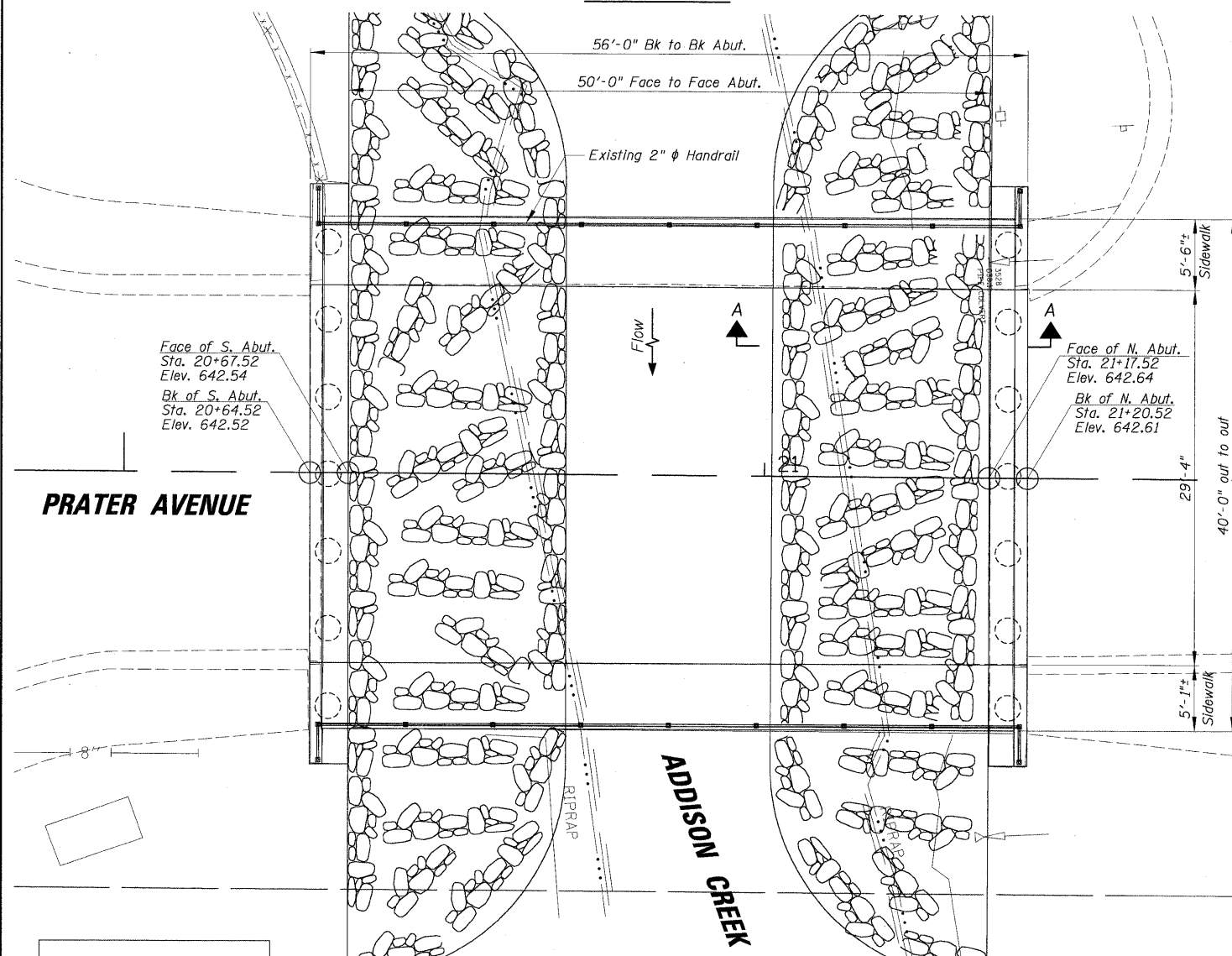
Seismic Performance Zone (SPZ) = A
Horizontal Bedrock Acceleration Coefficient (A) = 0.036g
Site Coefficient (S) = 1.2

Range 12E - 3rd PM



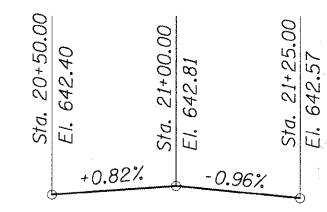
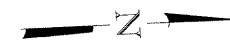
LOCATION SKETCH

GENERAL PLAN
PRATER AVENUE OVER
ADDISON CREEK
SECTION 09-00071-00-BR
COOK COUNTY
STATION
STRUCTURE No. 016-7610

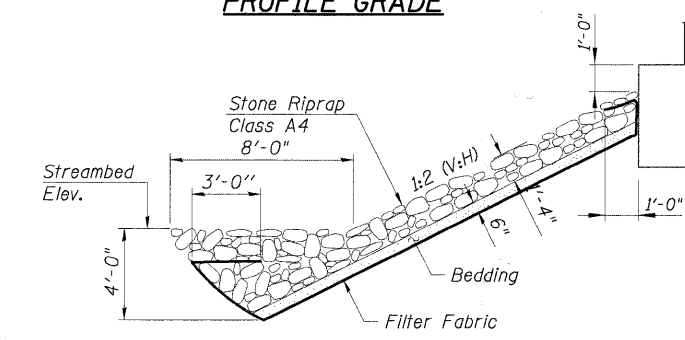


PLAN

NOTE: See Sheet 10 For Erosion Control And Staging Details.



PROFILE GRADE



SECTION A-A

TOTAL BILL OF MATERIAL

ITEM	UNIT	SUPER	SUB	TOTAL
Stone Riprap, Class A4	Sq Yd		275	275
Filter Fabric	Sq Yd		295	295

WATERWAY INFORMATION

Ex. Low Beam 639.69 @ 21+17.52 Ex. Low Grade 642.54 @ 20+67.52 Drainage Area = 8.22 mi²
Prop. Low Beam Elev. 639.69 @ 21+17.52 Prop. Low Grade Elev. 642.54 @ 20+67.52

Flood	Freq. Yr.	q cfs	Opening ft ²		Nat. H.W.E.	Head - ft		Headwater El.	
			Exist.	Prop.		Exist.	Prop.	Exist.	Prop.
Design	30	352	230	230	640.14	0.01	0.01	640.15	640.15
	50	380	252	252	640.57	0.01	0.01	640.58	640.58
Base	100	505	276	276	641.01	0.02	0.02	641.03	641.03
Max. Calc.	500	860	324	324	641.85	0.06	0.06	641.91	641.91

DESIGN SCOUR ELEVATION TABLE

Flood Frequency/ Depth Elevation	North Abut.	South Abut.
100 year/ Scour Depth Elevation (ft.)	631.2	632.6
500 year/ Scour Depth Elevation (ft.)	628.6	631.2

SHEET NO. S-1 SHEETS	F.A. RTE.	SECTION	COUNTY	TOTAL SHEETS	SHEET NO.
			09-00071-00-BR	COOK	31
CONTRACT NO. 63437					
FED. ROAD DIST. NO. ILLINOIS FED. AID PROJECT					

DESIGNED -	EXAMINED -
CHECKED -	PASSED -
DRAWN -	
CHECKED -	