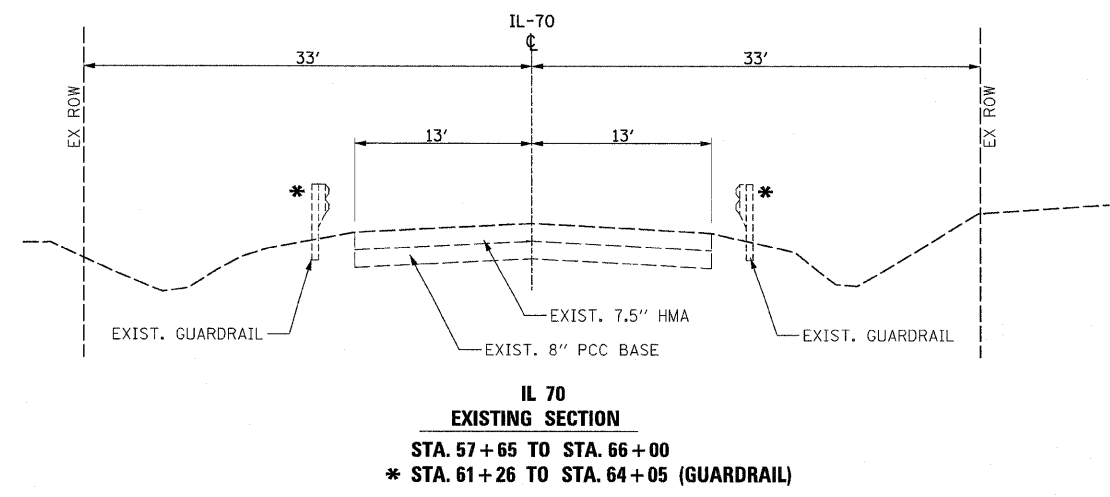


- LEGEND**
- ① NOT USED
 - ② COMB. CONCRETE CURB & GUTTER, TYPE B-6.24
 - ③ HMA SURFACE COURSE, MIX "D", N50 (2")
 - ④ HMA BINDER COURSE, IL 19.0, N50 (10.25")
 - ⑤ SUBBASE GRANULAR MATERIAL, TYPE A (24")
 - ⑥ STEEL PLATE BEAM GUARDRAIL
 - ⑦ SEEDING, FERTILIZER AND EROSION CONTROL BLANKET
 - ⑧ SEEDING, FERTILIZER AND MULCH, METHOD 2
 - ⑨ BITUMINOUS MATERIALS (PRIME COAT) (INCLUDED IN COST OF SURFACE COURSE)
 - ⑩ CA6-CA10 (COST INCLUDED IN SUB-BASE GRANULAR MATERIAL, TYPE A)



FILE NAME = H:\Projects\2944\DCNS\206207TYP1.dgn	USER NAME = *USER*	DESIGNED -	REVISED -
		DRAWN -	REVISED -
	PLDT SCALE = 6.667' / IN.	CHECKED -	REVISED -
	PLDT DATE = 11/30/2009	DATE = 11/30/2009	REVISED -

STATE OF ILLINOIS
DEPARTMENT OF TRANSPORTATION

IL 70 OVER OTTER CREEK
TYPICAL SECTION

SCALE: NONE SHEET NO. 1 OF 1 SHEETS STA. N/A TO STA. N/A

HOH		HARRY O. HEFFER ASSOCIATES, INC. DESIGN AND CONSULTING ENGINEERS		55 East Jackson Blvd. Suite 800 Chicago, IL 60604 312-467-9131		PROJECT NUMBER 2944	
F.A.P. RTE. 55	SECTION (W-1-15d)BR-1	COUNTY WINNEBAGO	TOTAL SHEETS 59	SHEET NO. 10		CONTRACT NO. 64D22	
FED. ROAD DIST. NO.		ILLINOIS FED. AID PROJECT					