

IL ROUTE 70 MAINTENANCE OF TRAFFIC NOTES

PRE-STAGE

EXISTING: ONE LANE IN EACH DIRECTION

PROPOSED: ONE LANE IN EACH DIRECTION

TRAFFIC CONTROL AND PROTECTION
INSTALL IDOT STANDARD 701326

INSTALL TEMPORARY PAVEMENT ON EASTBOUND AND WESTBOUND LANES.

STAGE 1

EXISTING: ONE LANE IN EACH DIRECTION

PROPOSED: ONE LANE, ONE WAY TRAFFIC IN CONSTRUCTION AREA CONTROLLED BY IDOT STANDARD 701201.

TRAFFIC CONTROL AND PROTECTION
1. INSTALL TEMPORARY TRAFFIC CONTROL DEVICES ACCORDING TO IDOT STANDARD 701321.
2. INSTALL ADVANCE WARNING SIGNS ALONG SOUTH ST.
3. INSTALL TEMPORARY PAVEMENT MARKINGS, INFORMATIONAL WARNING SIGNS (D2 STD. 39.2), DRIVEWAY STAGING SIGNS (D2 STD. 75.2) AND STOP LINE FOR TEMPORARY SIGNALS (D2 STD. 99.4).
4. SHIFT IL 70 TRAFFIC TO THE EAST SIDE OF THE EXISTING BRIDGE (SEE BRIDGE PLAN FOR DETAILS)

CONSTRUCTION
1. REMOVE WEST 15' OF EXISTING BRIDGE AND APPROACH PAVEMENT AS REQUIRED.
2. CONSTRUCT WEST 15' OF PROPOSED BRIDGE AND ROADWAY PAVEMENT AS REQUIRED.
3. CONSTRUCT CURB & GUTTER ON WEST SIDE OF ROADWAY (EXCLUDING INLETS)
3. CONSTRUCT PROPOSED GUARDRAIL ALONG WEST SIDE OF ROADWAY.
4. EXISTING DRIVEWAY ACCESS SHALL BE MAINTAINED BY THE CONTRACTOR WITHIN THE WORK ZONE USING TEMPORARY AGGREGATE.

SHIFT TEMPORARY TRAFFIC CONTROL DEVICES (IE STRIPING, BARRIERS AND ATTENUATORS)

STAGE 2

EXISTING: ONE LANE, ONE WAY TRAFFIC IN CONSTRUCTION AREA CONTROLLED BY TEMPORARY TRAFFIC SIGNAL AND IDOT STANDARD 701321

PROPOSED: ONE LANE, ONE WAY TRAFFIC IN CONSTRUCTION AREA CONTROLLED BY TEMPORARY TRAFFIC SIGNAL AND IDOT STANDARD 701321.

TRAFFIC CONTROL AND PROTECTION
1. REMOVE AND REINSTALL TEMPORARY TRAFFIC CONTROL DEVICES AND SIGNS USING IDOT STANDARD 701321 FOR TRAFFIC RELOCATION. PAY ITEM AND SPEC STIPULATES RELOCATION OF STANDARD 701321 AS INCIDENTAL AND INCLUDED IN EACH FOR STAGE 1.
2. INSTALL DRIVEWAY STAGING SIGNS (D2 STANDARD 39.2)

CONSTRUCTION
1. REMOVE EAST 15' OF EXISTING BRIDGE AND APPROACH PAVEMENT AS REQUIRED.
2. CONSTRUCT EAST 27' OF PROPOSED BRIDGE AND ROADWAY PAVEMENT AS REQUIRED.
3. CONSTRUCT CURB & GUTTER ON EAST SIDE OF ROADWAY.
4. CONSTRUCT BIKE TRAIL EMBANKMENT ALONG EAST PARKWAY.
5. CONSTRUCT PROPOSED GUARDRAIL ALONG EAST SIDE OF ROADWAY.
6. EXISTING DRIVEWAY ACCESS SHALL BE MAINTAINED BY THE CONTRACTOR WITHIN THE WORK ZONE USING TEMPORARY AGGREGATE.

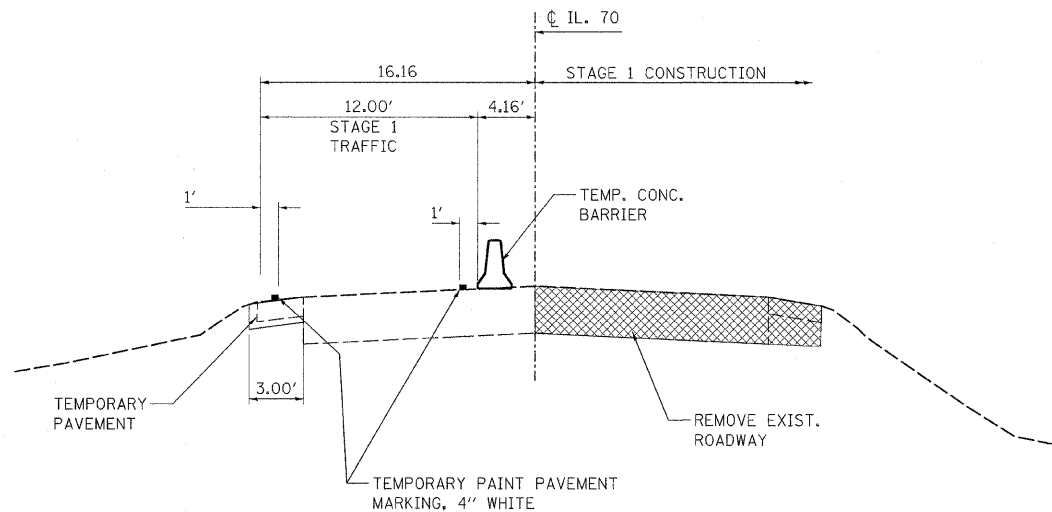
REMOVE STANDARD 701321

STAGE 3

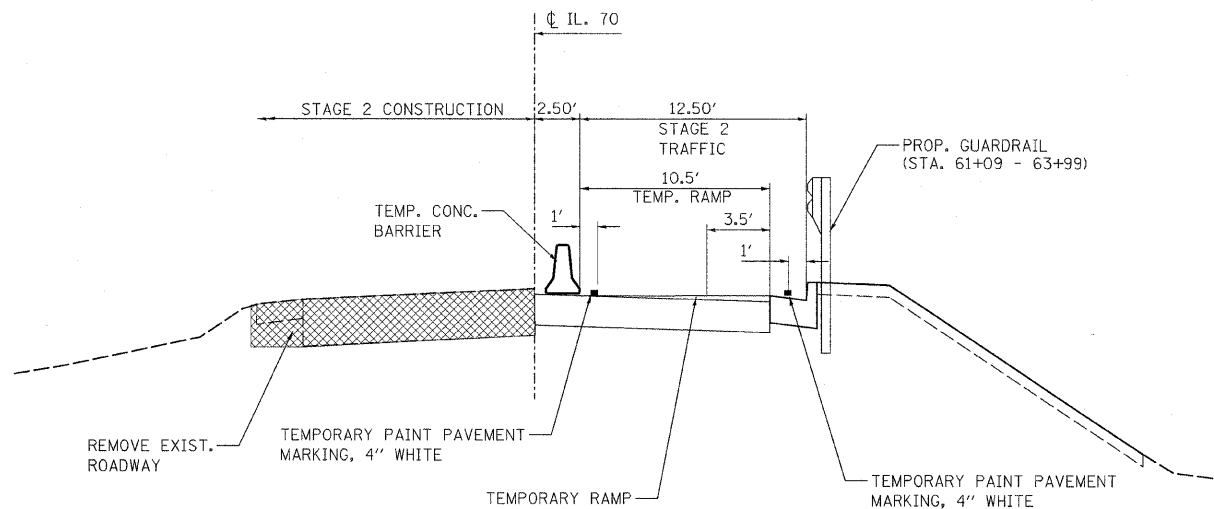
EXISTING: ONE LANE, ONE WAY TRAFFIC IN CONSTRUCTION AREA CONTROLLED BY TRAFFIC SIGNAL.

PROPOSED: ONE LANE IN EACH DIRECTION

TRAFFIC CONTROL AND PROTECTION
1. INSTALL IDOT STANDARD 701501.
CONSTRUCTION
1. PLACE SURFACE COURSE.
2. INSTALL PERMANENT PAVEMENT MARKINGS ON ROADWAY AND BRIDGE.
3. CONSTRUCT INLETS ON EAST SIDE OF ROADWAY.
4. PERFORM LANDSCAPING OPERATIONS.



**TYPICAL SECTION
STAGE 1**



**TYPICAL SECTION
STAGE 2**

FILE NAME = H:\Projects\2944\DCNS\205207MOT1.dgn	USER NAME = #USER#	DESIGNED - AAF	REVISED -
		DRAWN - AAF	REVISED -
	PLOT SCALE = 5.0000' / IN.	CHECKED - BAP	REVISED -
	PLOT DATE = 11/30/2009	DATE - 11/30/2009	REVISED -

**STATE OF ILLINOIS
DEPARTMENT OF TRANSPORTATION**

**IL ROUTE 70 OVER OTTER CREEK
MAINTENANCE OF TRAFFIC NOTES**

SCALE: NONE SHEET NO. 1 OF 2 SHEETS STA. N/A TO STA. N/A

HOH		HARRY O. HESTER ASSOCIATES, INC. DESIGN AND CONSULTING ENGINEERS		55 East Jackson Blvd. Suite 800 Chicago, IL 60604 312-567-8131	PROJECT NUMBER 2944
F.A.P. RTE. 55	SECTION (W-1-15)BR-1	COUNTY WINNEBAGO	TOTAL SHEETS 59	SHEET NO. 16	
FED. ROAD DIST. NO. ILLINOIS FED. AID PROJECT			CONTRACT NO. 64D22		