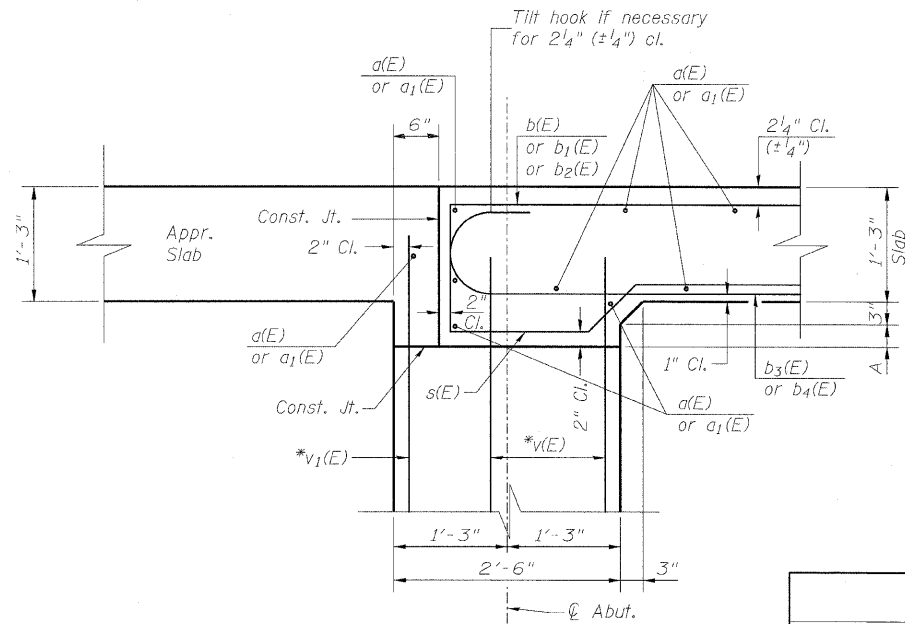


STATE OF ILLINOIS
DEPARTMENT OF TRANSPORTATION

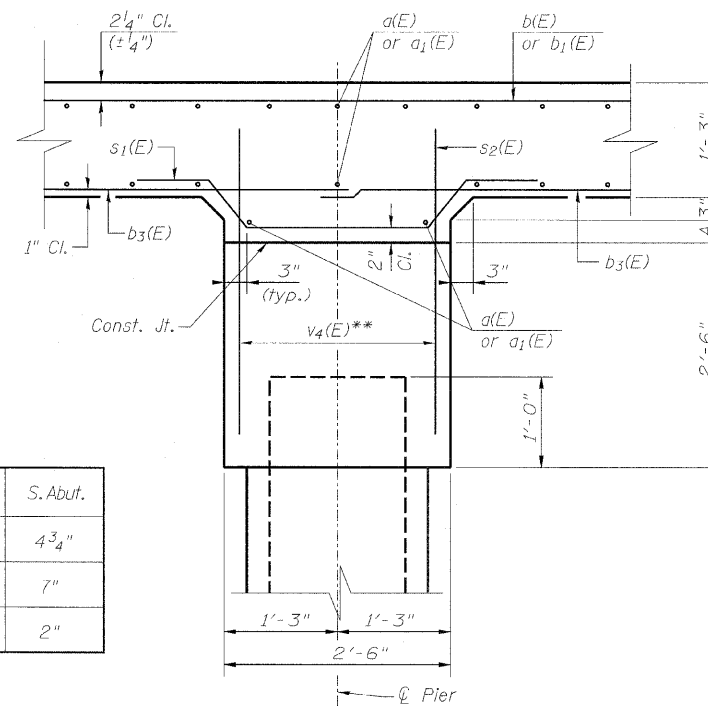


SECTION A-A

*v(E) and v1(E) bars billed with abutments,
See sheet 15 of 21.

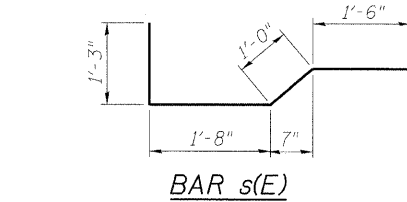
DIMENSION "A"

	N. Abut.	Pier	S. Abut.
West edge of Bridge	4 ⁷ / ₈ "	4 ⁷ / ₈ "	4 ³ / ₄ "
℄ Roadway & P.G.	7 ¹ / ₈ "	7 ¹ / ₈ "	7"
East edge of Bridge	2"	2"	2"

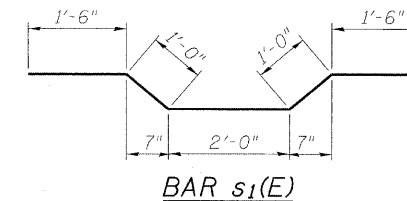


SECTION B-B

**v4(E) bars billed with pier,
See sheet 17 of 21.



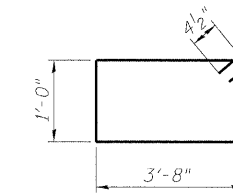
BAR s(E)



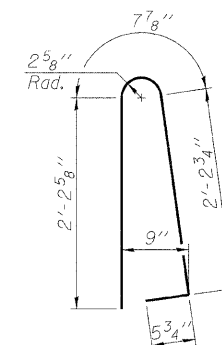
BAR s1(E)



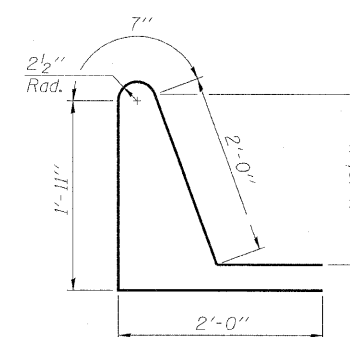
BAR s2(E)



BAR s3(E)



BAR d(E)



BAR d1(E)

SUPERSTRUCTURE
BILL OF MATERIAL

Bar	No.	Size	Length	Shape
a(E)	122	#5	26'-10"	—
a1(E)	122	#5	16'-3"	—
a2(E)	90	#6	6'-0"	—
b(E)	49	#9	24'-4"	—
b1(E)	47	#9	30'-8"	—
b2(E)	94	#5	19'-5"	—
b3(E)	84	#9	33'-7"	—
b4(E)	80	#9	23'-9"	—
d(E)	148	#5	5'-7"	⌋
d1(E)	148	#5	7'-8"	⌋
e(E)	56	#4	16'-3"	—
e1(E)	4	#8	32'-11"	—
e2(E)	4	#4	32'-11"	—
s(E)	90	#4	5'-5"	U
s1(E)	45	#4	7'-0"	U
s2(E)	45	#4	5'-2"	U
s3(E)	84	#4	10'-1"	U
Reinforcement Bars, Epoxy Coated			Pound	37,550
Concrete Superstructure			Cu. Yds.	165.4

Bars indicated thus 1 x 3-#5 etc. indicates
1 line of bars with 3 lengths per line.
For Bar Splacers see Sheet 18 of 21.

DESIGNED	MMH
CHECKED	RAD
DRAWN	R.VEJAR
CHECKED	RAD

HOH ENGINEERS, INC.
56 E. Jackson Blvd.
Chicago, Illinois 60604
312.348.8151
PROJECT # 2945

SUPERSTRUCTURE DETAILS
SHEET 2
STRUCTURE NO. 101-0191

SHEET NO. 13	F.A.S. RTE.	SECTION	COUNTY	TOTAL SHEETS	SHEET NO.
21 SHEETS	55	(W-1-15d)BR-1	WINNEBAGO	59	33
FED. ROAD DIST. NO.			ILLINOIS	FED. AID PROJECT	
			CONTRACT NO. 64D22		